

traces

tracestones

*traces arricchisce la materia ceramica di una forte carica espressiva
e regala unicità di stile a progetti di interior design*

*traces enriches the ceramic surface with a sophisticated charme
giving to interior design a unique style*



pearl



papyrus



ecrù



mahogany



charcoal

traces of

surfaces



satin

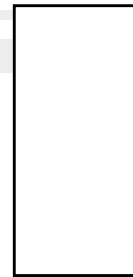


polished

sizes



60•120



45•90



30•60



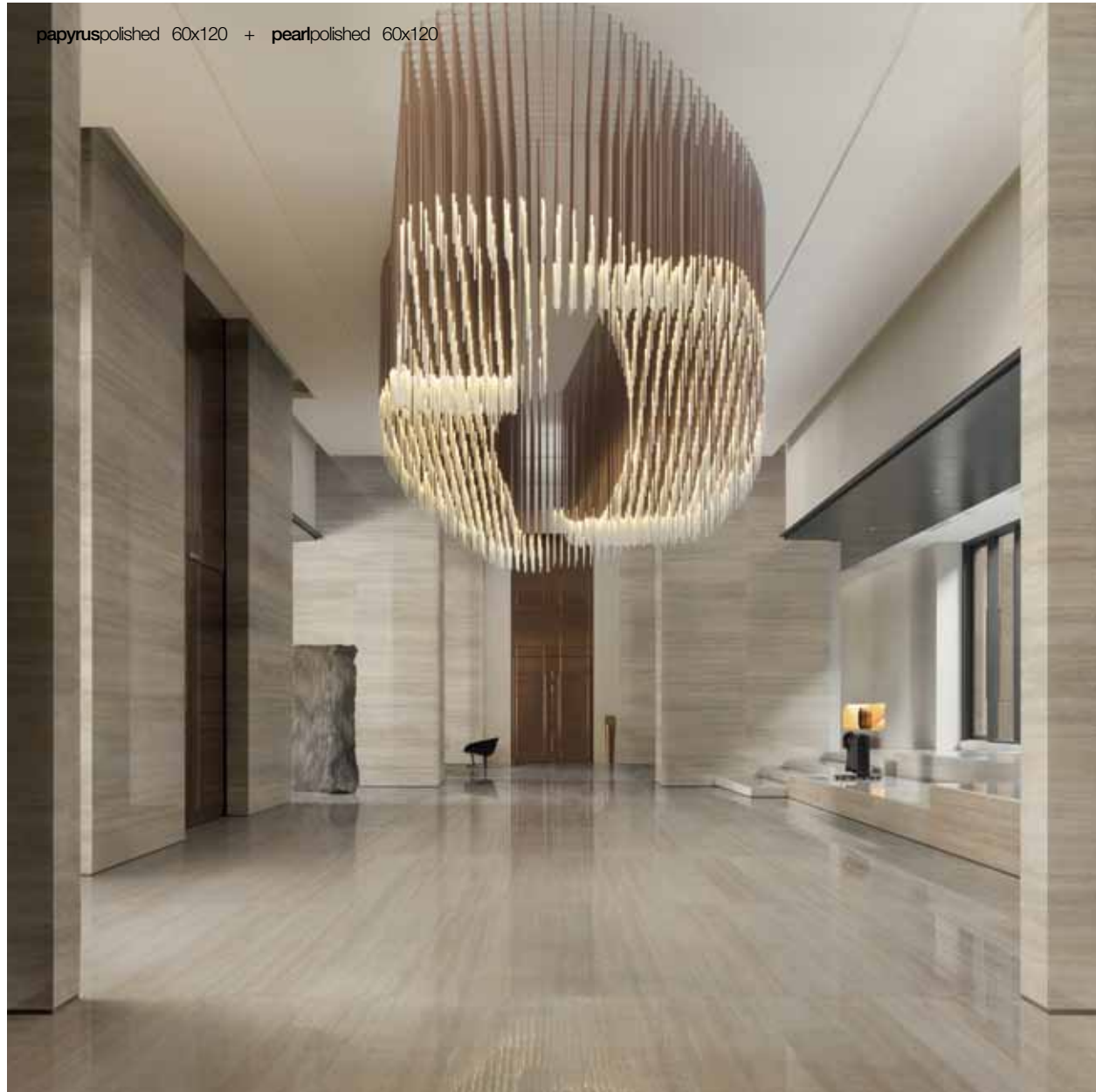
7.5•15

tracesmood

*traces trasforma le superfici che riveste
in scenari di grande personalità ed eleganza*

*traces bring to life sophisticated textures,
showing scenarios of strong identity and fine elegance*



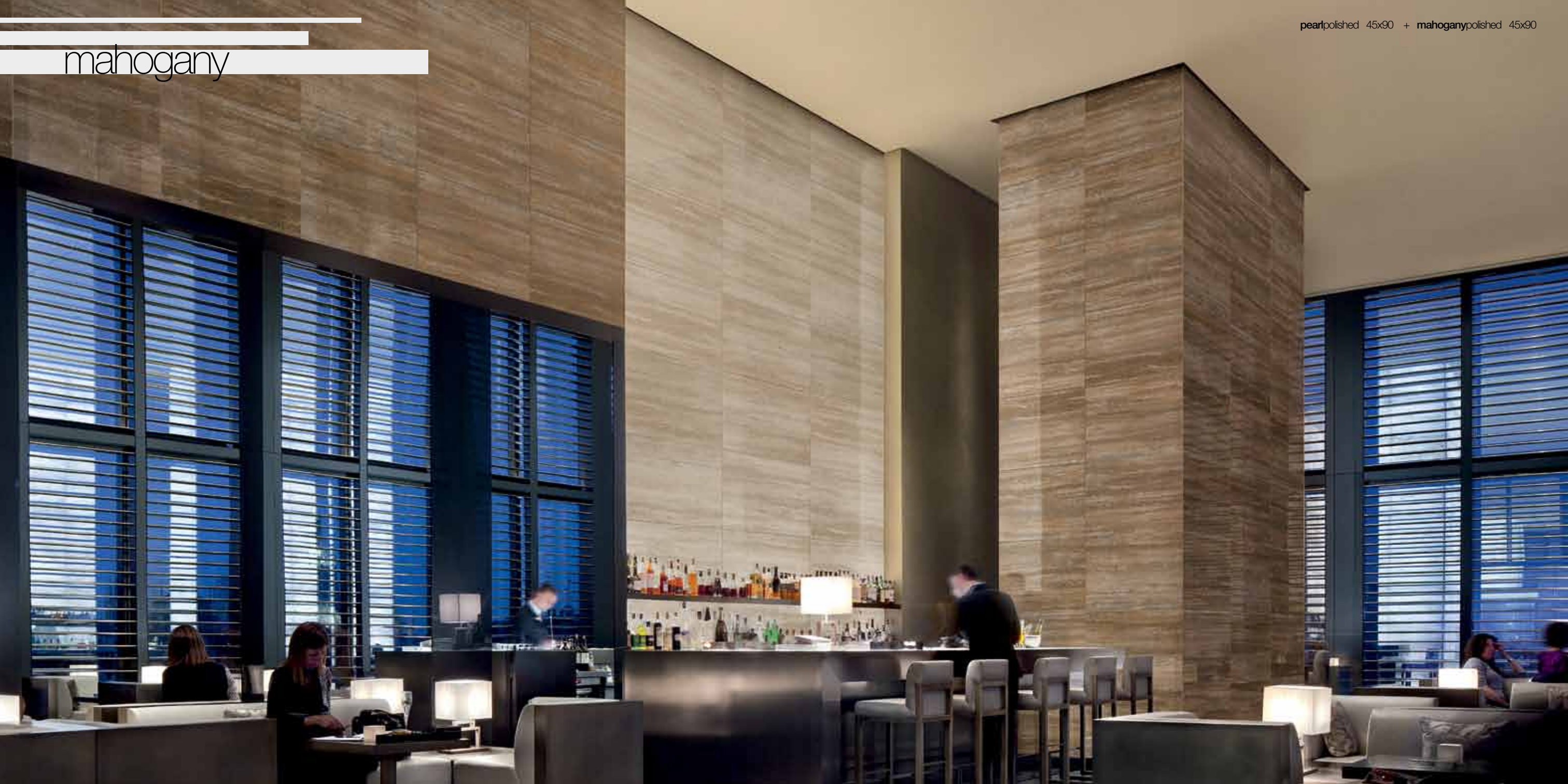


papyrus



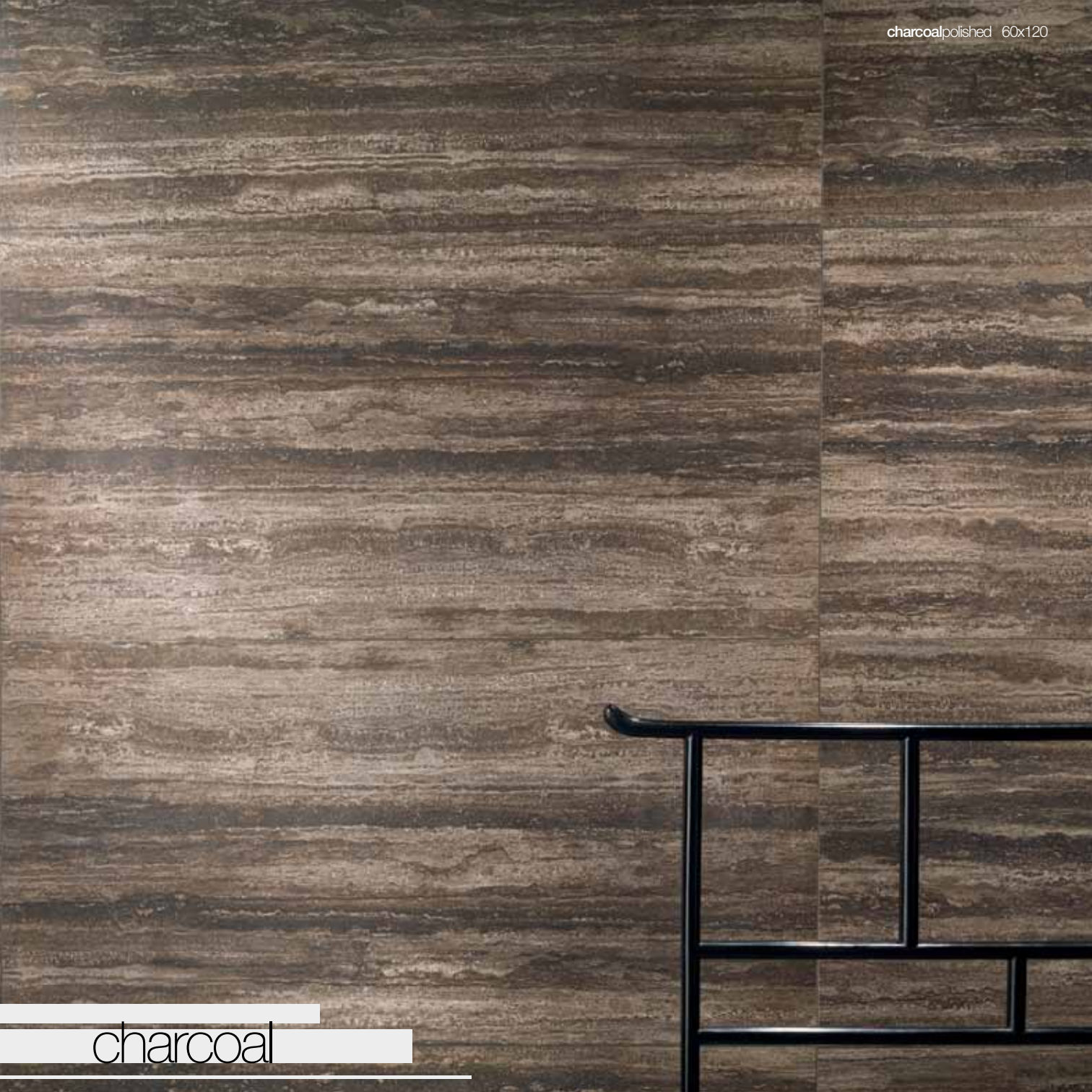
mahogany

pearlpolished 45x90 + mahoganypolished 45x90



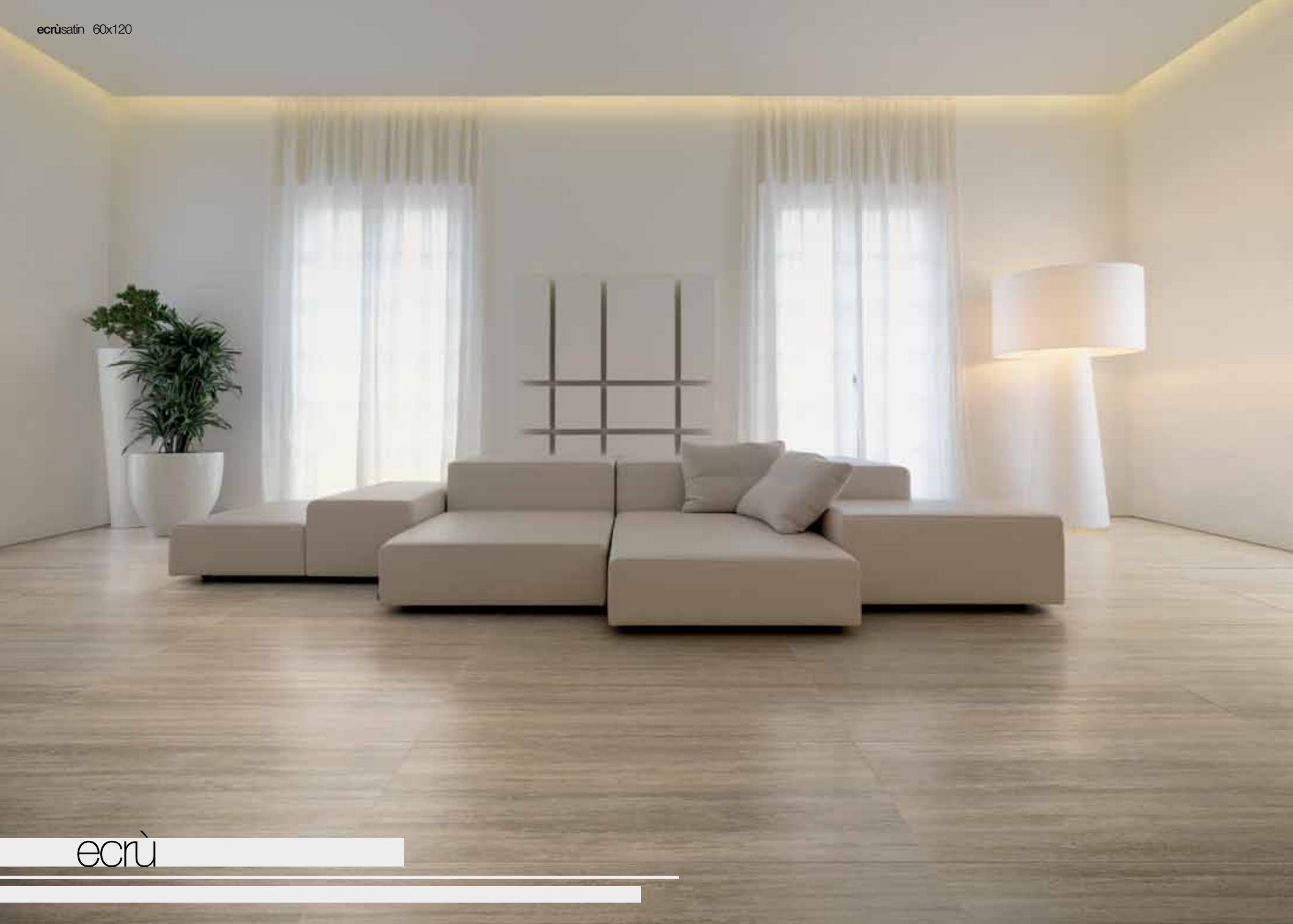


charcoalpolished 60x120 + charcoalsatin 60x120



charcoal





ecrùsatin 45x90



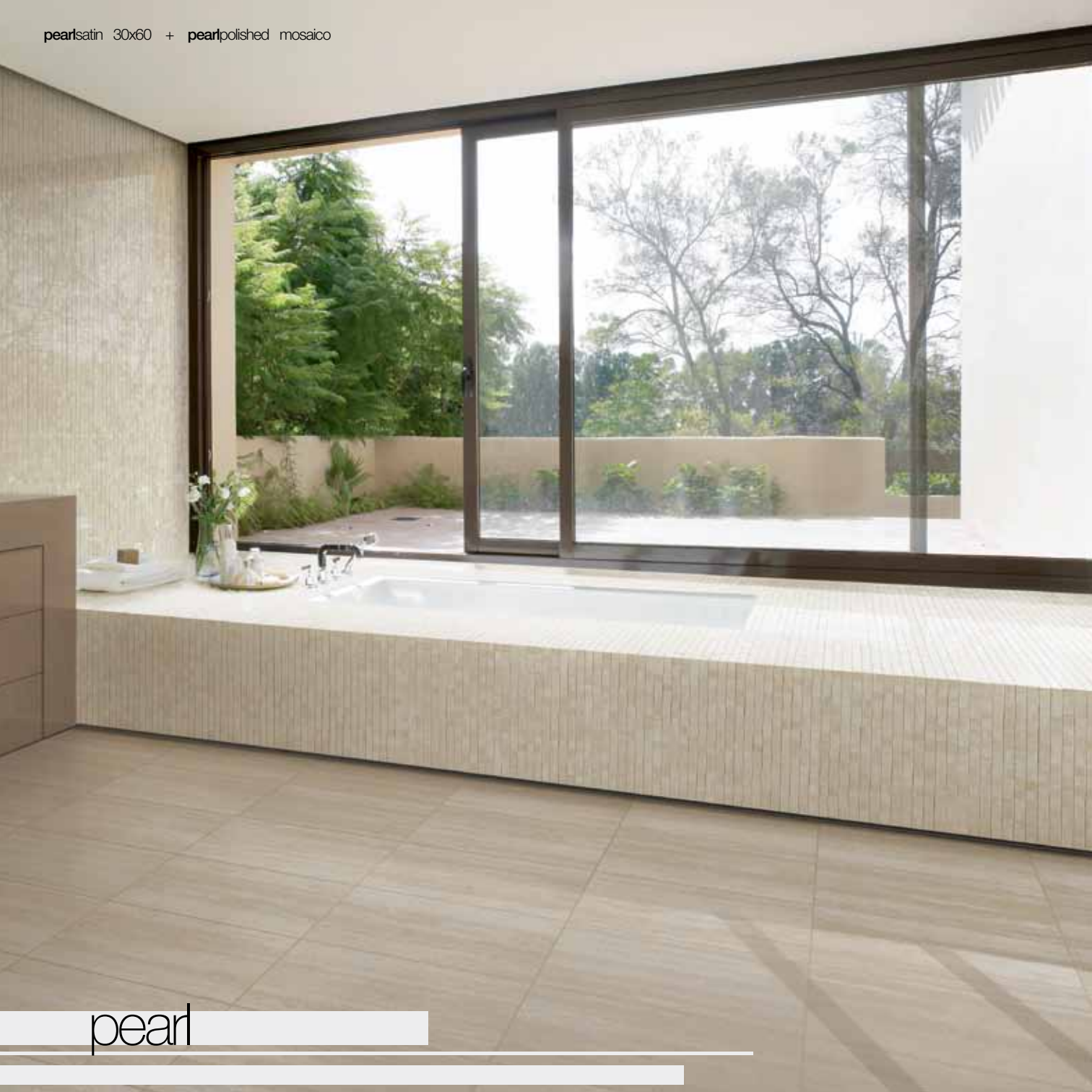


mahogany





pearlsatin 30x60 + pearlpolished mosaico



pearl



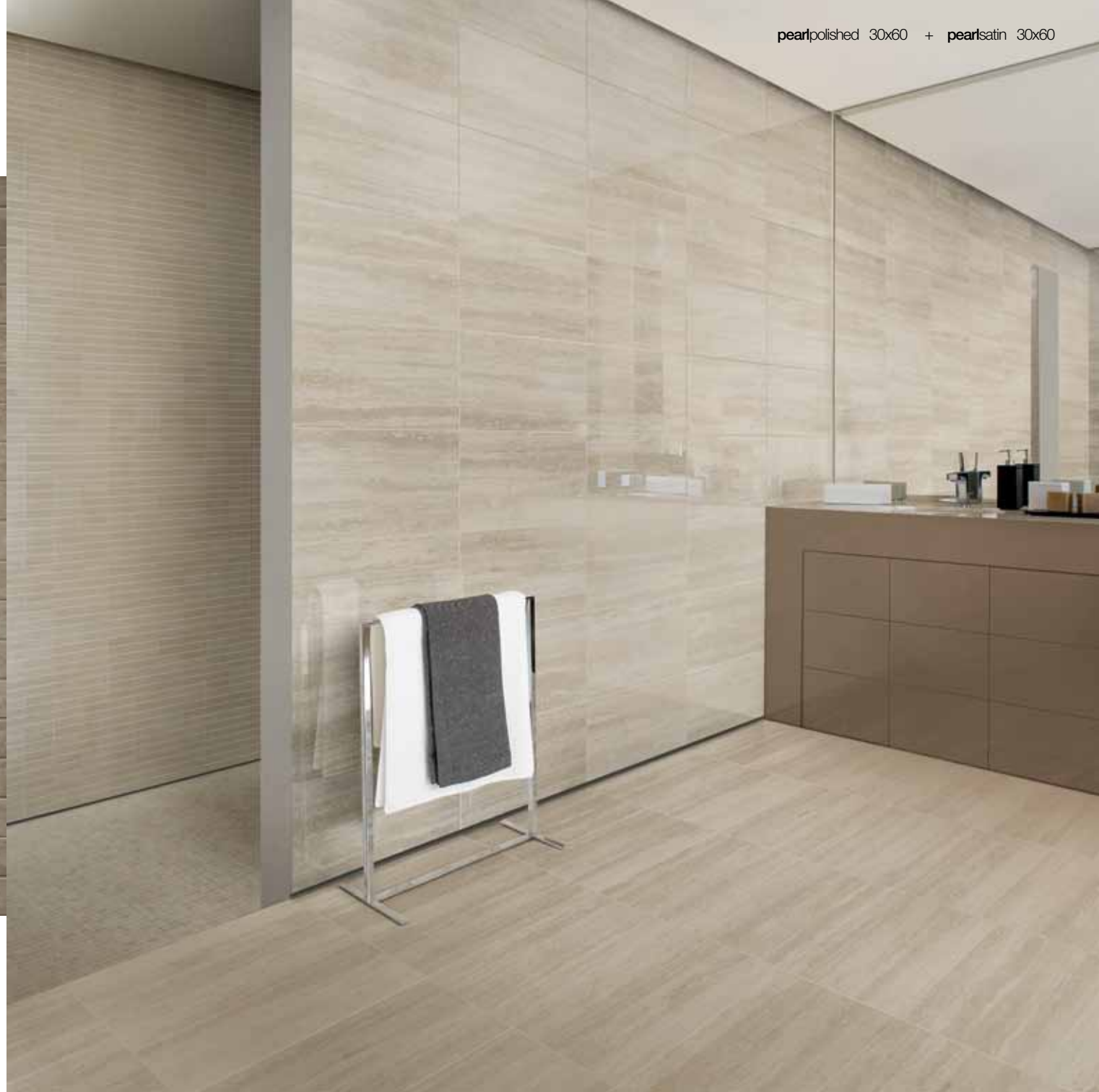
papyrus

papyrussatin mosaico

pearlpolished muretto



pearlpolished 30x60 + pearlsatin 30x60



tones



pearl



papyrus



ecrù

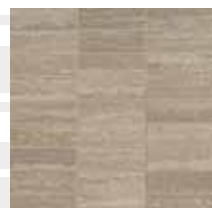


mahogany



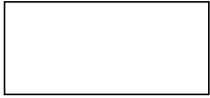

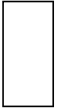
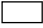
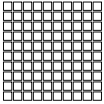
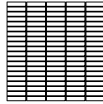
charcoal

decors

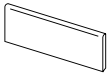
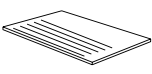
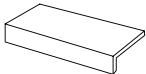
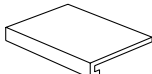
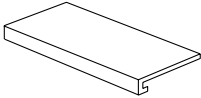
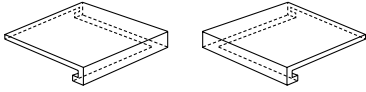


informazionitecniche
technical informations

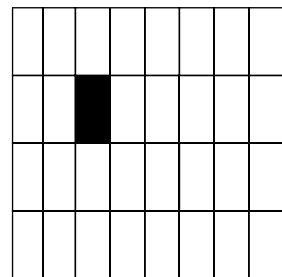
formati sizes formate formats

					
60 x 120 24" x 48"	45 x 90 18" x 36"	30 x 60 12" x 24"	7.5 x 15 3" x 6"	30 x 30 12" x 12"	30 x 30 12" x 12"
satin rettificato 68	62	53	77	140	20
polished rettificato 82	76	68	96	28	30

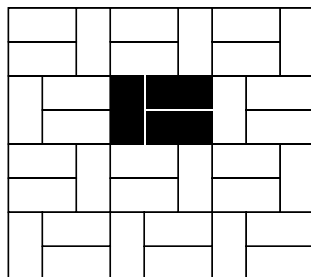
pezzi speciali special items pièces especiales fornteile

					
7 x 60 3" x 24"	30 x 60 12" x 24"	30 x 60 12" x 24"	30 x 60 12" x 24"	30 x 120 12" x 48"	30 x 30 12" x 12"
satin rettificato 15	33	49	115	185	118
polished rettificato 16	37	52	120	190	123

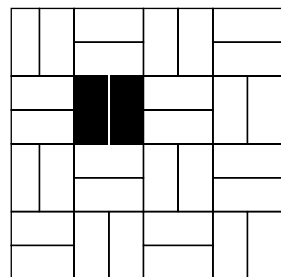
soluzioni di posa laying solution propositions pour la pose verlegungsvorschläge



30 x 60 12" x 24" (2pz.) **100 %**
 45 x 90 24" x 48" (2pz.) **100 %**
 60 x 120 24" x 48" (2pz.) **100 %**



30 x 60 12" x 24" (3pz.) **100 %**
 45 x 90 18" x 36" (3pz.) **100 %**












30 x 60 12" x 24" (2pz.) **100 %**
 45 x 90 18" x 36" (2pz.) **100 %**

imballi packing embalages verpackung

		spessore thickness	pezzi/sc pcs/box	mq/sc sqm/box	kg/sc kgs/box	sc/pl box/pal	mq/pl sqm/pal	kq/pl kgs/pal
60x120	rettificato	10	2	1.44	33.84	21	30.24	710.64
45x90	rettificato	10	3	1.22	28.70	32	39.04	918.40
30x60	rettificato	10	6	1.08	25.40	40	43.20	1016.00
7.5x15	rettificato	10	80	0.90	20.61	60	54.00	1236.60
30x30	mosaico		11	0.99	19.70	54	53.46	1063.80
30x30	muretto		11		19.69			
7x60	battiscopa smaltato		12		12.60			
30x60	gradino		8		33.84			
30x60	gradone costa retta		4		17.60			
30x120	gradone costa retta		2		4.40			
30x30	gradone angolare dx/sx		1		9.50			
30x60	elemento a L		4		17.20			

caratteristiche tecniche technical features carateristiques techniques technische eigenschaften

	assorbimento d'acqua water absorption absorption d'eau wasseraufnahme	<0,5%		resistenza alle macchie stain resistance résistance aux taches fleckbeständigkeit	5
	resistenza alla flessione breaking strength résistance a la flexion biegezugfestigkeit	35 N/mm²		durezza di Mohs hardness in Mohs degrees dureté de Mohs Moh'sche härte	UNI EN 101 6
	resistenza agli acidi resistance to acid résistance aux acides säurebeständigkeit	GLA		spessore thickness épaisseur dicke	10mm
	resistenza al gelo frost resistance résistance au gel frostbeständigkeit	resiste frost proof aucune atteration keine änderung		variazioni cromatiche color shade variations variation de nuance nuance variations	V2 variazione leggera V2 slight variation V2 légère variation V2 leichte variation
	superficie satin DIN51097 coefficiente d'attrito (scivolosità) static coefficient of friction coefficient de friction (glissement) reibungskoeffizient (schlüpfrigkeit)	A+B+C > 0.42			

Prevedere fuga di almeno 2 mm sul monoformato e necessariamente 3 mm sul multifornato.
 Leave joints of at least 2 mm in width when laying a single size and, obligatorily, 3 mm when laying a combination of both sizes.
 Prevoir des joints de minimum 2 mm entre les carreaux pour pose monofornat et de 3 mm sur tous les multifornats.
 Wir empfehlen bei der verlegung eines formats eine fugenbreite von 2 mm, bei einem mischverband eine fugenbreite von 3 mm.



unicomstarker™

via flumendosa 7
41042 fiorano modenese
modena italy
T + 39 (0) 536 926011
F italy + 39 (0) 536 926038
F world + 39 (0) 536 926033
F europe + 39 (0) 536 926023

unicomstarker.com

