

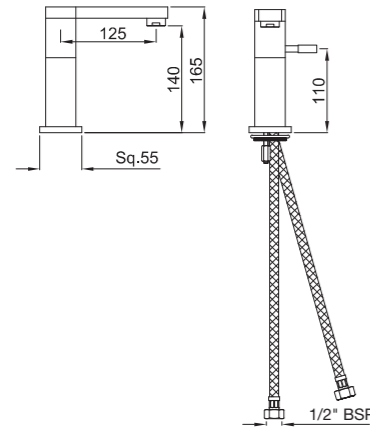
ANGELO

The geometry and precision of Angelo make for a striking impression. Masculine, bold, and extremely contemporary, the design never fails to catch the eye. Its patented design allows the mixing of hot and cold water merely by the rotation of the body.



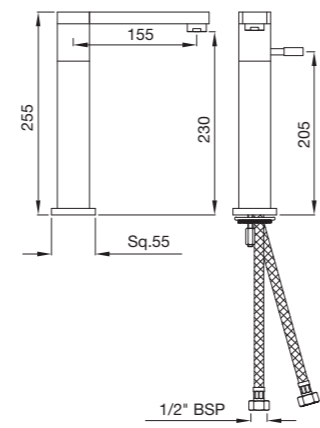
ANG-53011B

Single Lever Basin Mixer with Swivel Spout without Popup Waste System and 450mm Long Braided Hoses
flow rate: 6.19 l/min*



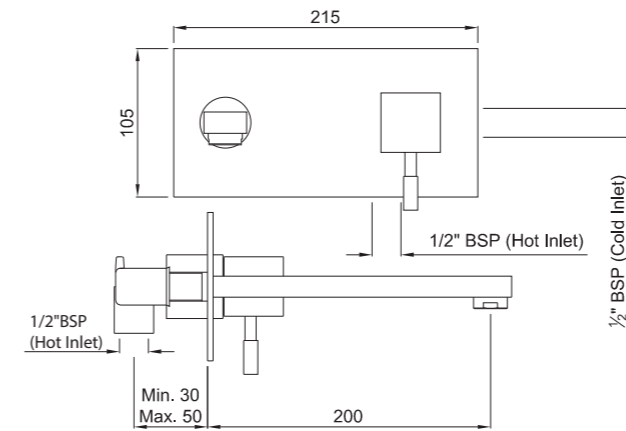
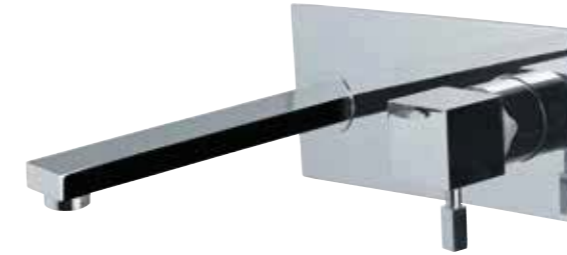
ANG-53009B

Single Lever Tall Boy with 185mm Extension Body Swivel Spout without Popup Waste System and with 600mm Long Braided Hoses
flow rate: 6.70 l/min*



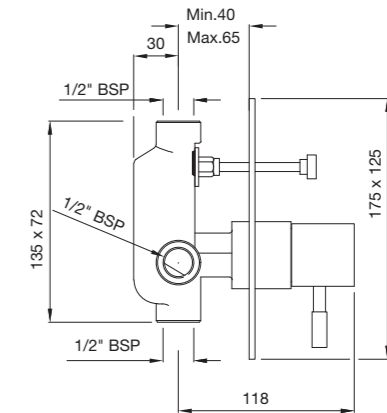
ANG-53233N

Single Lever Concealed Basin Mixer (Wall Mounted) with Spout (Composite One Piece Body)
flow rate: 15.17 l/min*



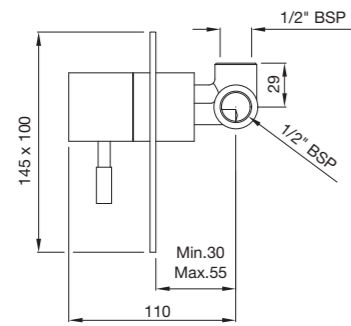
ANG-53065

Single Lever Concealed Divertor for Bath & Shower Mixer with Button Assembly on Upper Side
flow rate: 25.35 l/min*



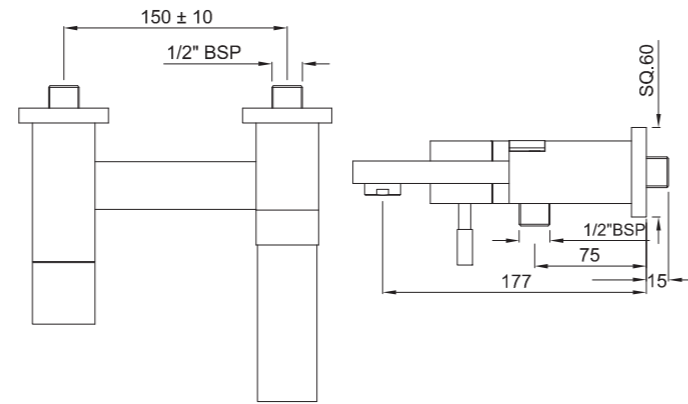
ANG-53139

Single Lever Concealed Shower Mixer for connection to Overhead Shower
flow rate: 23.40 l/min*



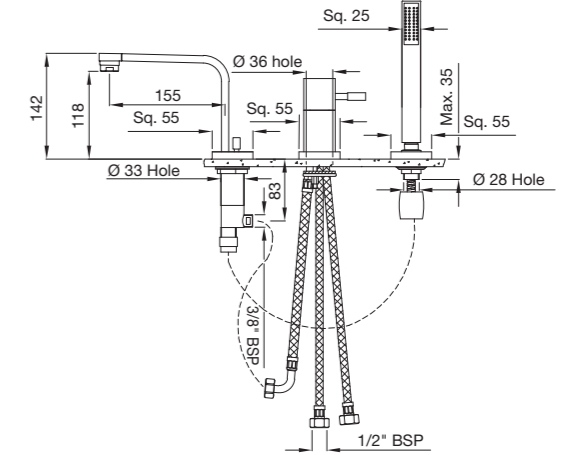
ANG-53119

Single Lever Wall Mixer with Hand Shower Provision but without Hand Shower
flow rate: 10.79 l/min*



ANG-53277

Single Lever 3-Hole Bath Tub Mounted Mixer with Spout, Hand Shower and Divertor
flow rate: 12.35 l/min*



*at 3 bar pressure

Leone | Faucets

The delightful curve of Leone is an abstract, organic shape that mirrors the flow of water. Modern, yet exquisitely beautiful, this arched design is stunning in its simplicity. Its patented design allows the rotation of the body to enable the mixing of hot and cold water.

