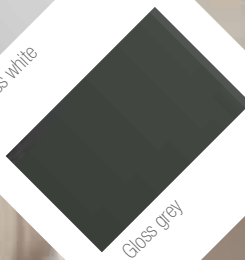


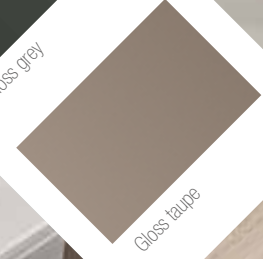
4 BESPOKE



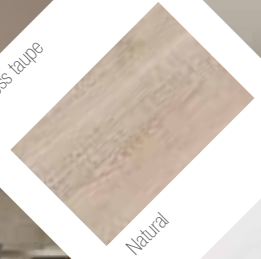
Gloss white



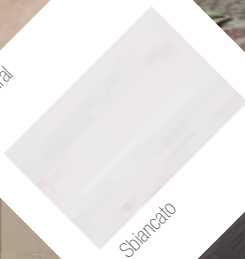
Gloss grey



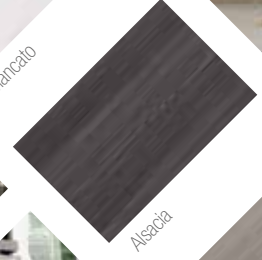
Gloss taupe



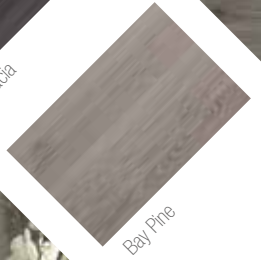
Natural



Sbiancato



Azzurra



Bog Pine



Bespoke Sofia basin

You can choose from the large sized basins to fit your space and mix and match the units to suit your style and needs.



Sofia basin with our Spirit series



Sofia basin with our Fusion Chrome series

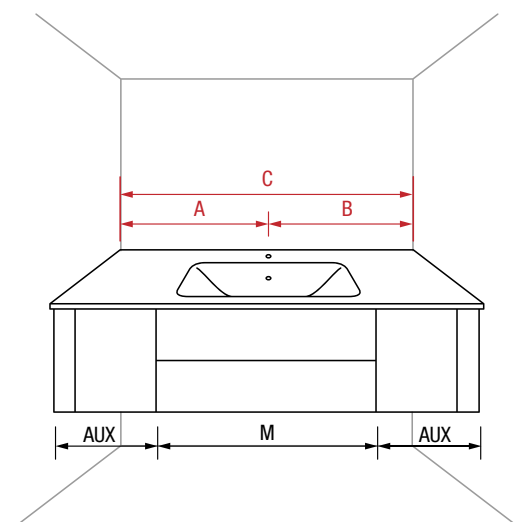


Sofia basin with our Monterrey series

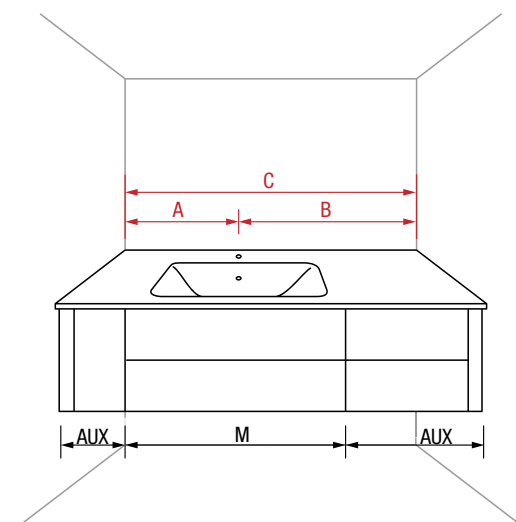
ORDER YOUR BESPOKE BASIN - What information do you need to know?

WASHBASIN WITH AUXILIARY ON BOTH SIDES

• Centered



• Off center



C = Measure of available space (total measurement of countertop from 605mm to 2005mm)

A = Distance from drain to left wall (from 303mm to 1202mm)

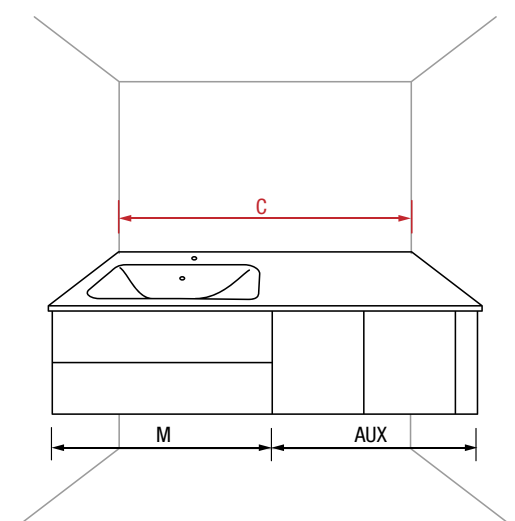
B = Distance from drain to right wall (from 303mm to 1202mm)

M = Vanity unit length (600/700/800/900/1000/1200)

AUX = Modules and strips

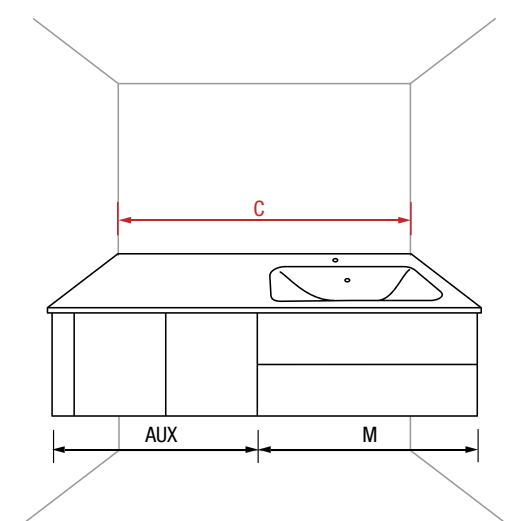
WASHBASIN FOR AUXILIARY ON ONE SIDE

• RIGHT



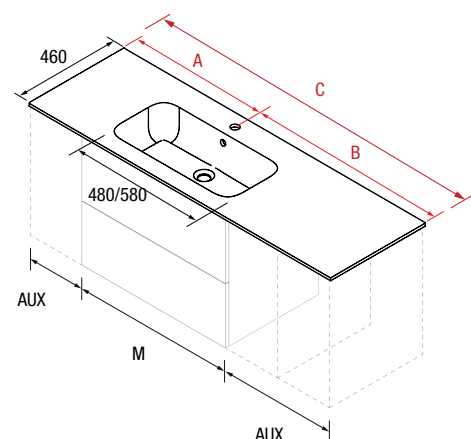
C = Measure of available space (total measure of countertop. From 605mm to 1605mm)

• LEFT



M = vanity unit length (600/700/800)
AUX = modules and strips

BESPOKE BASIN SOFIA



AUXILIARY UNITS ON BOTH SIDES

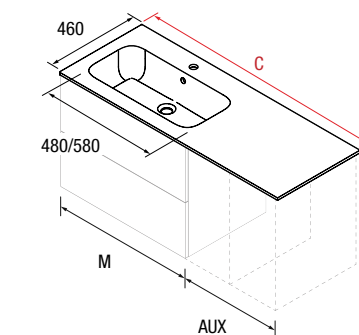
Vanity unit length (M)	C	cod.	£
600/700/800/900/1000 (Sink 480)	605 - 1105	24402	620
700/800/900/1000/1200 (Sink 580)	705 - 2005	24403	782

Note: tops with special length, 15 working days.

Download order sheet



AUXILIARY UNITS ON THE RIGHT



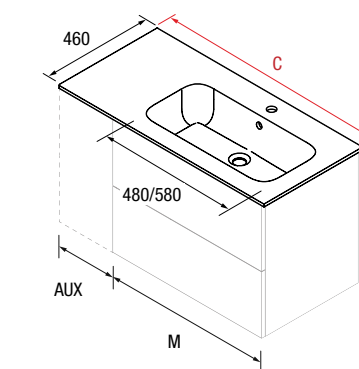
Vanity unit length (M)	C	cod.	£
600 (Sink 480)	605 - 855	24390	482
	605 - 1005	24391	551
	605 - 1405	24394	659
700 (Sink 580)	705 - 1405	25505	659
	805 - 1055	24392	584
800 (Sink 580)	805 - 1205	24393	620
	805 - 1605	24395	703

Note: tops with special length, 15 working days.

Download order sheet



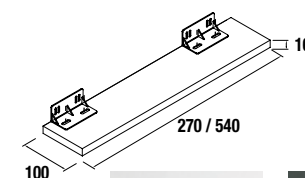
AUXILIARY UNITS ON THE RIGHT



Vanity unit length (M)	C	cod.	£
600 (Sink 480)	605 - 855	24396	482
	605 - 1005	24397	551
	605 - 1405	24400	659
700 (Sink 580)	705 - 1405	25506	659
	805 - 1055	24398	584
800 (Sink 580)	805 - 1205	24399	620
	805 - 1605	24401	703

Note: tops with special length, 15 working days.

Download order sheet



WOOD STRIPS

	Gloss White		Gloss Grey		Gloss taupe		Bay Pine		Natural		Sbiancato		Alsacia	
	cod.	£	cod.	£	cod.	£	cod.	£	cod.	£	cod.	£	cod.	£
270	24305	6	24306	6	24307	6	24310	6	24308	6	24309	6	24311	6
540	24312	9	24313	9	24314	9	24317	9	24315	9	24316	9	24318	9



Countertops 16

The Alliance countertops let you change the appearance and adjust it to the size you need thanks to the wide range of measurements and the option of bespoke countertops.



Countertops 40/50

Our thicker countertops allow you to design more modern arrangements with their HPL finishes, they can withstand anything.

You can design them right down to the last millimetre to suit the needs of your bathroom space thanks to the option of bespoke countertops.

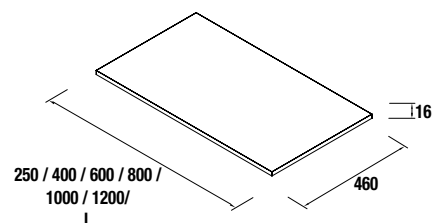


You can use the countertops to put a freestanding basin on as well as serving as a top for a floorstanding storage unit.



TOP THICKNESS 16, 40 AND 50 MM

TOPS 250 TO 1200 AND CUSTOM-MADE

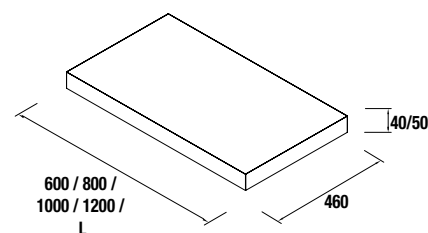


TOP THICKNESS 16 MM

Tops 16mm thick. Sizes from 250 to 1200 not mechanized. Finishes in melamine and high pressure laminate (HPL).

	Gloss white		Gloss grey		Gloss Taupe		Natural		Bay pine		Sbiancato		Alsacia		
	cod.	£	cod.	£	cod.	£	cod.	£	cod.	£	cod.	£	cod.	£	
	Stock	250	23118	75	23119	75	26966	75	23121	75	23120	75	23461	75	23462
	400	23122	93	23123	93	26967	93	23125	93	23124	93	23463	93	23464	93
	600	22960	108	22961	108	26968	108	22963	108	22962	108	23465	108	23466	108
	800	22964	140	22965	140	26969	140	22967	140	22966	140	23467	140	23468	140
	1000	22968	150	22969	150	26970	150	22971	150	22970	150	23469	150	23470	150
	1200	22972	178	22973	178	26971	178	22975	178	22974	178	23471	178	23472	178
Special order	<1000	22976	231	22977	231	26972	231	22979	231	22978	231	23475	231	23476	231
	1001 - 1400	22980	287	22981	287	26973	287	22983	287	22982	287	23477	287	23478	287
	1401 - 1800	22984	366	22985	366	26974	366	22987	366	22986	366	23479	366	23480	366
	1801 - 2000	22988	422	22989	422	26975	422	22991	422	22990	422	23481	422	23482	422
	2001 - 2400	23126	448	23127	448	26976	448	23129	448	23128	448	23483	448	23484	448

Note: tops with special length, 15 working days.



TOP THICKNESS 40 AND 50 MM

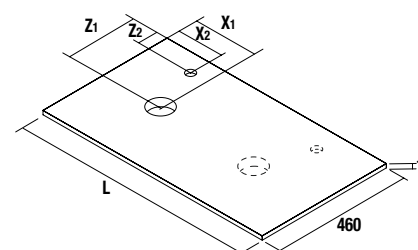
Tops with 50mm thickness finishes in Gloss White, gloss grey and carbon; y 40mm finish African oak, sizes from 600 to 1200 and custom made not mechanized. Finishes in melamine and high pressure laminate (HPL).

	Gloss White / 50mm		Gloss Grey / 50mm		Carbon / 50mm		African Oak / 40mm		
	cod.	£	cod.	£	cod.	£	cod.	£	
	Stock	600	22992	241	22993	241	22994	241	23016
	800	22995	299	22996	299	22997	299	23017	287
	1000	22998	377	22999	377	23000	377	23018	366
	1200	23001	433	23002	433	23003	433	23019	422
Special order	<1000	23004	377	23005	377	23006	377	23020	366
	1001 - 1400	23007	470	23008	470	23009	470	23021	433
	1401 - 1800	23010	673	23011	673	23012	673	23022	482
	1801 - 2000	23013	753	23014	753	23015	753	23023	527
	2001 - 2400	23138	792	23139	792	23140	792	23141	608

Note: tops with special length, 15 working days.

TOP THICKNESS 16, 40 AND 50 MM

CUSTOM MADE TOPS IN LENGTH AND MECHANIZED

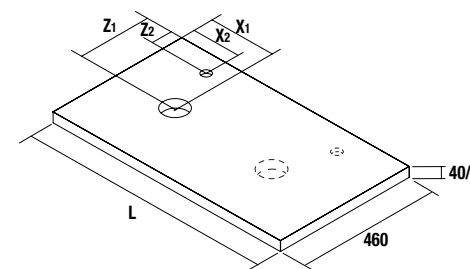


TOP THICKNESS 16 MM

16mm thick tops. special measures with machining. single or double sink. Melamine finishes and high pressure laminates (HPL).

	Gloss white		Gloss grey		Gloss Taupe		Natural		Bay pine		Sbiancato		Alsacia		
	cod.	£	cod.	£	cod.	£	cod.	£	cod.	£	cod.	£	cod.	£	
	Special order	<1000	23145	266	23146	266	26977	266	23148	266	23147	266	23485	266	23486
	1001-1400	23149	332	23150	332	26978	332	23152	332	23151	332	23487	332	23488	332
	1401-1800	23153	420	23154	420	26979	420	23156	420	23155	420	23489	420	23490	420
	1801-2000	23157	486	23158	486	26980	486	23160	486	23159	486	23491	486	23492	486
	2001-2400	23161	514	23162	514	26981	514	23164	514	23163	514	23493	514	23494	514

Note: tops with special length, 15 working days.



TOPS 40 AND 50 MM THICKNESS

40mm and 50mm thick tops. special measures with machining. single or double sink. Melamine finishes and high pressure laminates (HPL).

	Gloss White / 50mm		Gloss Grey / 50mm		Carbon / 50mm		African Oak / 40mm		
	cod.	£	cod.	£	298	£	cod.	£	
	Special order	<1000	23165	432	23166	432	23167	432	23168
	1001 - 1400	23169	542	23170	542	23171	542	23172	499
	1401 - 1800	23173	774	23174	774	23175	774	23176	553
	1801 - 2000	23177	859	23178	859	23179	859	23180	607
	2001 - 2400	23181	918	23182	918	23183	918	23184	699

Note: tops with special length, 15 working days.

Download order sheet





Double depth basins

Solid Surface basins, thanks to their hygienic properties, pleasant texture and easy to maintain, are the perfect solution for a dream bathroom.



Increase your storage capacity by optimizing the space in your bathroom with ALLIANCE storage units.



The perfect solution for small bathrooms, 100% bespoke



Enjoy a large jointless worktop with the integrated sink. Choose where you need the reduced-depth Alliance modules and adapt our basins to suit you.





Double depth worktops

With these countertops you can make the most of your space, increasing storage area without losing space.



Bespoke countertops allow to optimize your layout and not lose access to the shower.



Combine it with our modular series and Alliance storage units to take advantage of free space between walls.



Solid Surface

With the solid surface counter tops you've got a premium quality product, that is very hard-wearing and antibacterial.



The combinations with the solid surface counter tops are the perfect combination of design and practicality.



You can choose your counter top with a space incorporated for the towel rail.



MACHINED AND BESPOKE LENGTH COUNTER TOPS AND ACCESSORIES

Solid Surface

You can add bespoke towel rails of up to 80 cm to your designs, and these can also be used in the shower area.

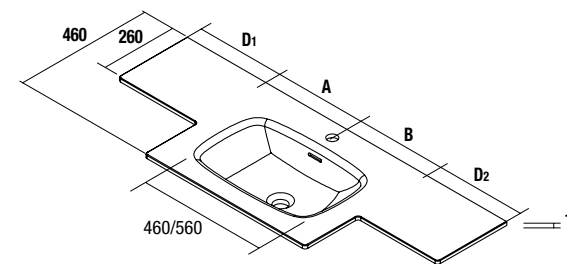


SOLID SURFACE COUNTER TOPS AND ACCESSORIES
MACHINED AND BESPOKE LENGTH COUNTER TOPS AND ACCESSORIES

IMPORTANT: all measures in mm must be included
The company will not be held responsible for the wrong measures received on the custom and mechanized tops; no returns for this cause will be accepted.

SOLID SURFACE WASHBASIN WITH DOUBLE DEPTH 12 MM THICKNESS

Solid surface washbasins with double depth, 12 mm thick. special measures. washbasins to combine with modules
Alliance for reduced depth.



Special order	Vanity unit length (M) 600/700 Sink 460	Matt White	
		cod.	£
	900 - 1200	87983	489
	1201 - 1500	87984	549
	1501 - 1800	87985	599
	1801 - 2000	87986	759

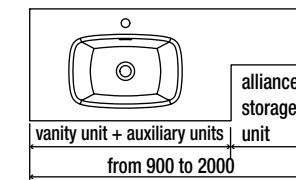
Special order	Vanity unit length (M) 800/900/1000/1200 Sink 560	Matt White	
		cod.	£
	1100 - 1500	87987	549
	1501 - 1800	87988	609
	1801 - 2000	87989	779

Note: tops with special length, 15 working days.

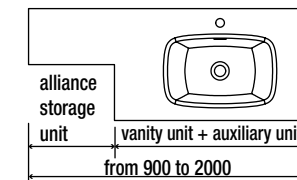
Download order sheet



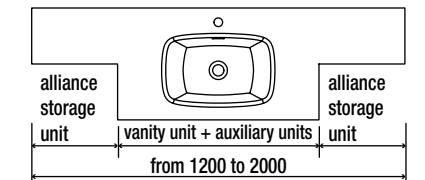
Auxiliary unit on the right



Auxiliary unit on the left



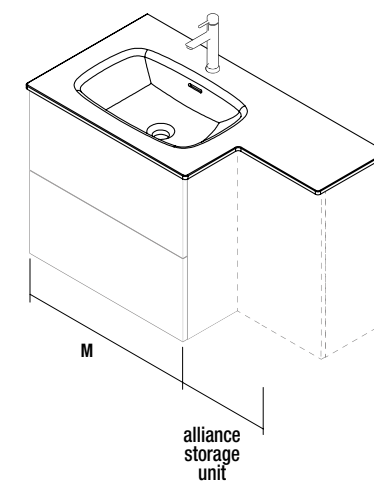
Auxiliary unit on both sides



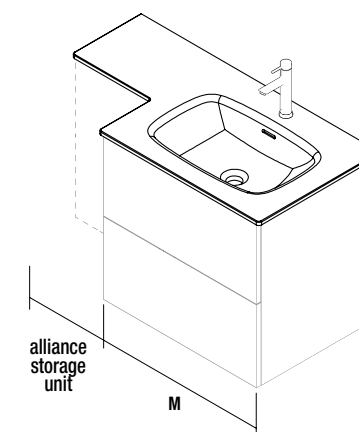
ENDLESS POSSIBILITIES

multiple combinations of vanity units and auxiliary units can be made with the new alliance double depth. Here is an example.

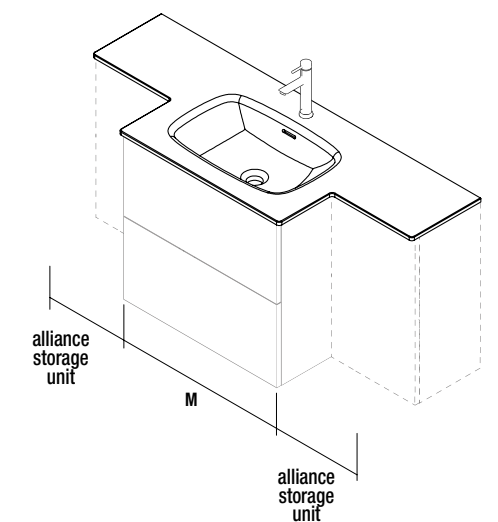
storage unit on the right



storage unit on the left



storage unit on both sides



Solid Surface

With the solid shelves of up to 80 cm you can keep everything to hand, even in the shower.



SOLID SURFACE COUNTER TOPS AND ACCESSORIES

MACHINED AND BESPOKE LENGTH
COUNTER TOPS AND ACCESSORIES

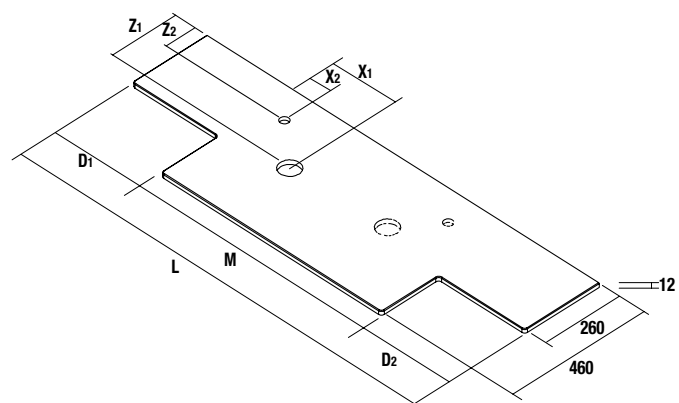


IMPORTANT: all measures in mm must be included

The company will not be held responsible for the wrong measures received on the custom and mechanized tops; no returns for this cause will be accepted.

DOUBLE DEPTH WORKTOPS 12MM THICKNESS

Solid surface worktops with double depth, 12mm thick. special measures with or without machining. single or double sink. worktops to combine with Alliance storage units with reduced depth.



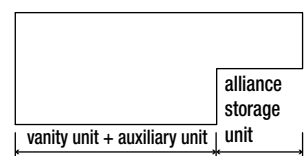
Matt White		
Special order	cod.	£
900 - 1200	87978	324
1201 - 1500	87979	350
1501 - 1800	87980	370
1801 - 2000	87981	424
2001 - 2400	87982	490

Note: tops with special length, 15 working days.

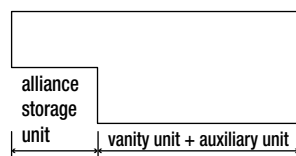
Download order sheet



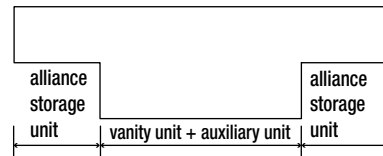
storage units on the right



storage units on the left



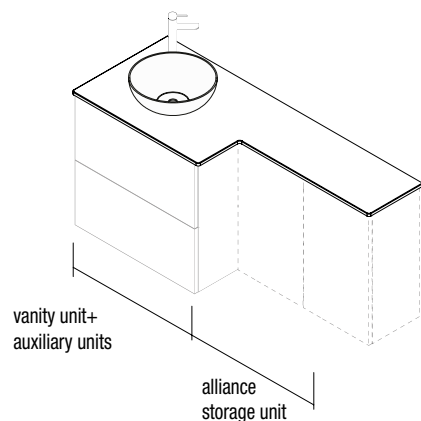
storage units on both sides



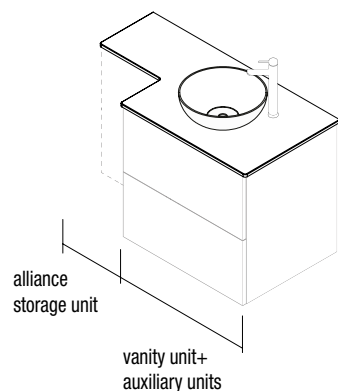
ENDLESS POSSIBILITIES

multiple combinations of vanity units and auxiliary units can be made with the new alliance double depth. Here is an example.

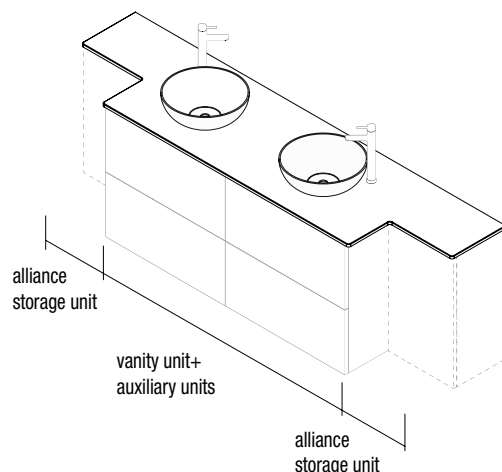
storage units on the right



storage units on the left



storage units on both sides

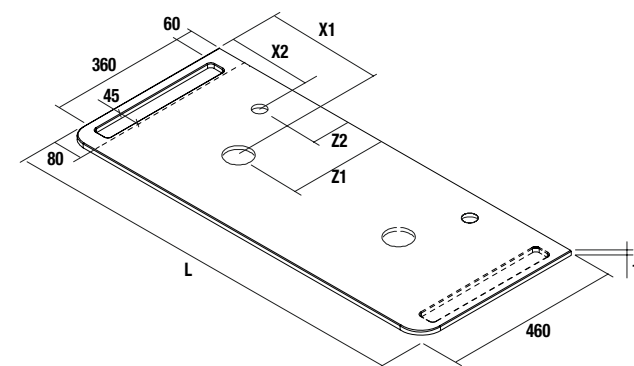


SOLID SURFACE COUNTER TOPS AND ACCESSORIES

MACHINED AND BESPOKE LENGTH
COUNTER TOPS AND ACCESSORIES

COUNTER TOPS WITH TOWEL HOLDER WITH A THICKNESS OF 12 MM

Solid surface counter tops with towel holder with a thickness of 12 mm. In special sizes with or without machining. YOU NEED TO STATE WHICH SIDE YOU WANT THE TOWEL HOLDER ON



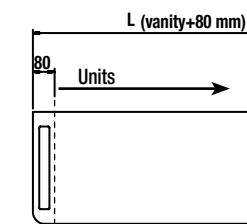
Matt White		
Special order	cod.	£
<1000	24465	291
1001 - 1400	24466	355
1401 - 1800	24467	419
1801 - 2000	24468	493
2001 - 2400	24469	557

Note: tops with special length, 15 working days.

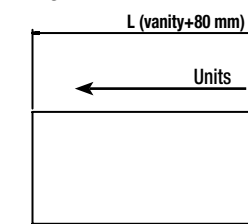
Download order sheet



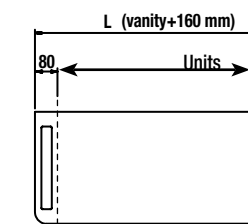
Left side towel holder



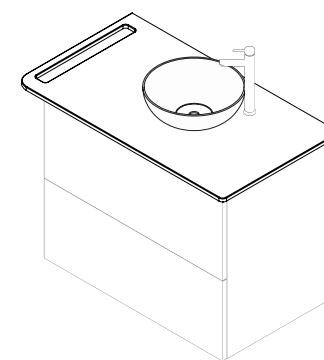
Right side towel holder



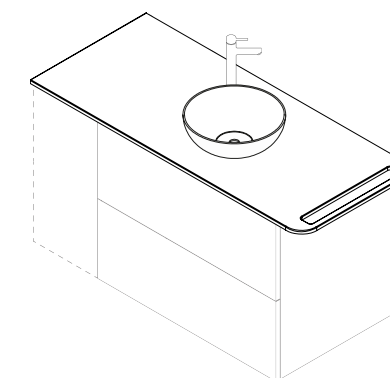
Towel holder on both sides



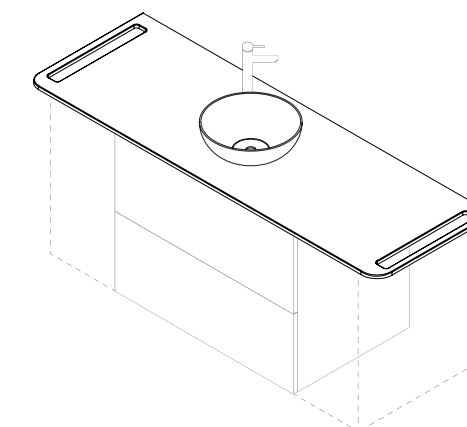
Left side towel holder



Right side towel holder

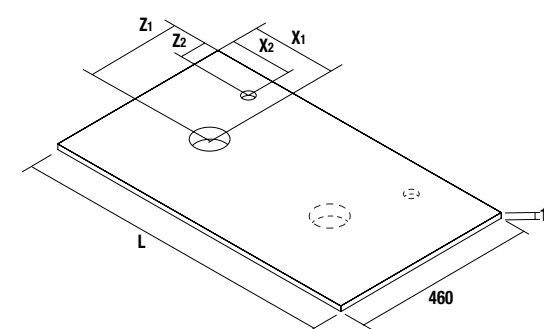


Towel holder on both sides



COUNTER TOPS WITH A THICKNESS OF 12 MM

Solid surface counter tops with a thickness of 12 mm. In special sizes with or without machining.



Matt White		
Special order	cod.	£
<1000	24460	217
1001 - 1400	24461	281
1401 - 1800	24462	345
1801 - 2000	24463	419
2001 - 2400	24464	483

Download order sheet



Note: tops with special length, 15 working days.

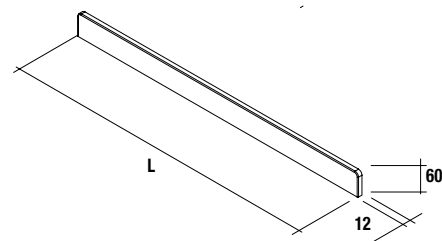
SOLID SURFACE COUNTER TOPS AND ACCESSORIES

MACHINED AND BESPOKE LENGTH
COUNTER TOPS AND ACCESSORIES



FRONT STRIP FOR WORKTOP

Solid surface front strip for placing on countertops, thickness 12 mm.



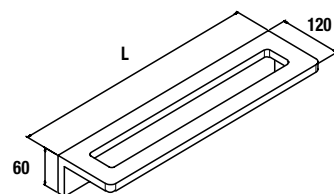
Matt White			
		cod.	£
Special order	<1000	85486	51
	1001 - 1400	85487	71
	1401 - 1800	85488	92
	1801 - 2000	85489	102
	2001 - 2400	85490	123

Note: tops with special length, 15 working days.

SOLID SURFACE ACCESSORIES

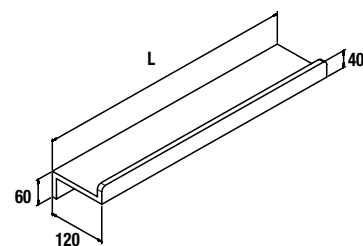
Towel holder and solid surface bespoke shelf.

Towel rail shelf solid surface
Bespoke.



Matt White			
		cod.	£
Stock	400	26126	63
	500	26127	83
	600	26128	95
Special order	<400	24729	63
	401 - 600	24730	83
	601 - 800	24731	106

Shelf solid surface.
Bespoke.



Matt White			
		cod.	£
Stock	400	82333	96
	500	82334	133
	600	82335	160
Special order	<400	24732	96
	401 - 600	24733	133
	601 - 800	24734	160