

## Confluence

Quiet and harmony envelop the space around Confluence, a biomorphic design, and zen mystery of natural inspiration. Like a reed of bamboo that channels water from rivers and brooks to pour it into a gentle, private stream, it calms and relaxes.



As awarded by  
The Chicago Athenaeum:  
Museum of Architecture  
and Design  
2014



"Biomorphic design that delivers a Zen-like waterfall flow into your palms; a perfectly serene stream from the half-cut-bamboo style faucet."

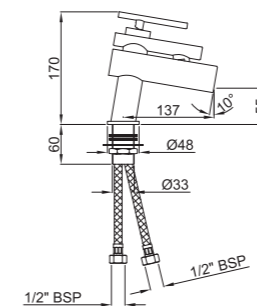
Parichay Mehra  
Spearheading the Jaquar Group design team



**A | CONFLUENCE**

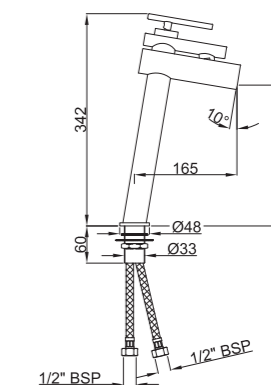
**CNF-69011B**

Single Lever Basin Mixer without Popup Waste System with 450mm Long Braided Hoses

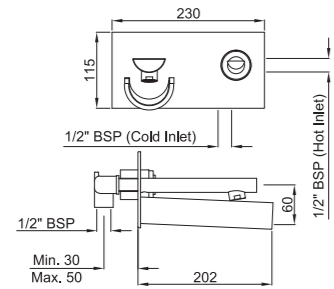


**CNF-69009B**

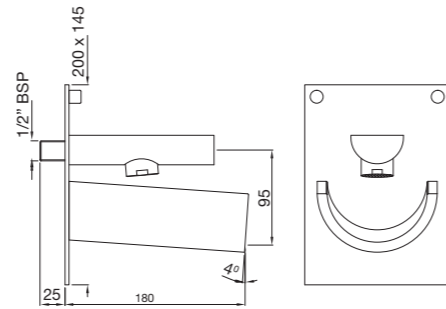
Single Lever Tall Boy without Popup Waste System with 600mm Long Braided Hoses



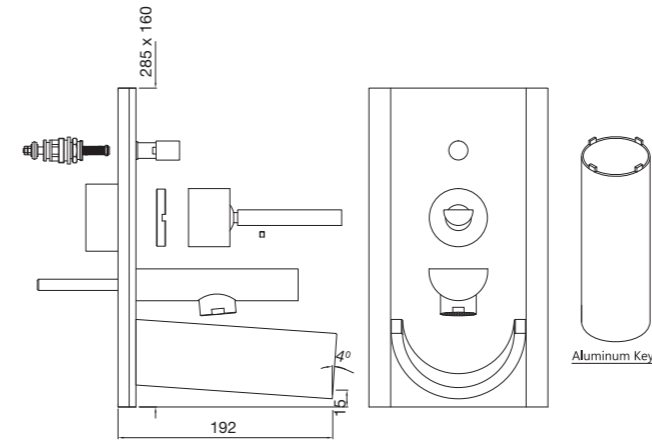
**CNF-69233**  
Joystick Concealed Basin Mixer (Wall Mounted) with Spout (Composite One Piece Body)



**CNF-69859**  
Confluence Overhead shower with Wall Flange



**CNF-69065K**  
Exposed part kit of joystick concealed diverter consisting of built-in bath filler with adjustable wall flange (suitable for item CNF-69065C)



**CNF-69065C**  
Concealed Body of Joystick Diverter for Bath & Shower

