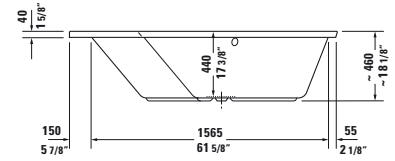
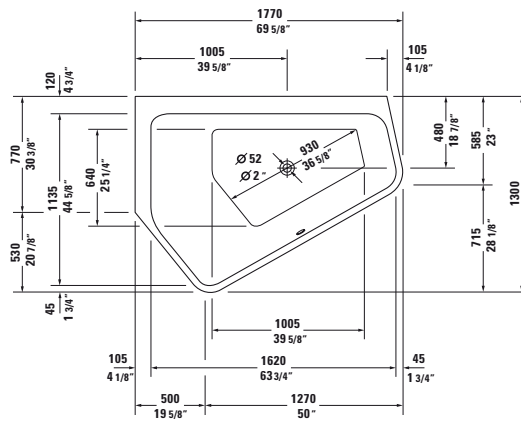


**Paiova** Design by E00S

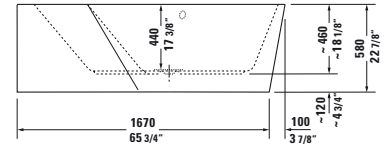
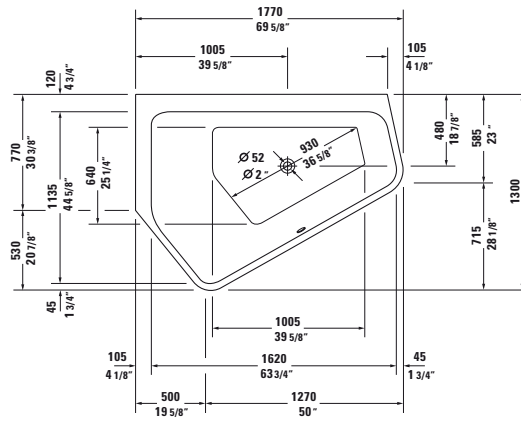
**Bathtub Paiova 5 corner left, built-in, with two different backrest slopes**  
1/4" sanitary acrylic



Length inch	Width inch	Depth/Height inch	Capacity gal	Weight lbs	Model-No.	USD
						White - 00
<b>Bathtub Paiova 5</b>						
69 5/8"	51 1/8"	17 3/8"	54.2	105.8	<b>700390 00 0 00 0090</b>	1,970
<b>Accessories for bath- and whirtub</b>						
Headrest, White					<b>790009 00 0 00 0000</b>	<b>200</b>
Bathtub anchors					<b>790103 00 0 00 0000</b>	<b>65</b>
Cable-driven waste and overflow, plastic, Chrome trim					<b>790219 00 0 00 1000</b>	<b>225</b>
Tile flange					<b>790112 00 0 00 0000</b>	<b>225</b>
Support frame, for DuraStyle and Paiova built-in, (included)					<b>790113 00 0 00 0000</b>	<b>230</b>

**Paiova** Design by E00S

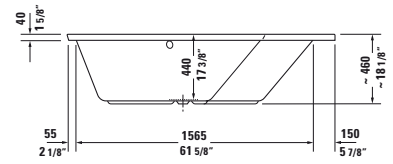
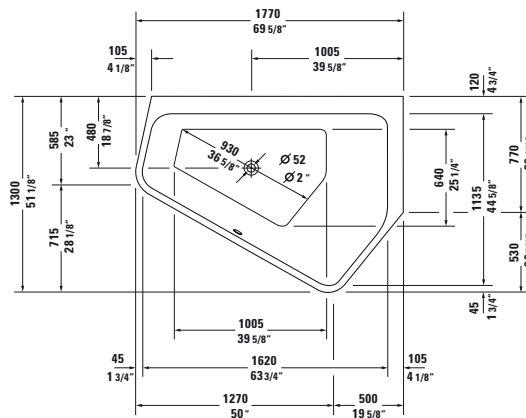
**Bathtub Paiova 5 corner left, with seamless acrylic panel and support frame, with two different backrest slopes**  
 1/4" sanitary acrylic



Length inch	Width inch	Depth/Height inch	Capacity gal	Weight lbs	Model-No.	USD
						White - 00
<b>Bathtub Paiova 5</b>						
69 5/8"	51 1/8"	17 3/8"	54.2	209.4	<b>700394 00 0 00 0090</b>	4,690
<b>Accessories for bath- and whirtub</b>						
Headrest, White					<b>790009 00 0 00 0000</b>	200
Bathtub anchors					<b>790103 00 0 00 0000</b>	65
Cable-driven waste and overflow, plastic, Chrome trim					<b>790219 00 0 00 1000</b>	225
Tile flange					<b>790112 00 0 00 0000</b>	225

**Paiova** Design by E00S

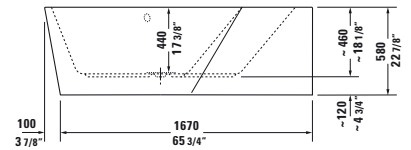
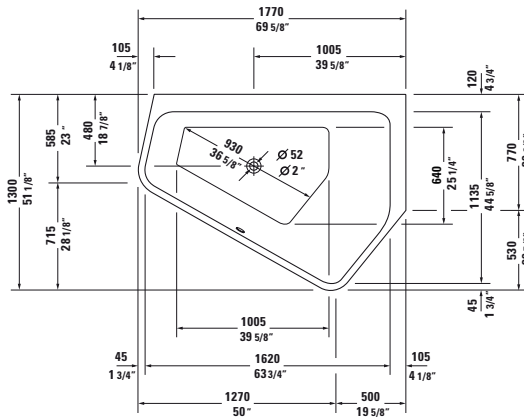
**Bathtub Paiova 5 corner right, built-in, with two different backrest slopes**  
1/4" sanitary acrylic



Length inch	Width inch	Depth/Height inch	Capacity gal	Weight lbs	Model-No.	USD
						White - 00
<b>Bathtub Paiova 5</b>						
69 5/8"	51 1/8"	17 3/8"	54.2	105.8	<b>700391 00 0 00 0090</b>	1,970
<b>Accessories for bath- and whirtub</b>						
Headrest, White					<b>790009 00 0 00 0000</b>	200
Bathtub anchors					<b>790103 00 0 00 0000</b>	65
Cable-driven waste and overflow, plastic, Chrome trim					<b>790219 00 0 00 1000</b>	225
Tile flange					<b>790112 00 0 00 0000</b>	225
Support frame, for DuraStyle and Paiova built-in, (included)					<b>790113 00 0 00 0000</b>	230

**Paiova** Design by E00S

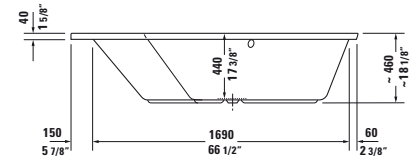
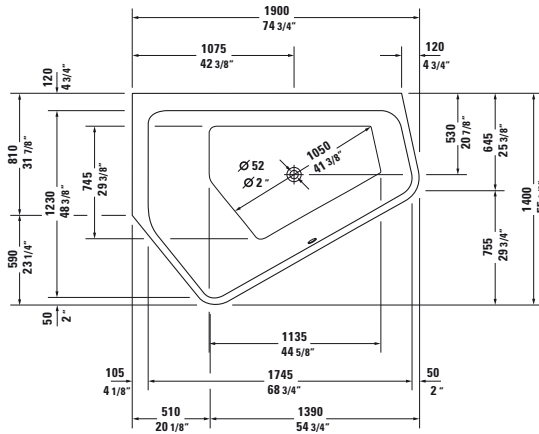
**Bathtub Paiova 5 corner right, with seamless acrylic panel and support frame, with two different backrest slopes**  
 1/4" sanitary acrylic



Length inch	Width inch	Depth/Height inch	Capacity gal	Weight lbs	Model-No.	USD
						White - 00
<b>Bathtub Paiova 5</b>						
69 5/8"	51 1/8"	17 3/8"	54.2	209.4	<b>700395 00 0 00 0090</b>	4,690
<b>Accessories for bath- and whirtub</b>						
Headrest, White					<b>790009 00 0 00 0000</b>	<b>200</b>
Bathtub anchors					<b>790103 00 0 00 0000</b>	<b>65</b>
Cable-driven waste and overflow, plastic, Chrome trim					<b>790219 00 0 00 1000</b>	<b>225</b>
Tile flange					<b>790112 00 0 00 0000</b>	<b>225</b>

**Paiova** Design by E00S

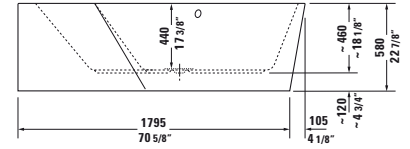
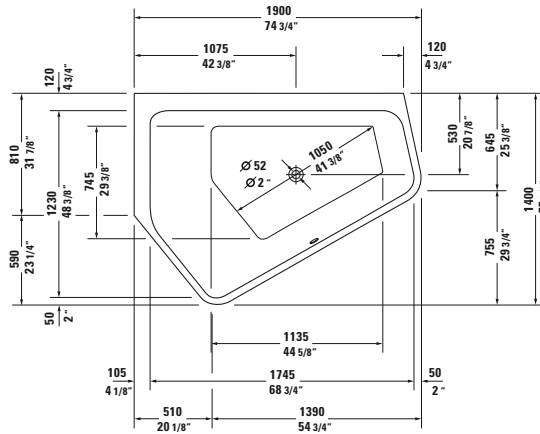
**Bathtub Paiova 5 corner left, built-in, with two different backrest slopes**  
1/4" sanitary acrylic



Length inch	Width inch	Depth/Height inch	Capacity gal	Weight lbs	Model-No.	USD
						White - 00
<b>Bathtub Paiova 5</b>						
74 3/4"	55 1/8"	17 3/8"	70.5	119.1	<b>700392 00 0 00 0090</b>	2,160
<b>Accessories for bath- and whirtub</b>						
Headrest, White					<b>790009 00 0 00 0000</b>	<b>200</b>
Bathtub anchors					<b>790103 00 0 00 0000</b>	<b>65</b>
Cable-driven waste and overflow, plastic, Chrome trim					<b>790219 00 0 00 1000</b>	<b>225</b>
Tile flange					<b>790112 00 0 00 0000</b>	<b>225</b>
Support frame, for Paiova 5 # 700392, 700393, (included)					<b>790175 00 0 00 0000</b>	<b>230</b>

**Paiova** Design by E00S

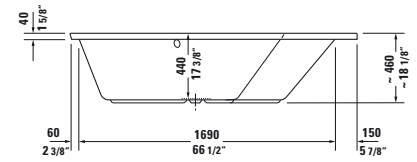
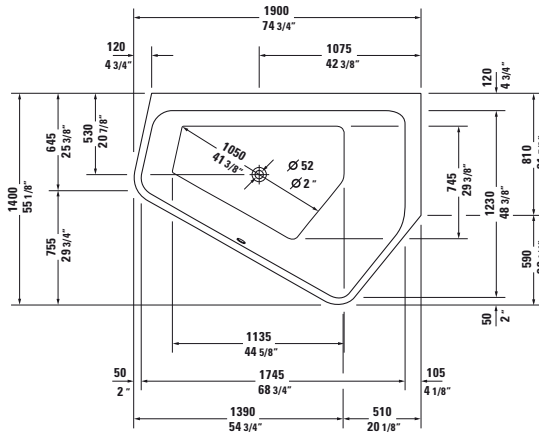
**Bathtub Paiova 5 corner left, with seamless acrylic panel and support frame, with two different backrest slopes**  
 1/4" sanitary acrylic



Length inch	Width inch	Depth/Height inch	Capacity gal	Weight lbs	Model-No.	USD
						White - 00
<b>Bathtub Paiova 5</b>						
74 3/4"	55 1/8"	17 3/8"	70.5	235.9	<b>700396 00 0 00 0090</b>	4,880
<b>Accessories for bath- and whirtub</b>						
Headrest, White					<b>790009 00 0 00 0000</b>	<b>200</b>
Bathtub anchors					<b>790103 00 0 00 0000</b>	<b>65</b>
Cable-driven waste and overflow, plastic, Chrome trim					<b>790219 00 0 00 1000</b>	<b>225</b>
Tile flange					<b>790112 00 0 00 0000</b>	<b>225</b>

**Paiova** Design by E00S

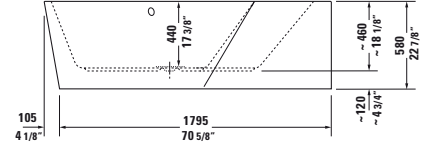
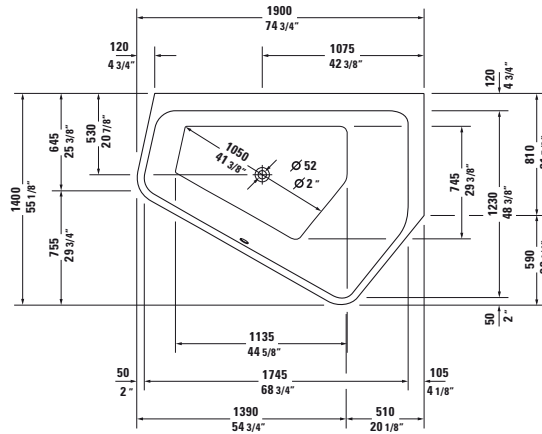
**Bathtub Paiova 5 corner right, built-in, with two different backrest slopes**  
1/4" sanitary acrylic



Length inch	Width inch	Depth/Height inch	Capacity gal	Weight lbs	Model-No.	USD
						White - 00
<b>Bathtub Paiova 5</b>						
74 3/4"	55 1/8"	17 3/8"	70.5	119.1	<b>700393 00 0 00 0090</b>	2,160
<b>Accessories for bath- and whirtub</b>						
					<b>790009 00 0 00 0000</b>	<b>200</b>
					<b>790103 00 0 00 0000</b>	<b>65</b>
					<b>790219 00 0 00 1000</b>	<b>225</b>
					<b>790112 00 0 00 0000</b>	<b>225</b>
					<b>790175 00 0 00 0000</b>	<b>230</b>

**Paiova** Design by E00S

**Bathtub Paiova 5 corner right, with seamless acrylic panel and support frame, with two different backrest slopes**  
 1/4" sanitary acrylic

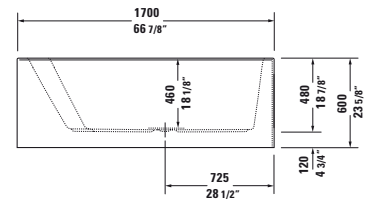
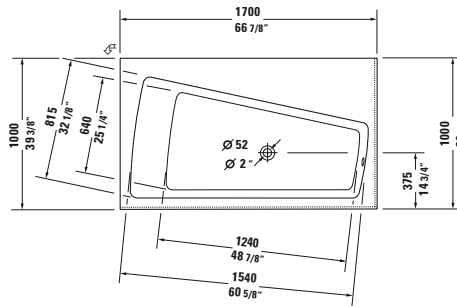


Length inch	Width inch	Depth/Height inch	Capacity gal	Weight lbs	Model-No.	USD
						White - 00
<b>Bathtub Paiova 5</b>						
74 3/4"	55 1/8"	17 3/8"	70.5	235.9	<b>700397 00 0 00 0090</b>	4,880
<b>Accessories for bath- and whirtub</b>						
Headrest, White					<b>790009 00 0 00 0000</b>	<b>200</b>
Bathtub anchors					<b>790103 00 0 00 0000</b>	<b>65</b>
Cable-driven waste and overflow, plastic, Chrome trim					<b>790219 00 0 00 1000</b>	<b>225</b>
Tile flange					<b>790112 00 0 00 0000</b>	<b>225</b>



**Paiova** Design by E00S

**Bathtub Monolith, for corner left, with one backrest slope left, with integrated acrylic panel and support frame, cUPC listed**  
 1/4" sanitary acrylic

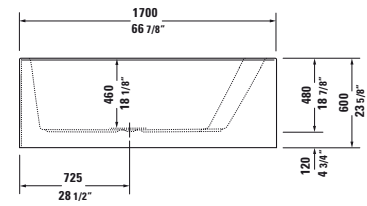
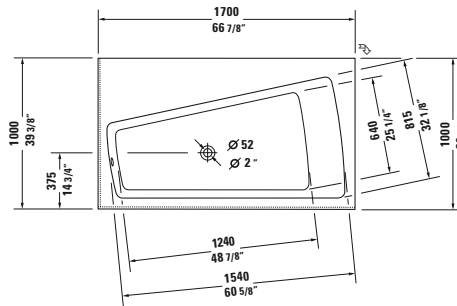


Length inch	Width inch	Depth/Height inch	Capacity gal	Weight lbs	Model-No.	USD
						White - 00
<b>Bathtub</b>						
66 7/8"	39 3/8"	18 1/8"	52.0	168.3	<b>700270 00 0 00 0090</b>	<b>3,475</b>
<b>Bathtub inclusive whirlsystem</b>						
					<b>710270 00 1 00 1090</b>	5,670
					<b>710270 00 2 00 1090</b>	5,670
					<b>710270 00 2 50 1090</b>	6,070
					<b>710270 00 2 51 1090</b>	7,310
					<b>710270 00 3 00 1090</b>	6,895
					<b>710270 00 3 50 1090</b>	7,285
					<b>710270 00 3 51 1090</b>	8,535
					<b>710270 00 4 00 1090</b>	7,475
					<b>710270 00 4 50 1090</b>	7,875
					<b>710270 00 4 51 1090</b>	9,115
					<b>710270 00 1 46 1090</b>	6,245
					<b>710270 00 2 46 1090</b>	6,655
					<b>710270 00 2 52 1090</b>	6,660
					<b>710270 00 2 53 1090</b>	7,930
					<b>710270 00 3 46 1090</b>	7,475
					<b>710270 00 3 52 1090</b>	7,880
					<b>710270 00 3 53 1090</b>	9,150
					<b>710270 00 4 46 1090</b>	8,055
					<b>710270 00 4 52 1090</b>	8,455
					<b>710270 00 4 53 1090</b>	9,730
<b>Accessories for bath- and whirltub</b>						
					<b>790001 00 0 00 0000</b>	<b>170</b>
					<b>790251 00 0 00 1000</b>	<b>230</b>
					<b>790103 00 0 00 0000</b>	<b>65</b>
					<b>790112 00 0 00 0000</b>	<b>225</b>
					<b>791818 00 0 00 0000</b>	1,750
					<b>701121 00 0 00 0000</b>	<b>405</b>

**Infobox:** Bathtubs are cUPC listed / Bathtubs with whirlsystem are cUPC and cIAPMORELECTRICAL listed

**Paiova** Design by E00S

**Bathtub Monolith, for corner right, with one backrest slope right, with integrated acrylic panel and support frame, cUPC listed**  
 1/4" sanitary acrylic

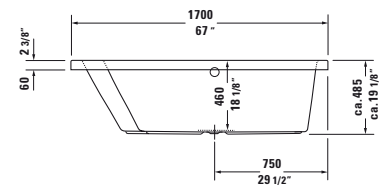
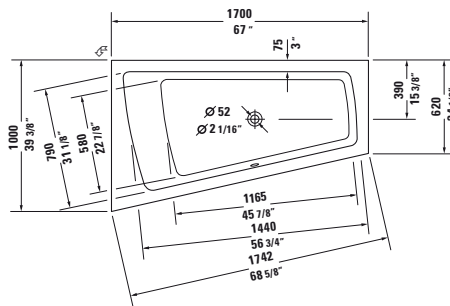


Length inch	Width inch	Depth/Height inch	Capacity gal	Weight lbs	Model-No.	USD
						White - 00
<b>Bathtub</b>						
66 7/8"	39 3/8"	18 1/8"	52.0	168.3	<b>700271 00 0 00 0090</b>	<b>3,475</b>
<b>Bathtub inclusive whirlsystem</b>						
					<b>710271 00 1 00 1090</b>	5,670
					<b>710271 00 2 00 1090</b>	5,670
					<b>710271 00 2 50 1090</b>	6,070
					<b>710271 00 2 51 1090</b>	7,310
					<b>710271 00 3 00 1090</b>	6,895
					<b>710271 00 3 50 1090</b>	7,285
					<b>710271 00 3 51 1090</b>	8,535
					<b>710271 00 4 00 1090</b>	7,475
					<b>710271 00 4 50 1090</b>	7,875
					<b>710271 00 4 51 1090</b>	9,115
					<b>710271 00 1 46 1090</b>	6,245
					<b>710271 00 2 46 1090</b>	6,655
					<b>710271 00 2 52 1090</b>	6,660
					<b>710271 00 2 53 1090</b>	7,930
					<b>710271 00 3 46 1090</b>	7,475
					<b>710271 00 3 52 1090</b>	7,880
					<b>710271 00 3 53 1090</b>	9,150
					<b>710271 00 4 46 1090</b>	8,055
					<b>710271 00 4 52 1090</b>	8,455
					<b>710271 00 4 53 1090</b>	9,730
<b>Accessories for bath- and whirltub</b>						
					<b>790001 00 0 00 0000</b>	<b>170</b>
					<b>790251 00 0 00 1000</b>	<b>230</b>
					<b>790103 00 0 00 0000</b>	<b>65</b>
					<b>790112 00 0 00 0000</b>	<b>225</b>
					<b>791818 00 0 00 0000</b>	1,750
					<b>701120 00 0 00 0000</b>	405

**Infobox:** Bathtubs are cUPC listed / Bathtubs with whirlsystem are cUPC and cIAPMO@ELECTRICAL listed

**Paiova** Design by E00S

**Bathtub built-in, with one backrest slope left, cUPC listed**  
 1/4" sanitary acrylic

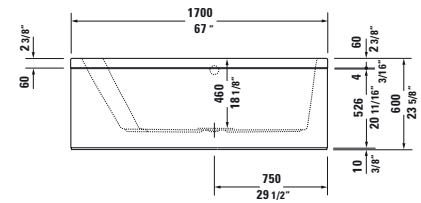
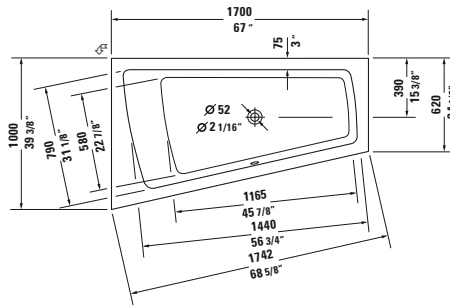


Length inch	Width inch	Depth/Height inch	Capacity gal	Weight lbs	Model-No.	USD
						White - 00
<b>Bathtub</b>						
66 7/8"	39 3/8"	18 1/8"	48.0	68.3	<b>700212 00 0 00 0090</b>	<b>2,270</b>
<b>Bathtub inclusive whirlsystem</b>						
Air-System					<b>710212 00 1 00 1090</b>	4,530
Jet-System					<b>710212 00 2 00 1090</b>	4,530
Jet-System with heater					<b>710212 00 2 50 1090</b>	4,940
Jet-System with heater and ozone					<b>710212 00 2 51 1090</b>	6,215
Combi-System					<b>710212 00 3 00 1090</b>	5,685
Combi-System with heater					<b>710212 00 3 50 1090</b>	6,105
Combi-System with heater and ozone					<b>710212 00 3 51 1090</b>	7,375
Combi-System with light					<b>710212 00 4 00 1090</b>	6,415
Combi-System with light and heater					<b>710212 00 4 50 1090</b>	6,830
Combi-System with light, heater and ozone					<b>710212 00 4 51 1090</b>	8,110
Air-System with remote					<b>710212 00 1 46 1090</b>	5,125
Jet-System with remote					<b>710212 00 2 46 1090</b>	5,125
Jet-System with remote and heater					<b>710212 00 2 52 1090</b>	5,540
Jet-System with remote, heater and ozone					<b>710212 00 2 53 1090</b>	6,860
Combi-System with remote					<b>710212 00 3 46 1090</b>	6,275
Combi-System with remote and heater					<b>710212 00 3 52 1090</b>	6,700
Combi-System with remote, heater and ozone					<b>710212 00 3 53 1090</b>	8,010
Combi-System with light and remote					<b>710212 00 4 46 1090</b>	7,015
Combi-System with light, remote and heater					<b>710212 00 4 52 1090</b>	7,430
Combi-System with light, remote, heater and ozone					<b>710212 00 4 53 1090</b>	8,745
<b>Accessories for bath- and whirltub</b>						
Headrest, White					<b>790001 00 0 00 0000</b>	<b>170</b>
Bathtub anchors					<b>790103 00 0 00 0000</b>	<b>65</b>
Tile flange					<b>790112 00 0 00 0000</b>	<b>225</b>
Support frame, (included)					<b>790113 00 0 00 0000</b>	<b>230</b>
Cable-driven waste and overflow, plastic, Chrome trim					<b>790219 00 0 00 1000</b>	<b>225</b>
Stereo transducers (speakers) for bathtubs and whirltubs					<b>791818 00 0 00 0000</b>	<b>1,750</b>

**Infobox:** Bathtubs are cUPC listed / Bathtubs with whirlsystem are cUPC and cIAPMO®ELECTRICAL listed

**Paiova** Design by E00S

**Bathtub with one backrest slope left, with support frame for panel, cUPC listed**  
 1/4" sanitary acrylic

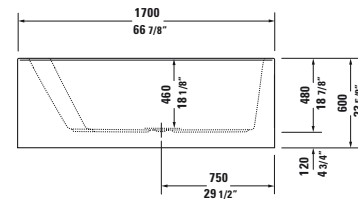
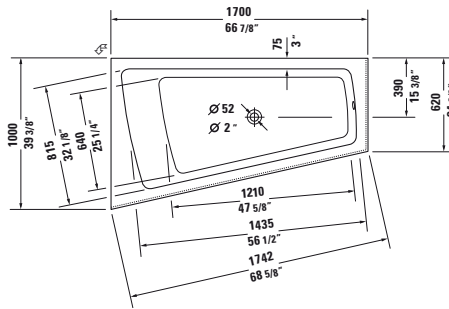


Length inch	Width inch	Depth/Height inch	Capacity gal	Weight lbs	Model-No.	USD
						White - 00
<b>Bathtub</b>						
66 7/8"	39 3/8"	18 1/8"	48.0	101.4	<b>700218 00 0 00 0090</b>	<b>2,380</b>
<b>Bathtub inclusive whirlsystem</b>						
Air-System					<b>710218 00 1 00 1090</b>	4,645
Jet-System					<b>710218 00 2 00 1090</b>	4,645
Jet-System with heater					<b>710218 00 2 50 1090</b>	5,060
Jet-System with heater and ozone					<b>710218 00 2 51 1090</b>	6,340
Combi-System					<b>710218 00 3 00 1090</b>	5,805
Combi-System with heater					<b>710218 00 3 50 1090</b>	6,215
Combi-System with heater and ozone					<b>710218 00 3 51 1090</b>	7,495
Combi-System with light					<b>710218 00 4 00 1090</b>	6,540
Combi-System with light and heater					<b>710218 00 4 50 1090</b>	6,945
Combi-System with light, heater and ozone					<b>710218 00 4 51 1090</b>	8,230
Air-System with remote					<b>710218 00 1 46 1090</b>	5,245
Jet-System with remote					<b>710218 00 2 46 1090</b>	5,245
Jet-System with remote and heater					<b>710218 00 2 52 1090</b>	5,665
Jet-System with remote, heater and ozone					<b>710218 00 2 53 1090</b>	6,975
Combi-System with remote					<b>710218 00 3 46 1090</b>	6,395
Combi-System with remote and heater					<b>710218 00 3 52 1090</b>	6,820
Combi-System with remote, heater and ozone					<b>710218 00 3 53 1090</b>	8,130
Combi-System with light and remote					<b>710218 00 4 46 1090</b>	7,135
Combi-System with light, remote and heater					<b>710218 00 4 52 1090</b>	7,555
Combi-System with light, remote, heater and ozone					<b>710218 00 4 53 1090</b>	8,865
<b>Accessories for bath- and whirltub</b>						
Headrest, White					<b>790001 00 0 00 0000</b>	<b>170</b>
Bathtub anchors					<b>790103 00 0 00 0000</b>	<b>65</b>
Tile flange					<b>790112 00 0 00 0000</b>	<b>225</b>
Cable-driven waste and overflow, plastic, Chrome trim					<b>790219 00 0 00 1000</b>	<b>225</b>
Stereo transducers (speakers) for bathtubs and whirltubs					<b>791818 00 0 00 0000</b>	<b>1,750</b>
Suitable panels see page 470						

**Infobox:** Bathtubs are cUPC listed / Bathtubs with whirlsystem are cUPC and cIAPMO®ELECTRICAL listed

**Paiova** Design by E00S

**Bathtub with one backrest slope left, with integrated acrylic panel and support frame, cUPC listed**  
 1/4" sanitary acrylic

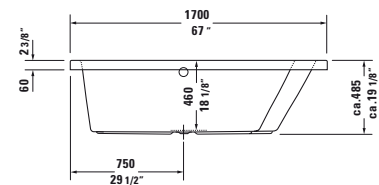
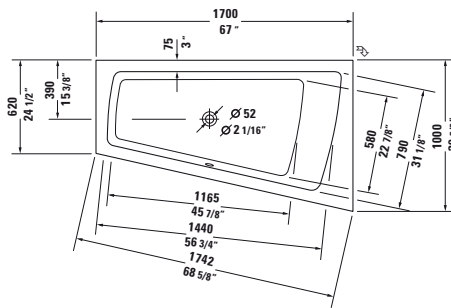


Length inch	Width inch	Depth/Height inch	Capacity gal	Weight lbs	Model-No.	USD
						White - 00
<b>Bathtub</b>						
66 7/8"	39 3/8"	18 1/8"	45.0	150.0	<b>700264 00 0 00 0090</b>	<b>3,650</b>
<b>Bathtub inclusive whirlsystem</b>						
					<b>710264 00 1 00 1090</b>	5,840
					<b>710264 00 2 00 1090</b>	5,840
					<b>710264 00 2 50 1090</b>	6,240
					<b>710264 00 2 51 1090</b>	7,485
					<b>710264 00 3 00 1090</b>	7,065
					<b>710264 00 3 50 1090</b>	7,470
					<b>710264 00 3 51 1090</b>	8,705
					<b>710264 00 4 00 1090</b>	7,650
					<b>710264 00 4 50 1090</b>	8,050
					<b>710264 00 4 51 1090</b>	9,285
					<b>710264 00 1 46 1090</b>	6,420
					<b>710264 00 2 46 1090</b>	6,825
					<b>710264 00 2 52 1090</b>	6,830
					<b>710264 00 2 53 1090</b>	8,105
					<b>710264 00 3 46 1090</b>	7,650
					<b>710264 00 3 52 1090</b>	8,055
					<b>710264 00 3 53 1090</b>	9,325
					<b>710264 00 4 46 1090</b>	8,230
					<b>710264 00 4 52 1090</b>	8,635
					<b>710264 00 4 53 1090</b>	9,905
<b>Accessories for bath- and whirltub</b>						
					<b>790001 00 0 00 0000</b>	<b>170</b>
					<b>790251 00 0 00 1000</b>	<b>230</b>
					<b>790103 00 0 00 0000</b>	<b>65</b>
					<b>790112 00 0 00 0000</b>	<b>225</b>
					<b>791818 00 0 00 0000</b>	<b>1,750</b>

**Infobox:** Bathtubs are cUPC listed / Bathtubs with whirlsystem are cUPC and cIAPMO@ELECTRICAL listed

**Paiova** Design by E00S

**Bathtub built-in, with one backrest slope right, cUPC listed**  
 1/4" sanitary acrylic

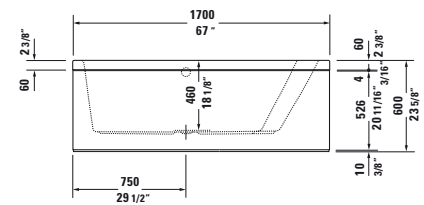
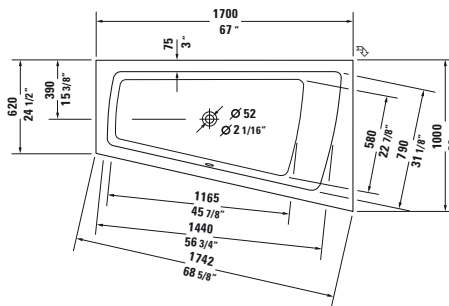


Length inch	Width inch	Depth/Height inch	Capacity gal	Weight lbs	Model-No.	USD
						White - 00
<b>Bathtub</b>						
66 7/8"	39 3/8"	18 1/8"	48.0	68.3	<b>700213 00 0 00 0090</b>	<b>2,270</b>
<b>Bathtub inclusive whirlsystem</b>						
Air-System					<b>710213 00 1 00 1090</b>	4,530
Jet-System					<b>710213 00 2 00 1090</b>	4,530
Jet-System with heater					<b>710213 00 2 50 1090</b>	4,940
Jet-System with heater and ozone					<b>710213 00 2 51 1090</b>	6,215
Combi-System					<b>710213 00 3 00 1090</b>	5,685
Combi-System with heater					<b>710213 00 3 50 1090</b>	6,105
Combi-System with heater and ozone					<b>710213 00 3 51 1090</b>	7,375
Combi-System with light					<b>710213 00 4 00 1090</b>	6,415
Combi-System with light and heater					<b>710213 00 4 50 1090</b>	6,830
Combi-System with light, heater and ozone					<b>710213 00 4 51 1090</b>	8,110
Air-System with remote					<b>710213 00 1 46 1090</b>	5,125
Jet-System with remote					<b>710213 00 2 46 1090</b>	5,125
Jet-System with remote and heater					<b>710213 00 2 52 1090</b>	5,540
Jet-System with remote, heater and ozone					<b>710213 00 2 53 1090</b>	6,860
Combi-System with remote					<b>710213 00 3 46 1090</b>	6,275
Combi-System with remote and heater					<b>710213 00 3 52 1090</b>	6,700
Combi-System with remote, heater and ozone					<b>710213 00 3 53 1090</b>	8,010
Combi-System with light and remote					<b>710213 00 4 46 1090</b>	7,015
Combi-System with light, remote and heater					<b>710213 00 4 52 1090</b>	7,430
Combi-System with light, remote, heater and ozone					<b>710213 00 4 53 1090</b>	8,745
<b>Accessories for bath- and whirltub</b>						
Headrest, White					<b>790001 00 0 00 0000</b>	<b>170</b>
Bathtub anchors					<b>790103 00 0 00 0000</b>	<b>65</b>
Tile flange					<b>790112 00 0 00 0000</b>	<b>225</b>
Support frame, (included)					<b>790113 00 0 00 0000</b>	<b>230</b>
Cable-driven waste and overflow, plastic, Chrome trim					<b>790219 00 0 00 1000</b>	<b>225</b>
Stereo transducers (speakers) for bathtubs and whirltubs					<b>791818 00 0 00 0000</b>	<b>1,750</b>

**Infobox:** Bathtubs are cUPC listed / Bathtubs with whirlsystem are cUPC and cIAPMO®ELECTRICAL listed

**Paiova** Design by E00S

**Bathtub with one backrest slope right, with support frame for panel, cUPC listed**  
 1/4" sanitary acrylic

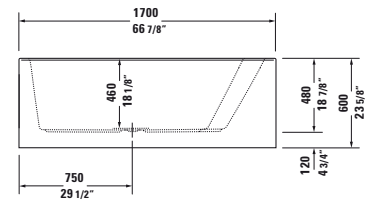
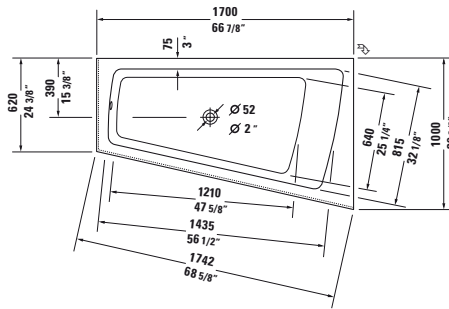


Length inch	Width inch	Depth/Height inch	Capacity gal	Weight lbs	Model-No.	USD
						White - 00
<b>Bathtub</b>						
66 7/8"	39 3/8"	18 1/8"	48.0	101.4	<b>700219 00 0 00 0090</b>	<b>2,380</b>
<b>Bathtub inclusive whirlsystem</b>						
Air-System					<b>710219 00 1 00 1090</b>	4,645
Jet-System					<b>710219 00 2 00 1090</b>	4,645
Jet-System with heater					<b>710219 00 2 50 1090</b>	5,060
Jet-System with heater and ozone					<b>710219 00 2 51 1090</b>	6,340
Combi-System					<b>710219 00 3 00 1090</b>	5,805
Combi-System with heater					<b>710219 00 3 50 1090</b>	6,215
Combi-System with heater and ozone					<b>710219 00 3 51 1090</b>	7,495
Combi-System with light					<b>710219 00 4 00 1090</b>	6,540
Combi-System with light and heater					<b>710219 00 4 50 1090</b>	6,945
Combi-System with light, heater and ozone					<b>710219 00 4 51 1090</b>	8,230
Air-System with remote					<b>710219 00 1 46 1090</b>	5,245
Jet-System with remote					<b>710219 00 2 46 1090</b>	5,245
Jet-System with remote and heater					<b>710219 00 2 52 1090</b>	5,665
Jet-System with remote, heater and ozone					<b>710219 00 2 53 1090</b>	6,975
Combi-System with remote					<b>710219 00 3 46 1090</b>	6,395
Combi-System with remote and heater					<b>710219 00 3 52 1090</b>	6,820
Combi-System with remote, heater and ozone					<b>710219 00 3 53 1090</b>	8,130
Combi-System with light and remote					<b>710219 00 4 46 1090</b>	7,135
Combi-System with light, remote and heater					<b>710219 00 4 52 1090</b>	7,555
Combi-System with light, remote, heater and ozone					<b>710219 00 4 53 1090</b>	8,865
<b>Accessories for bath- and whirltub</b>						
Headrest, White					<b>790001 00 0 00 0000</b>	<b>170</b>
Bathtub anchors					<b>790103 00 0 00 0000</b>	<b>65</b>
Tile flange					<b>790112 00 0 00 0000</b>	<b>225</b>
Cable-driven waste and overflow, plastic, Chrome trim					<b>790219 00 0 00 1000</b>	<b>225</b>
Stereo transducers (speakers) for bathtubs and whirltubs					<b>791818 00 0 00 0000</b>	<b>1,750</b>
Suitable panels see page 470						

**Infobox:** Bathtubs are cUPC listed / Bathtubs with whirlsystem are cUPC and cIAPMO®ELECTRICAL listed

**Paiova** Design by E00S

**Bathtub with one backrest slope right, with integrated acrylic panel and support frame, cUPC listed**  
 1/4" sanitary acrylic



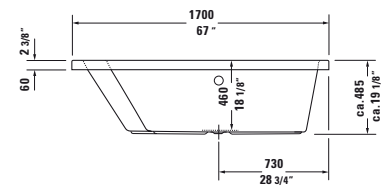
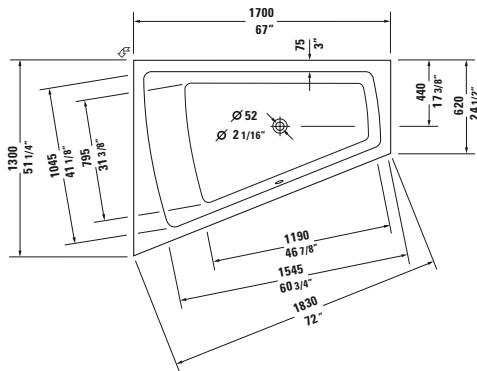
Length inch	Width inch	Depth/Height inch	Capacity gal	Weight lbs	Model-No.	USD
						White - 00
<b>Bathtub</b>						
66 7/8"	39 3/8"	18 1/8"	45.0	150.0	<b>700265 00 0 00 0090</b>	<b>3,650</b>
<b>Bathtub inclusive whirlsystem</b>						
					<b>710265 00 1 00 1090</b>	5,840
					<b>710265 00 2 00 1090</b>	5,840
					<b>710265 00 2 50 1090</b>	6,240
					<b>710265 00 2 51 1090</b>	7,485
					<b>710265 00 3 00 1090</b>	7,065
					<b>710265 00 3 50 1090</b>	7,470
					<b>710265 00 3 51 1090</b>	8,705
					<b>710265 00 4 00 1090</b>	7,650
					<b>710265 00 4 50 1090</b>	8,050
					<b>710265 00 4 51 1090</b>	9,285
					<b>710265 00 1 46 1090</b>	6,420
					<b>710265 00 2 46 1090</b>	6,825
					<b>710265 00 2 52 1090</b>	6,830
					<b>710265 00 2 53 1090</b>	8,105
					<b>710265 00 3 46 1090</b>	7,650
					<b>710265 00 3 52 1090</b>	8,055
					<b>710265 00 3 53 1090</b>	9,325
					<b>710265 00 4 46 1090</b>	8,230
					<b>710265 00 4 52 1090</b>	8,635
					<b>710265 00 4 53 1090</b>	9,905
<b>Accessories for bath- and whirltub</b>						
					<b>790001 00 0 00 0000</b>	<b>170</b>
					<b>790251 00 0 00 1000</b>	<b>230</b>
					<b>790103 00 0 00 0000</b>	<b>65</b>
					<b>790112 00 0 00 0000</b>	<b>225</b>
					<b>791818 00 0 00 0000</b>	<b>1,750</b>

**Infobox:** Bathtubs are cUPC listed / Bathtubs with whirlsystem are cUPC and cIAPMO®ELECTRICAL listed



**Paiova** Design by E00S

**Bathtub built-in, with one backrest slope left, cUPC listed**  
 1/4" sanitary acrylic

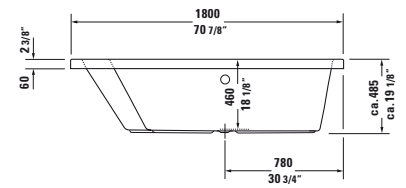
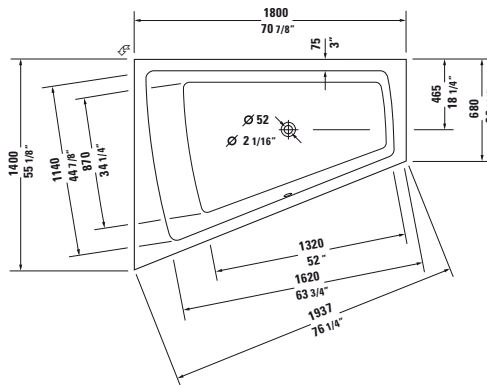


Length inch	Width inch	Depth/Height inch	Capacity gal	Weight lbs	Model-No.	USD
						White - 00
<b>Bathtub</b>						
66 7/8"	51 1/8"	18 1/8"	62.0	88.2	<b>700214 00 0 00 0090</b>	<b>2,375</b>
<b>Bathtub inclusive whirlsystem</b>						
Air-System					<b>710214 00 1 00 1090</b>	4,770
Jet-System					<b>710214 00 2 00 1090</b>	4,770
Jet-System with heater					<b>710214 00 2 50 1090</b>	5,245
Jet-System with heater and ozone					<b>710214 00 2 51 1090</b>	6,575
Combi-System					<b>710214 00 3 00 1090</b>	5,965
Combi-System with heater					<b>710214 00 3 50 1090</b>	6,470
Combi-System with heater and ozone					<b>710214 00 3 51 1090</b>	7,795
Combi-System with light					<b>710214 00 4 00 1090</b>	6,795
Combi-System with light and heater					<b>710214 00 4 50 1090</b>	7,275
Combi-System with light, heater and ozone					<b>710214 00 4 51 1090</b>	8,570
Air-System with remote					<b>710214 00 1 46 1090</b>	5,460
Jet-System with remote					<b>710214 00 2 46 1090</b>	5,460
Jet-System with remote and heater					<b>710214 00 2 52 1090</b>	5,710
Jet-System with remote, heater and ozone					<b>710214 00 2 53 1090</b>	7,150
Combi-System with remote					<b>710214 00 3 46 1090</b>	6,675
Combi-System with remote and heater					<b>710214 00 3 52 1090</b>	7,100
Combi-System with remote, heater and ozone					<b>710214 00 3 53 1090</b>	8,475
Combi-System with light and remote					<b>710214 00 4 46 1090</b>	7,435
Combi-System with light, remote and heater					<b>710214 00 4 52 1090</b>	7,865
Combi-System with light, remote, heater and ozone					<b>710214 00 4 53 1090</b>	9,210
<b>Accessories for bath- and whirltub</b>						
Headrest, White					<b>790001 00 0 00 0000</b>	<b>170</b>
Bathtub anchors					<b>790103 00 0 00 0000</b>	<b>65</b>
Cable-driven waste and overflow, plastic, Chrome trim					<b>790219 00 0 00 1000</b>	<b>225</b>
Tile flange					<b>790112 00 0 00 0000</b>	<b>225</b>
Support frame, (included)					<b>790113 00 0 00 0000</b>	<b>230</b>
Stereo transducers (speakers) for bathtubs and whirltubs					<b>791818 00 0 00 0000</b>	<b>1,750</b>

**Infobox:** Bathtubs are cUPC listed / Bathtubs with whirlsystem are cUPC and cIAPMO@ELECTRICAL listed

**Paiova** Design by E00S

**Bathtub built-in, with one backrest slope left, cUPC listed**  
 1/4" sanitary acrylic

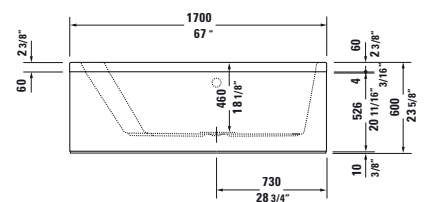
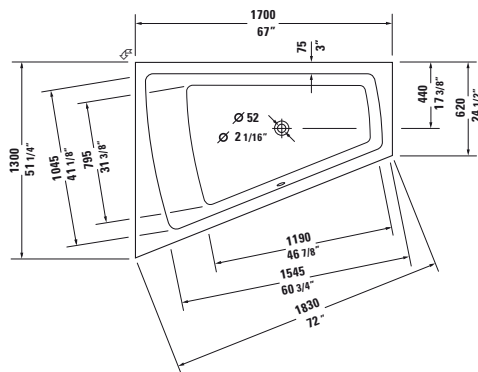


Length inch	Width inch	Depth/Height inch	Capacity gal	Weight lbs	Model-No.	USD
						White - 00
<b>Bathtub</b>						
70 7/8"	55 1/8"	18 1/8"	84.0	99.2	<b>700216 00 0 00 0090</b>	<b>2,540</b>
<b>Bathtub inclusive whirlsystem</b>						
					<b>710216 00 1 00 1090</b>	4,945
					<b>710216 00 2 00 1090</b>	4,945
					<b>710216 00 2 50 1090</b>	5,360
					<b>710216 00 2 51 1090</b>	6,720
					<b>710216 00 3 00 1090</b>	6,165
					<b>710216 00 3 50 1090</b>	6,575
					<b>710216 00 3 51 1090</b>	7,930
					<b>710216 00 4 00 1090</b>	6,870
					<b>710216 00 4 50 1090</b>	7,300
					<b>710216 00 4 51 1090</b>	8,635
					<b>710216 00 1 46 1090</b>	5,585
					<b>710216 00 2 46 1090</b>	5,585
					<b>710216 00 2 52 1090</b>	5,965
					<b>710216 00 2 53 1090</b>	7,360
					<b>710216 00 3 46 1090</b>	6,795
					<b>710216 00 3 52 1090</b>	7,275
					<b>710216 00 3 53 1090</b>	8,570
					<b>710216 00 4 46 1090</b>	7,510
					<b>710216 00 4 52 1090</b>	7,935
					<b>710216 00 4 53 1090</b>	9,275
<b>Accessories for bath- and whirltub</b>						
					<b>790001 00 0 00 0000</b>	<b>170</b>
					<b>790103 00 0 00 0000</b>	<b>65</b>
					<b>790219 00 0 00 1000</b>	<b>225</b>
					<b>790112 00 0 00 0000</b>	<b>225</b>
					<b>790132 00 0 00 0000</b>	<b>230</b>
					<b>791818 00 0 00 0000</b>	<b>1,750</b>

**Infobox:** Bathtubs are cUPC listed / Bathtubs with whirlsystem are cUPC and cIAPMO®ELECTRICAL listed

**Paiova** Design by E00S

**Bathtub with one backrest slope left, with support frame for panel, cUPC listed**  
 1/4" sanitary acrylic

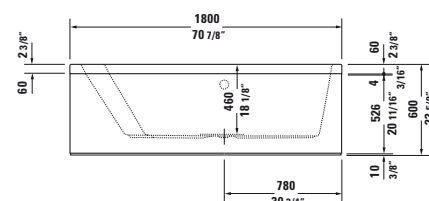
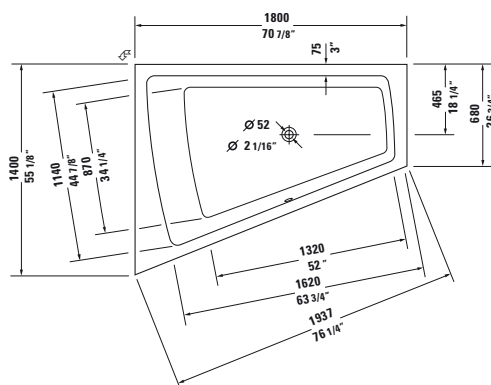


Length inch	Width inch	Depth/Height inch	Capacity gal	Weight lbs	Model-No.	USD
						White - 00
<b>Bathtub</b>						
66 7/8"	51 1/8"	18 1/8"	62.0	121.3	<b>700220 00 0 00 0090</b>	<b>2,595</b>
<b>Bathtub inclusive whirlsystem</b>						
Air-System					<b>710220 00 1 00 1090</b>	4,945
Jet-System					<b>710220 00 2 00 1090</b>	4,945
Jet-System with heater					<b>710220 00 2 50 1090</b>	5,360
Jet-System with heater and ozone					<b>710220 00 2 51 1090</b>	6,710
Combi-System					<b>710220 00 3 00 1090</b>	6,165
Combi-System with heater					<b>710220 00 3 50 1090</b>	6,575
Combi-System with heater and ozone					<b>710220 00 3 51 1090</b>	7,930
Combi-System with light					<b>710220 00 4 00 1090</b>	6,870
Combi-System with light and heater					<b>710220 00 4 50 1090</b>	7,300
Combi-System with light, heater and ozone					<b>710220 00 4 51 1090</b>	8,635
Air-System with remote					<b>710220 00 1 46 1090</b>	5,585
Jet-System with remote					<b>710220 00 2 46 1090</b>	5,585
Jet-System with remote and heater					<b>710220 00 2 52 1090</b>	5,965
Jet-System with remote, heater and ozone					<b>710220 00 2 53 1090</b>	7,360
Combi-System with remote					<b>710220 00 3 46 1090</b>	6,795
Combi-System with remote and heater					<b>710220 00 3 52 1090</b>	7,275
Combi-System with remote, heater and ozone					<b>710220 00 3 53 1090</b>	8,570
Combi-System with light and remote					<b>710220 00 4 46 1090</b>	7,500
Combi-System with light, remote and heater					<b>710220 00 4 52 1090</b>	7,935
Combi-System with light, remote, heater and ozone					<b>710220 00 4 53 1090</b>	9,275
<b>Accessories for bath- and whirltub</b>						
Headrest, White					<b>790001 00 0 00 0000</b>	<b>170</b>
Cable-driven waste and overflow, plastic, Chrome trim					<b>790219 00 0 00 1000</b>	<b>225</b>
Bathtub anchors					<b>790103 00 0 00 0000</b>	<b>65</b>
Tile flange					<b>790112 00 0 00 0000</b>	<b>225</b>
Stereo transducers (speakers) for bathtubs and whirltubs					<b>791818 00 0 00 0000</b>	<b>1,750</b>
Suitable panels see page 470						

**Infobox:** Bathtubs are cUPC listed / Bathtubs with whirlsystem are cUPC and cIAPMO@ELECTRICAL listed

**Paiova** Design by E00S

**Bathtub with one backrest slope left, with support frame for panel, cUPC listed**  
 1/4" sanitary acrylic

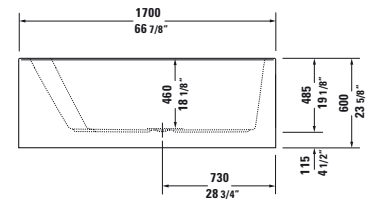
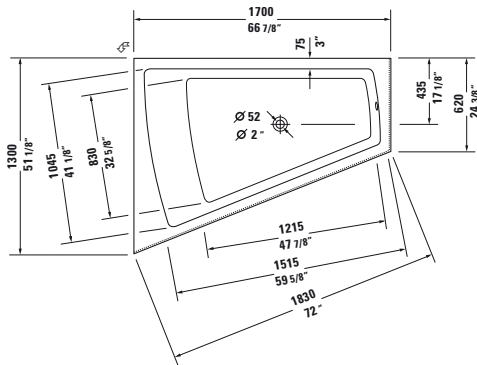


Length inch	Width inch	Depth/Height inch	Capacity gal	Weight lbs	Model-No.	USD
						White - 00
<b>Bathtub</b>						
70 7/8"	55 1/8"	18 1/8"	84.0	132.3	<b>700222 00 0 00 0090</b>	<b>2,925</b>
<b>Bathtub inclusive whirlsystem</b>						
Air-System					<b>710222 00 1 00 1090</b>	5,520
Jet-System					<b>710222 00 2 00 1090</b>	6,355
Jet-System with heater					<b>710222 00 2 50 1090</b>	5,360
Jet-System with heater and ozone					<b>710222 00 2 51 1090</b>	8,110
Combi-System					<b>710222 00 3 00 1090</b>	7,115
Combi-System with heater					<b>710222 00 3 50 1090</b>	7,550
Combi-System with heater and ozone					<b>710222 00 3 51 1090</b>	8,895
Combi-System with light					<b>710222 00 4 00 1090</b>	7,275
Combi-System with light and heater					<b>710222 00 4 50 1090</b>	7,680
Combi-System with light, heater and ozone					<b>710222 00 4 51 1090</b>	9,025
Air-System with remote					<b>710222 00 1 46 1090</b>	6,165
Jet-System with remote					<b>710222 00 2 46 1090</b>	6,785
Jet-System with remote and heater					<b>710222 00 2 52 1090</b>	7,425
Jet-System with remote, heater and ozone					<b>710222 00 2 53 1090</b>	8,770
Combi-System with remote					<b>710222 00 3 46 1090</b>	7,775
Combi-System with remote and heater					<b>710222 00 3 52 1090</b>	7,275
Combi-System with remote, heater and ozone					<b>710222 00 3 53 1090</b>	9,545
Combi-System with light and remote					<b>710222 00 4 46 1090</b>	7,900
Combi-System with light, remote and heater					<b>710222 00 4 52 1090</b>	8,320
Combi-System with light, remote, heater and ozone					<b>710222 00 4 53 1090</b>	9,670
<b>Accessories for bath- and whirltub</b>						
Headrest, White					<b>790001 00 0 00 0000</b>	<b>170</b>
Cable-driven waste and overflow, plastic, Chrome trim					<b>790219 00 0 00 1000</b>	<b>225</b>
Bathtub anchors					<b>790103 00 0 00 0000</b>	<b>65</b>
Tile flange					<b>790112 00 0 00 0000</b>	<b>225</b>
Stereo transducers (speakers) for bathtubs and whirltubs					<b>791818 00 0 00 0000</b>	<b>1,750</b>
Suitable panels see page 470						

**Infobox:** Bathtubs are cUPC listed / Bathtubs with whirlsystem are cUPC and cIAPMO®ELECTRICAL listed

**Paiova** Design by E00S

**Bathtub with one backrest slope left, with integrated acrylic panel and support frame, cUPC listed**  
 1/4" sanitary acrylic

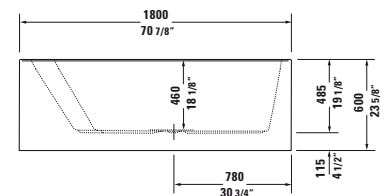
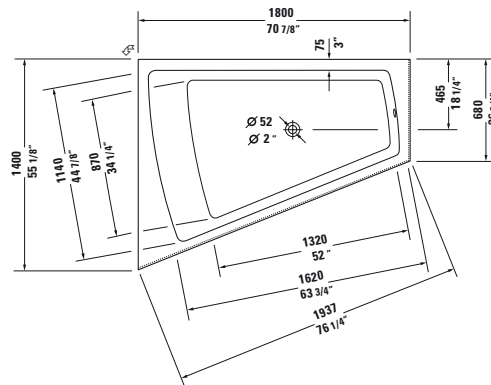


Length inch	Width inch	Depth/Height inch	Capacity gal	Weight lbs	Model-No.	USD
						White - 00
<b>Bathtub</b>						
66 7/8"	51 1/8"	18 1/8"	60.0	155.5	<b>700266 00 0 00 0090</b>	<b>4,165</b>
<b>Bathtub inclusive whirlsystem</b>						
Air-System					<b>710266 00 1 00 1090</b>	6,415
Jet-System					<b>710266 00 2 00 1090</b>	6,415
Jet-System with heater					<b>710266 00 2 50 1090</b>	6,820
Jet-System with heater and ozone					<b>710266 00 2 51 1090</b>	8,060
Combi-System					<b>710266 00 3 00 1090</b>	7,645
Combi-System with heater					<b>710266 00 3 50 1090</b>	8,040
Combi-System with heater and ozone					<b>710266 00 3 51 1090</b>	9,275
Combi-System with light					<b>710266 00 4 00 1090</b>	8,225
Combi-System with light and heater					<b>710266 00 4 50 1090</b>	8,620
Combi-System with light, heater and ozone					<b>710266 00 4 51 1090</b>	9,860
Air-System with remote					<b>710266 00 1 46 1090</b>	7,000
Jet-System with remote					<b>710266 00 2 46 1090</b>	7,395
Jet-System with remote and heater					<b>710266 00 2 52 1090</b>	7,400
Jet-System with remote, heater and ozone					<b>710266 00 2 53 1090</b>	8,680
Combi-System with remote					<b>710266 00 3 46 1090</b>	8,225
Combi-System with remote and heater					<b>710266 00 3 52 1090</b>	8,625
Combi-System with remote, heater and ozone					<b>710266 00 3 53 1090</b>	9,900
Combi-System with light and remote					<b>710266 00 4 46 1090</b>	8,800
Combi-System with light, remote and heater					<b>710266 00 4 52 1090</b>	9,210
Combi-System with light, remote, heater and ozone					<b>710266 00 4 53 1090</b>	10,475
<b>Accessories for bath- and whirltub</b>						
Headrest, White					<b>790001 00 0 00 0000</b>	<b>170</b>
Cable-driven waste and overflow, for central outlet, plastic, Chrome trim					<b>790251 00 0 00 1000</b>	<b>230</b>
Bathtub anchors					<b>790103 00 0 00 0000</b>	<b>65</b>
Tile flange					<b>790112 00 0 00 0000</b>	<b>225</b>
Stereo transducers (speakers) for bathtubs and whirltubs					<b>791818 00 0 00 0000</b>	<b>1,750</b>

**Infobox:** Bathtubs are cUPC listed / Bathtubs with whirlsystem are cUPC and cIAPMO@ELECTRICAL listed

**Paiova** Design by E00S

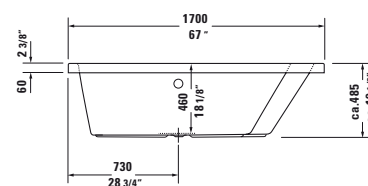
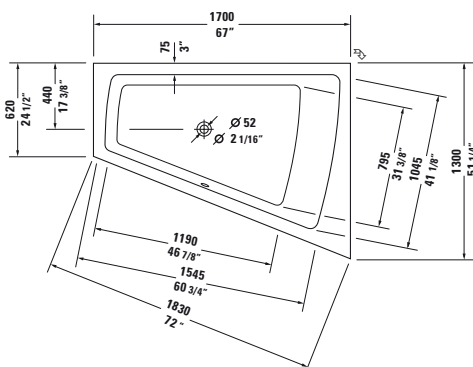
**Bathtub with one backrest slope left, with integrated acrylic panel and support frame, cUPC listed**  
 1/4" sanitary acrylic



Length inch	Width inch	Depth/Height inch	Capacity gal	Weight lbs	Model-No.	USD
						White - 00
<b>Bathtub</b>						
70 7/8"	55 1/8"	18 1/8"	78.0	176.4	<b>700268 00 0 00 0090</b>	4,345
<b>Bathtub inclusive whirlsystem</b>						
Air-System					<b>710268 00 1 00 1090</b>	6,635
Jet-System					<b>710268 00 2 00 1090</b>	6,635
Jet-System with heater					<b>710268 00 2 50 1090</b>	7,030
Jet-System with heater and ozone					<b>710268 00 2 51 1090</b>	8,265
Combi-System					<b>710268 00 3 00 1090</b>	7,845
Combi-System with heater					<b>710268 00 3 50 1090</b>	8,250
Combi-System with heater and ozone					<b>710268 00 3 51 1090</b>	9,490
Combi-System with light					<b>710268 00 4 00 1090</b>	8,430
Combi-System with light and heater					<b>710268 00 4 50 1090</b>	8,825
Combi-System with light, heater and ozone					<b>710268 00 4 51 1090</b>	10,070
Air-System with remote					<b>710268 00 1 46 1090</b>	7,290
Jet-System with remote					<b>710268 00 2 46 1090</b>	7,605
Jet-System with remote and heater					<b>710268 00 2 52 1090</b>	7,610
Jet-System with remote, heater and ozone					<b>710268 00 2 53 1090</b>	8,885
Combi-System with remote					<b>710268 00 3 46 1090</b>	8,430
Combi-System with remote and heater					<b>710268 00 3 52 1090</b>	8,830
Combi-System with remote, heater and ozone					<b>710268 00 3 53 1090</b>	10,110
Combi-System with light and remote					<b>710268 00 4 46 1090</b>	9,005
Combi-System with light, remote and heater					<b>710268 00 4 52 1090</b>	9,415
Combi-System with light, remote, heater and ozone					<b>710268 00 4 53 1090</b>	10,685
<b>Accessories for bath- and whirltub</b>						
Headrest, White					<b>790001 00 0 00 0000</b>	170
Cable-driven waste and overflow, for central outlet, plastic, Chrome trim					<b>790251 00 0 00 1000</b>	230
Bathtub anchors					<b>790103 00 0 00 0000</b>	65
Tile flange					<b>790112 00 0 00 0000</b>	225
Stereo transducers (speakers) for bathtubs and whirltubs					<b>791818 00 0 00 0000</b>	1,750
<b>Infobox:</b> Bathtubs are cUPC listed / Bathtubs with whirlsystem are cUPC and cIAPMO@ELECTRICAL listed						

**Paiova** Design by E00S

**Bathtub built-in, with one backrest slope right, cUPC listed**  
 1/4" sanitary acrylic

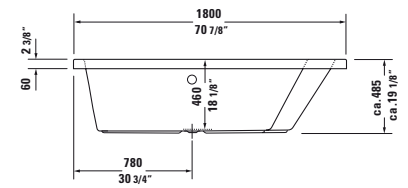
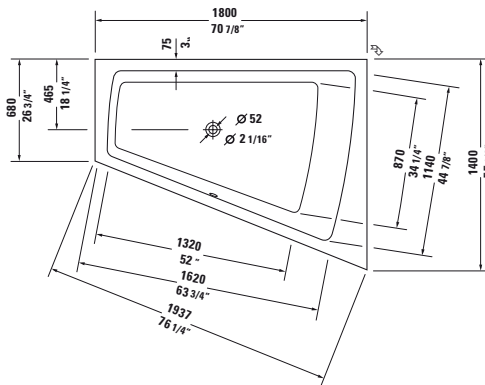


Length inch	Width inch	Depth/Height inch	Capacity gal	Weight lbs	Model-No.	USD
						White - 00
<b>Bathtub</b>						
66 7/8"	51 1/8"	18 1/8"	62.0	88.2	<b>700215 00 0 00 0090</b>	<b>2,375</b>
<b>Bathtub inclusive whirlsystem</b>						
					<b>710215 00 1 00 1090</b>	4,770
					<b>710215 00 2 00 1090</b>	4,770
					<b>710215 00 2 50 1090</b>	5,245
					<b>710215 00 2 51 1090</b>	6,575
					<b>710215 00 3 00 1090</b>	5,965
					<b>710215 00 3 50 1090</b>	6,470
					<b>710215 00 3 51 1090</b>	7,795
					<b>710215 00 4 00 1090</b>	6,795
					<b>710215 00 4 50 1090</b>	7,275
					<b>710215 00 4 51 1090</b>	8,570
					<b>710215 00 1 46 1090</b>	5,460
					<b>710215 00 2 46 1090</b>	5,460
					<b>710215 00 2 52 1090</b>	5,890
					<b>710215 00 2 53 1090</b>	7,275
					<b>710215 00 3 46 1090</b>	6,675
					<b>710215 00 3 52 1090</b>	7,100
					<b>710215 00 3 53 1090</b>	8,475
					<b>710215 00 4 46 1090</b>	7,435
					<b>710215 00 4 52 1090</b>	7,865
					<b>710215 00 4 53 1090</b>	9,210
<b>Accessories for bath- and whirltub</b>						
					<b>790001 00 0 00 0000</b>	170
					<b>790103 00 0 00 0000</b>	65
					<b>790219 00 0 00 1000</b>	225
					<b>790112 00 0 00 0000</b>	225
					<b>790113 00 0 00 0000</b>	230
					<b>791818 00 0 00 0000</b>	1,750

**Infobox:** Bathtubs are cUPC listed / Bathtubs with whirlsystem are cUPC and cIAPMO®ELECTRICAL listed

**Paiova** Design by E00S

**Bathtub built-in, with one backrest slope right, cUPC listed**  
 1/4" sanitary acrylic



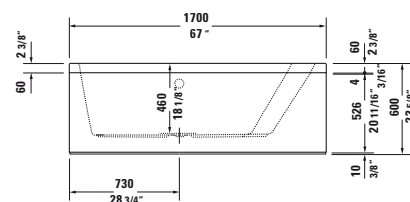
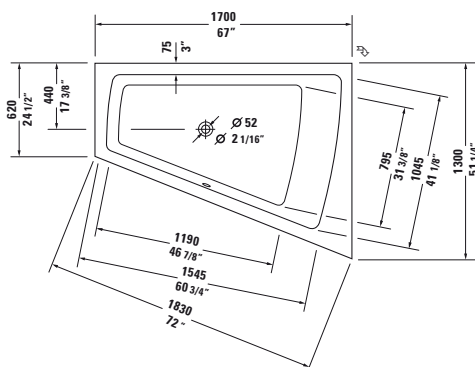
Length inch	Width inch	Depth/Height inch	Capacity gal	Weight lbs	Model-No.	USD
						White - 00
<b>Bathtub</b>						
70 7/8"	55 1/8"	18 1/8"	84.0	99.2	<b>700217 00 0 00 0090</b>	<b>2,540</b>
<b>Bathtub inclusive whirlsystem</b>						
					<b>710217 00 1 00 1090</b>	4,945
					<b>710217 00 2 00 1090</b>	4,945
					<b>710217 00 2 50 1090</b>	5,360
					<b>710217 00 2 51 1090</b>	6,710
					<b>710217 00 3 00 1090</b>	6,165
					<b>710217 00 3 50 1090</b>	6,575
					<b>710217 00 3 51 1090</b>	7,930
					<b>710217 00 4 00 1090</b>	6,870
					<b>710217 00 4 50 1090</b>	7,300
					<b>710217 00 4 51 1090</b>	8,635
					<b>710217 00 1 46 1090</b>	5,585
					<b>710217 00 2 46 1090</b>	5,585
					<b>710217 00 2 52 1090</b>	5,965
					<b>710217 00 2 53 1090</b>	7,360
					<b>710217 00 3 46 1090</b>	6,795
					<b>710217 00 3 52 1090</b>	7,275
					<b>710217 00 3 53 1090</b>	8,570
					<b>710217 00 4 46 1090</b>	7,500
					<b>710217 00 4 52 1090</b>	7,935
					<b>710217 00 4 53 1090</b>	9,275
<b>Accessories for bath- and whirltub</b>						
					<b>790001 00 0 00 0000</b>	<b>170</b>
					<b>790103 00 0 00 0000</b>	<b>65</b>
					<b>790219 00 0 00 1000</b>	<b>225</b>
					<b>790112 00 0 00 0000</b>	<b>225</b>
					<b>790132 00 0 00 0000</b>	<b>230</b>
					<b>791818 00 0 00 0000</b>	<b>1,750</b>

**Infobox:** Bathtubs are cUPC listed / Bathtubs with whirlsystem are cUPC and cIAPMO®ELECTRICAL listed



**Paiova** Design by E00S

**Bathtub with one backrest slope right, with support frame for panel, cUPC listed**  
 1/4" sanitary acrylic

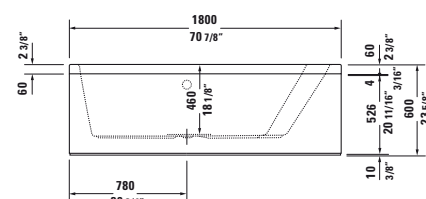
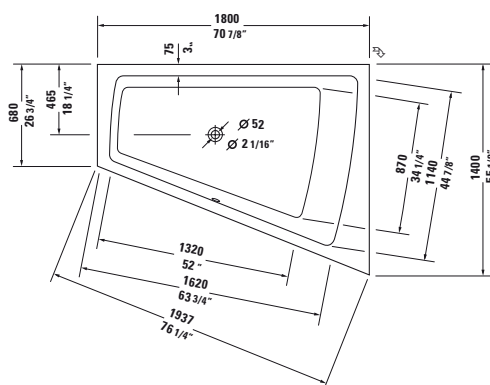


Length inch	Width inch	Depth/Height inch	Capacity gal	Weight lbs	Model-No.	USD
						White - 00
<b>Bathtub</b>						
66 7/8"	51 1/8"	18 1/8"	62.0	121.3	<b>700221 00 0 00 0090</b>	<b>2,595</b>
<b>Bathtub inclusive whirlsystem</b>						
Air-System					<b>710221 00 1 00 1090</b>	4,945
Jet-System					<b>710221 00 2 00 1090</b>	4,945
Jet-System with heater					<b>710221 00 2 50 1090</b>	5,360
Jet-System with heater and ozone					<b>710221 00 2 51 1090</b>	6,710
Combi-System					<b>710221 00 3 00 1090</b>	6,165
Combi-System with heater					<b>710221 00 3 50 1090</b>	6,575
Combi-System with heater and ozone					<b>710221 00 3 51 1090</b>	7,930
Combi-System with light					<b>710221 00 4 00 1090</b>	6,870
Combi-System with light and heater					<b>710221 00 4 50 1090</b>	7,300
Combi-System with light, heater and ozone					<b>710221 00 4 51 1090</b>	8,635
Air-System with remote					<b>710221 00 1 46 1090</b>	5,585
Jet-System with remote					<b>710221 00 2 46 1090</b>	5,585
Jet-System with remote and heater					<b>710221 00 2 52 1090</b>	5,965
Jet-System with remote, heater and ozone					<b>710221 00 2 53 1090</b>	7,360
Combi-System with remote					<b>710221 00 3 46 1090</b>	6,795
Combi-System with remote and heater					<b>710221 00 3 52 1090</b>	7,275
Combi-System with remote, heater and ozone					<b>710221 00 3 53 1090</b>	8,570
Combi-System with light and remote					<b>710221 00 4 46 1090</b>	7,500
Combi-System with light, remote and heater					<b>710221 00 4 52 1090</b>	7,935
Combi-System with light, remote, heater and ozone					<b>710221 00 4 53 1090</b>	9,275
<b>Accessories for bath- and whirltub</b>						
Headrest, White					<b>790001 00 0 00 0000</b>	<b>170</b>
Bathtub anchors					<b>790103 00 0 00 0000</b>	<b>65</b>
Cable-driven waste and overflow, plastic, Chrome trim					<b>790219 00 0 00 1000</b>	<b>225</b>
Tile flange					<b>790112 00 0 00 0000</b>	<b>225</b>
Stereo transducers (speakers) for bathtubs and whirltubs					<b>791818 00 0 00 0000</b>	<b>1,750</b>
Suitable panels see page 470						

**Infobox:** Bathtubs are cUPC listed / Bathtubs with whirlsystem are cUPC and cIAPMO®ELECTRICAL listed

**Paiova** Design by E00S

**Bathtub with one backrest slope right, with support frame for panel, cUPC listed**  
 1/4" sanitary acrylic

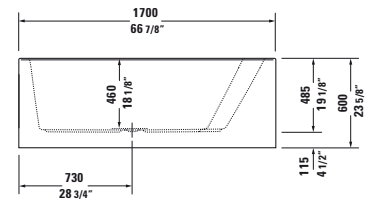
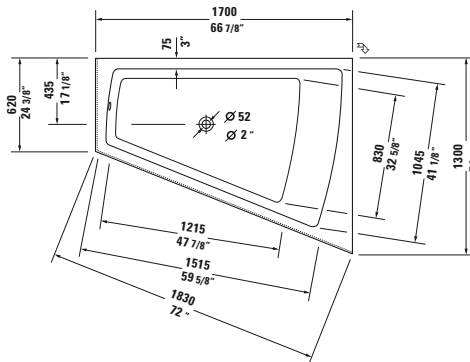


Length inch	Width inch	Depth/Height inch	Capacity gal	Weight lbs	Model-No.	USD
						White - 00
<b>Bathtub</b>						
70 7/8"	55 1/8"	18 1/8"	84.0	132.3	<b>700223 00 0 00 0090</b>	<b>2,925</b>
<b>Bathtub inclusive whirlsystem</b>						
					<b>710223 00 1 00 1090</b>	5,520
					<b>710223 00 2 00 1090</b>	6,355
					<b>710223 00 2 50 1090</b>	6,785
					<b>710223 00 2 51 1090</b>	8,110
					<b>710223 00 3 00 1090</b>	7,115
					<b>710223 00 3 50 1090</b>	7,550
					<b>710223 00 3 51 1090</b>	8,895
					<b>710223 00 4 00 1090</b>	7,275
					<b>710223 00 4 50 1090</b>	7,680
					<b>710223 00 4 51 1090</b>	9,025
					<b>710223 00 1 46 1090</b>	6,165
					<b>710223 00 2 46 1090</b>	7,000
					<b>710223 00 2 52 1090</b>	7,425
					<b>710223 00 2 53 1090</b>	8,770
					<b>710223 00 3 46 1090</b>	7,755
					<b>710223 00 3 52 1090</b>	8,195
					<b>710223 00 3 53 1090</b>	9,545
					<b>710223 00 4 46 1090</b>	7,900
					<b>710223 00 4 52 1090</b>	8,320
					<b>710223 00 4 53 1090</b>	9,670
<b>Accessories for bath- and whirltub</b>						
					<b>790001 00 0 00 0000</b>	<b>170</b>
					<b>790103 00 0 00 0000</b>	<b>65</b>
					<b>790219 00 0 00 1000</b>	<b>225</b>
					<b>790112 00 0 00 0000</b>	<b>225</b>
					<b>791818 00 0 00 0000</b>	<b>1,750</b>

**Infobox:** Bathtubs are cUPC listed / Bathtubs with whirlsystem are cUPC and cIAPMO®ELECTRICAL listed

**Paiova** Design by E00S

**Bathtub with one backrest slope right, with integrated acrylic panel and support frame, cUPC listed**  
 1/4" sanitary acrylic

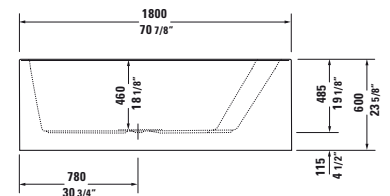
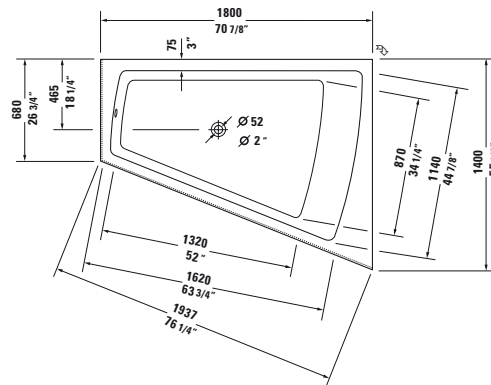


Length inch	Width inch	Depth/Height inch	Capacity gal	Weight lbs	Model-No.	USD
						White - 00
<b>Bathtub</b>						
66 7/8"	51 1/8"	18 1/8"	60.0	155.5	<b>700267 00 0 00 0090</b>	4,165
<b>Bathtub inclusive whirlsystem</b>						
					<b>710267 00 1 00 1090</b>	6,415
					<b>710267 00 2 00 1090</b>	6,415
					<b>710267 00 2 50 1090</b>	6,820
					<b>710267 00 2 51 1090</b>	8,060
					<b>710267 00 3 00 1090</b>	7,645
					<b>710267 00 3 50 1090</b>	8,040
					<b>710267 00 3 51 1090</b>	9,275
					<b>710267 00 4 00 1090</b>	8,225
					<b>710267 00 4 50 1090</b>	8,620
					<b>710267 00 4 51 1090</b>	9,860
					<b>710267 00 1 46 1090</b>	7,000
					<b>710267 00 2 46 1090</b>	7,395
					<b>710267 00 2 52 1090</b>	7,400
					<b>710267 00 2 53 1090</b>	8,680
					<b>710267 00 3 46 1090</b>	8,225
					<b>710267 00 3 52 1090</b>	8,625
					<b>710267 00 3 53 1090</b>	9,900
					<b>710267 00 4 46 1090</b>	8,800
					<b>710267 00 4 52 1090</b>	9,210
					<b>710267 00 4 53 1090</b>	10,475
<b>Accessories for bath- and whirltub</b>						
					<b>790001 00 0 00 0000</b>	170
					<b>790251 00 0 00 1000</b>	230
					<b>790103 00 0 00 0000</b>	65
					<b>790112 00 0 00 0000</b>	225
					<b>791818 00 0 00 0000</b>	1,750

**Infobox:** Bathtubs are cUPC listed / Bathtubs with whirlsystem are cUPC and cIAPMO®ELECTRICAL listed




**Paiova** Design by E00S

**Bathtub with one backrest slope right, with integrated acrylic panel and support frame, cUPC listed**  
 1/4" sanitary acrylic



Length inch	Width inch	Depth/Height inch	Capacity gal	Weight lbs	Model-No.	USD
						White - 00
<b>Bathtub</b>						
70 1/8"	55 1/8"	18 1/8"	78.0	176.4	700269 00 0 00 0090	4,345
<b>Bathtub inclusive whirlsystem</b>						
Air-System					710269 00 1 00 1090	6,635
Jet-System					710269 00 2 00 1090	6,635
Jet-System with heater					710269 00 2 50 1090	7,030
Jet-System with heater and ozone					710269 00 2 51 1090	8,265
Combi-System					710269 00 3 00 1090	7,845
Combi-System with heater					710269 00 3 50 1090	8,250
Combi-System with heater and ozone					710269 00 3 51 1090	9,490
Combi-System with light					710269 00 4 00 1090	8,430
Combi-System with light and heater					710269 00 4 50 1090	8,825
Combi-System with light, heater and ozone					710269 00 4 51 1090	10,070
Air-System with remote					710269 00 1 46 1090	7,210
Jet-System with remote					710269 00 2 46 1090	7,605
Jet-System with remote and heater					710269 00 2 52 1090	7,610
Jet-System with remote, heater and ozone					710269 00 2 53 1090	8,885
Combi-System with remote					710269 00 3 46 1090	8,430
Combi-System with remote and heater					710269 00 3 52 1090	8,830
Combi-System with remote, heater and ozone					710269 00 3 53 1090	10,110
Combi-System with light and remote					710269 00 4 46 1090	9,005
Combi-System with light, remote and heater					710269 00 4 52 1090	9,415
Combi-System with light, remote, heater and ozone					710269 00 4 53 1090	10,685
<b>Accessories for bath- and whirltub</b>						
Headrest, White					790001 00 0 00 0000	170
Cable-driven waste and overflow, for central outlet, plastic, Chrome trim					790251 00 0 00 1000	230
Bathtub anchors					790103 00 0 00 0000	65
Tile flange					790112 00 0 00 0000	225
Stereo transducers (speakers) for bathtubs and whirltubs					791818 00 0 00 0000	1,750
<b>Infobox:</b> Bathtubs are cUPC listed / Bathtubs with whirlsystem are cUPC and cIAPMO®ELECTRICAL listed						

**Paiova Accessories** Design by E00S



	Description	Model-No.	USD
	<b>Headrest</b> for Paiova, material: polyurethane White	<b>790001 00 0 00 0000</b>	<b>170</b>
	<b>Acrylic panel</b> sidewise, left, (for back-to-wall) for # 7X0270	<b>701121 00 0 00 0000</b>	<b>405</b>
	<b>Acrylic panel</b> sidewise, right, (for back-to-wall) for # 7X0271	<b>701120 00 0 00 0000</b>	<b>405</b>

## Paiova Design by E00S

### Product Information

<b>Panel</b>	<b>Decor</b>	<b>14</b> Terra <b>31</b> Pine Silver <b>43</b> Basalt Matt <b>49</b> Graphite Matt <b>51</b> Pine Terra <b>52</b> European Oak <b>53</b> Chestnut Dark <b>73</b> Ticino Cherry Tree <b>79</b> Natural Walnut	<b>Basic material:</b> High-density-fiberboard, with laminate (HPL) pressed on both sides.
	<b>Pricegroup 1</b>		
	<b>Acryl</b>	<b>82</b> Acrylic White	<b>Basic material:</b> 3/8" Acryl solid-colored in white
	<b>Pricegroup 1</b>		
	<b>Real wood veneer</b>	<b>13</b> American Walnut <b>24</b> Macassar <b>26</b> American Cherry Tree	<b>Basic material:</b> High-density-fiberboard, with real wood veneer pressed on one side and laminate (HPL) pressed on other side.  Real wood veneer is a natural material, differences in color and structure may occur.
	<b>Pricegroup 2</b>		
	<b>Real wood veneer</b>	<b>05</b> Oak <b>12</b> Brushed Oak <b>69</b> Brushed Walnut <b>71</b> Mediterranean Oak <b>72</b> Brushed Dark Oak	<b>Basic material:</b> High-density-fiberboard, with real wood veneer pressed on one side and laminate (HPL) pressed on other side.  Real wood veneer is a natural material, differences in color and structure may occur.
	<b>Pricegroup 3</b>		

**Paiova** Design by E00S

Description	inch	Model-No.	USD	USD	USD	USD
			Pricegroup 1	Pricegroup 2	Pricegroup 3	
						
<b>Panel</b>						
for corner left						
for # 7X0218 (66 7/8" x 39 3/8")		<b>PA 8714</b>	700	955	1,025	
for # 7X0220 (66 7/8" x 51 1/8")		<b>PA 8710</b>	750	1,035	1,055	
for # 7X0222 (70 7/8" x 55 1/8")		<b>PA 8712</b>	775	1,055	1,075	
						
<b>Panel</b>						
for corner right						
for # 7X0219 (66 7/8" x 39 3/8")		<b>PA 8715</b>	700	955	1,025	
for # 7X0221 (66 7/8" x 51 1/8")		<b>PA 8711</b>	750	1,035	1,055	
for # 7X0223 (70 7/8" x 55 1/8")		<b>PA 8713</b>	775	1,055	1,075	