



## WASHBASINS AND WASHTROUGHS

Well-maintained toilets and washrooms do not just convey a good image – they demonstrate cleanliness to visitors, be it in a favourite restaurant, exhibition centre or place of work.

### PRODUCT FEATURES

- Hygienic, joint-free basins
- Smooth basin shapes, round, oval and corner versions
- Inset and wall mounted models available
- Overflow kits available
- Mounting kit included
- Hands free washing models available

Available in a choice of finishes:

- Satin polished stainless steel
- High polished stainless steel

Available in a choice of materials:

- Stainless steel
- Composite resin

# WASHBASINS AND WASHTROUGHS

## ROUND INSET WASHBASINS

WASHBASINS AND WASHTROUGHS

IMAGE	ITEM NUMBER	TYPE/MODEL
		<p><b>Rondo inset washbasins 200mm diameter</b></p> <p>Inset washbasin manufactured from stainless steel with finishes as shown below (to bowl interior and exterior). Complete with 32mm waste hole, without overflow, including chrome-plated distance piece, for surface or undermounting installation.</p> <p><b>RNDH200</b> Inset washbasin no overflow, high polish finish inside and out. Ø200mm</p> <p><b>RNDX200</b> Inset washbasin no overflow, satin finish inside and out. Ø200mm</p> <p>Both come with waste kit.</p>

		<p><b>Rondo inset washbasins various sizes</b></p> <p>Inset washbasin manufactured from stainless steel with finishes as shown below (to bowl interior and exterior). For surface or undermounting installation. Includes overflow kit without waste.</p>
		<p><b>RNDH260</b> Inset washbasin with overflow, high polish finish inside and out. Ø260mm</p> <p><b>RNDX260</b> Inset washbasin with overflow, satin finish inside and out. Ø260mm</p>
		<p><b>RNDH300</b> Inset washbasin with overflow, high polish finish inside and out. Ø300mm</p> <p><b>RNDX300</b> Inset washbasin with overflow, satin finish inside and out. Ø300mm</p>
		<p><b>RNDH360</b> Inset washbasin with overflow, high polish finish inside and out. Ø360mm</p> <p><b>RNDX360</b> Inset washbasin with overflow, satin finish inside and out. Ø360mm</p>
		<p><b>RNDH381</b> Inset washbasin with overflow, high polish finish inside and out. Ø381mm</p> <p><b>RNDX381</b> Inset washbasin with overflow, satin finish inside and out. Ø381mm</p>
		<p><b>RNDH420</b> Inset washbasin with overflow, high polish finish inside and out. Ø420mm</p> <p><b>RNDX420</b> Inset washbasin with overflow, satin finish inside and out. Ø420mm</p>
		<p><b>+</b> Requires either</p> <p><b>F2126</b> 32mm slotted spring loaded dome waste <b>or</b></p> <p><b>F2109</b> 32mm chrome-plated syphon and trap</p>

# WASHBASINS AND WASHTROUGHS

## ROUND INSET WASHBASINS

IMAGE	ITEM NUMBER	TYPE/MODEL
	<p><b>Rimmed edge round inset sink bowl</b></p> <p>Round inset sink bowl manufactured from 1.2mm thick, grade 1.4301 (304) stainless steel, satin polish finish. Incorporates a rimmed edge for inserting into a worktop. Prepared for a 32mm waste outlet and overflow. No tap holes are provided, any taps to be fitted must be mounted either through the worktop or wall mounted.</p> <p>Note: It may be necessary to notch the worktop when fitting an overflow.</p>	<p><b>D20140N</b>                      <math>\varnothing</math>305x160mm</p>
<p><b>+ Required</b></p> <p><b>F2117</b>                              32mm waste, plug, chain and overflow</p>		
	<p><b>Rimmed edge round inset sink bowls</b></p> <p>Round inset sink bowl manufactured from 1.2mm thick, grade 1.4301 (304) stainless steel, high polish finish. The bowls incorporate a rimmed edge for inserting into a worktop. Prepared for a 32mm waste outlet and overflow. No tap holes are provided, any taps to be fitted must be mounted either through the worktop or wall mounted.</p> <p>Note: It may be necessary to notch the worktop when fitting an overflow.</p>	<p><b>D20142N</b>                      <math>\varnothing</math>380x160mm  <b>D20144N</b>                      <math>\varnothing</math>432x190mm</p>
<p><b>+ Required</b></p> <p><b>F2117</b>                              32mm waste, plug, chain and overflow</p>		
	<p><b>Inset washbasin</b></p> <p>Fitted with 32mm waste. High polish finish to inside and outside of bowl.</p>	<p><b>BR300OU</b>                      <math>\varnothing</math>340mm</p>
<p><b>+ Required</b></p>		
	<p><b>Inset hand washbasin</b></p> <p>Washbasin for inserting into worktop, manufactured from grade 1.4301 (304) stainless steel – satin polish finish, material thickness 1.2mm. Prepared for 32mm waste outlet and overflow hole with two tap holes in the rear ledge behind the bowl – suitable for basin taps only (Deck mixers cannot be fitted). Bowls are supplied complete with fixing kit for inserting into worktops.</p>	<p><b>D20170N</b>                      External: <math>\varnothing</math>385x160mm, bowl: <math>\varnothing</math>290mm</p>
<p><b>+ Required</b></p> <p><b>F2117</b>                              32mm waste, plug, chain and overflow</p>		
<p><b>+ Recommended</b></p> <p><b>F1080</b>                              13mm crosshead basin taps</p>		

# WASHBASINS AND WASHTROUGHS

## ROUND INSET WASHBASINS

WASHBASINS AND WASHTROUGHS

IMAGE	ITEM NUMBER	TYPE/MODEL
	<b>D20171N</b>	External: $\varnothing 440 \times 130$ mm, bowl: $\varnothing 350 \times 122$ mm
	<p><b>+</b> Required</p> <p><b>F2117</b></p> <p><b>+</b> Recommended</p> <p><b>F1080</b></p>	<p>Washbasin for inserting into worktop, manufactured from grade 1.4301 (304) stainless steel – satin polish finish, material thickness 1.2mm. Prepared for 32mm waste outlet and overflow hole with two tap holes in the rear ledge behind the bowl – suitable for basin taps only (Deck mixers cannot be fitted). Bowls are supplied complete with fixing kit for inserting into worktops.</p> <p>32mm waste, plug, chain and overflow</p> <p>13mm crosshead basin taps</p>

	<b>RNDH450-0</b>	High polish finish inside
	<b>RNDX450-0</b>	Satin finish inside
<p><b>+</b> Required</p> <p><b>F2126</b></p>	<p>Inset washbasin manufactured from grade 1.4301 (304) stainless steel, thickness 1.2mm with finishes as shown below. Deep-drawn in one piece, prepared for 32mm waste and overflow (overflow connection supplied). The bowl can be mounted through the top or alternatively from the underside of the worktop.</p> <p><math>\varnothing 450 \times 330 \times 159</math>mm internal measurement</p> <p>32mm slotted spring loaded dome waste</p>	

	<b>RNDH451-0</b>	High polish finish inside
	<b>RNDX451-0</b>	Satin finish inside
<p><b>+</b> Required</p> <p><b>F2126</b></p>	<p>Inset washbasin manufactured from grade 1.4301 (304) stainless steel, thickness 1.2mm with finishes as shown below. Deep-drawn in one piece with <math>\varnothing 35</math>mm tap hole. Prepared for 32mm waste and overflow. The bowl can be mounted through the top or alternatively from the underside of the worktop.</p> <p><math>\varnothing 450 \times 330 \times 155</math>mm internal measurement</p> <p>32mm slotted spring loaded dome waste</p>	

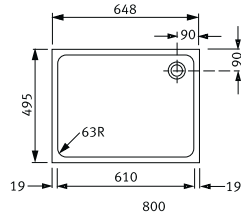
# WASHBASINS AND WASHTROUGHS

## RIMMED EDGE BOWLS FOR INSETTING

IMAGE

ITEM NUMBER

TYPE/MODEL



### Rimmed edge bowl (for inseting)

Large sink bowl for inseting into worktops with a rimmed edge. Manufactured from 1.2mm thick stainless steel with a satin polish finish. An earthing lug is fitted to the underside of the bowl. Supplied with 38mm waste outlet, standpipe strainer, fixing studs and brackets. Full fitting instructions are supplied.

**C20136L/R**

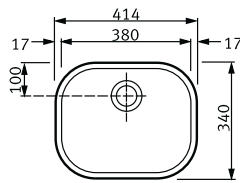
Bowl: 610x460x300mm

L or R after the code number refers to the handing of the waste, ie. left or right when facing front of unit.

WASHBASINS AND WASHTROUGHS



C20120N



### Rimmed edge bowls (for inseting)

A range of small inset sink bowls manufactured from 0.9mm thick grade 1.4301 (304) stainless steel, satin polish finish. All have rimmed edges, suitable for inseting into a worktop. Models C20120N and C20137N have a 17mm rimmed edge whereas all the other sink bowls incorporate a 20mm rimmed edge. Each bowl is prepared for a 38mm waste and overflow. Waste, plug, chain and overflow are available as extras. No tap holes are provided therefore any taps to be fitted must be mounted either through the worktop or on the wall. Fixing clips are supplied with each bowl.

Note: It may be necessary to notch the worktop when fitting an overflow.

**C20120N**

380x300x180mm. Cut out size 390x315mm

**C20174N**

460x340x180mm. Cut out size 470x350mm

**C20175N**

460x340x250mm. Cut out size 470x350mm

**C20132N**

400x400x250mm. Cut out size 410x410mm

**C20133N**

400x400x300mm. Cut out size 410x410mm

**C20137N**

420x350x180mm

**C20148N**

500x400x200mm. Cut out size 510x410

**C20149N**

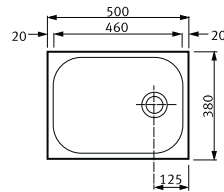
500x400x250mm. Cut out size 510x410

**C20150N**

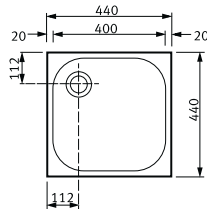
500x400x300mm. Cut out size 510x410



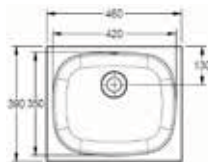
C20174/5N



C20132N/3N



C20137N



**+** Required

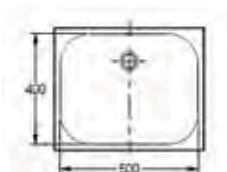
**F2119**

38mm waste, plug, chain and overflow

**Some models also available in grade 316 stainless steel. Please ask us for more details.**



C20148/49/50N



# WASHBASINS AND WASHTROUGHS

## KNEE OPERATED WASHBASINS

WASHBASINS AND WASHTROUGHS

IMAGE	ITEM NUMBER	TYPE/MODEL
	<b>ANMX206</b>	Knee operated washbasin Knee operated hand wash basin is manufactured from stainless steel – satin polish finish, material thickness 0.9mm. Supplied complete with water spout positioned in rear right hand corner and 32mm waste outlet. Note: The pre-mixing valve and the pipework linking the water spout to the knee operated front panel are both supplied with the washbasin. Wall mounted by fitting a top joggle strip under the upstand return and by screw fixing through the integral rear brackets. Screws and plugs are not supplied. External: 460x380x520mm, bowl: 410x265mm



	<b>ANMX216</b>	Knee operated washbasin Knee operated hand wash basin is manufactured from stainless steel – satin polish finish, material thickness 0.9mm. Supplied complete with water spout positioned in rear right hand corner and 32mm waste outlet. Note: The pre-mixing valve and the pipework linking the water spout to the knee operated front panel are both supplied with the washbasin. Wall mounted by fitting a top joggle strip under the upstand return and by screw fixing through the integral rear brackets. Screws and plugs are not supplied. External: 305x268x501mm, bowl: 240x125mm
--	----------------	--


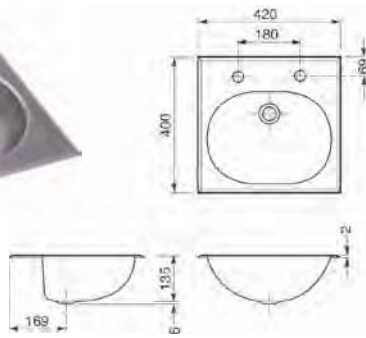

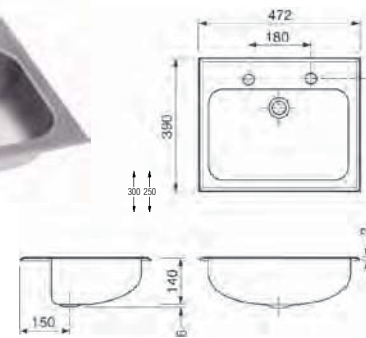


	<b>ANMX212</b>	Knee operated washbasin Knee operated hand wash basin is manufactured from stainless steel – satin polish finish, material thickness 0.9mm. Supplied complete with water spout positioned in rear right hand corner and 32mm waste outlet. Note: The pre-mixing valve and the pipework linking the water spout to the knee operated front panel are both supplied with the washbasin. Wall mounted by fitting a top joggle strip under the upstand return and by screw fixing through the integral rear brackets. Screws and plugs are not supplied. External: 382x335x533mm, bowl: 290x153mm
--	----------------	--


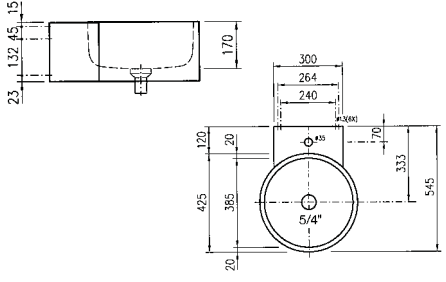


# WASHBASINS AND WASHTROUGHS

## OTHER WASHBASINS

IMAGE	ITEM NUMBER	TYPE/MODEL
  <p>D20167N</p>	<p><b>Inset hand washbasin</b></p> <p>Washbasin for inserting into worktop, manufactured from grade 1.4301 (304) stainless steel – satin polish finish, material thickness 0.9mm. Prepared for 32mm waste outlet and overflow hole with two tap holes in the rear ledge behind the bowl – suitable for either basin taps or deck mixer taps. Bowls are supplied complete with fixing clips for inserting into worktops.</p> <p><b>D20167N</b> External: 420x400mm, bowl: 360x272x135mm</p> <p><b>D20168N</b> External: 472x390mm, bowl: 410x265x140mm</p>	
  <p>D20168N</p>	<p><b>+ Required</b></p> <p><b>F2117</b> 32mm waste, plug, chain and overflow</p> <p><b>+ Recommended</b></p> <p><b>F1080</b> 13mm crosshead basin taps</p>	



 	<p><b>Single washbasin</b></p> <p>Single washbasin, manufactured from stainless steel as a one piece pressing complete with a 38mm waste/overflow fitting, stainless steel integral wall bracket and fascia panel – with a 120mm tap ledge. Screws and dowels included. Material thickness 1.0/1.25mm.</p> <p>External: <math>\varnothing</math>425x545x215, bowl: <math>\varnothing</math>385x170mm</p> <p><b>BRP390</b> Perforated fascia panel</p> <p><b>BRC390SF</b> Smooth fascia panel</p>
--	--



 	<p><b>Centinel washbasin</b></p> <p>The Centinel washbasin is manufactured from 1.2mm thick grade EN 1.4301 (304) stainless steel polished to a satin finish. The bowl is prepared for and supplied with a 32mm flush grated waste only (no overflow can be fitted). Complete with bottom access panel for fixing (using bolts supplied) and plumbing connections.</p> <p>330x350x310mm</p> <p><b>G20131N</b> 1 tap hole</p> <p><b>ANMX205</b> No tap holes</p>
---	---



<p><b>+ Recommended</b></p> <p><b>AQUA201W</b> Self closing pillar tap for connection to pre-mixed warm water</p>
---


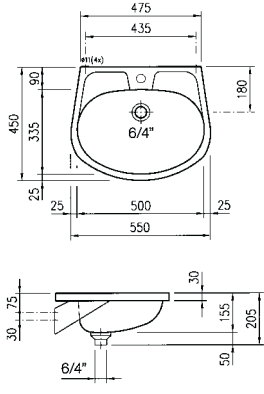
WASHBASINS AND WASHTROUGHS





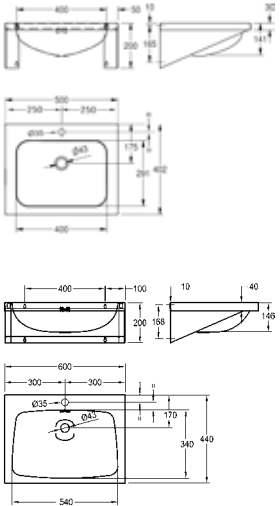



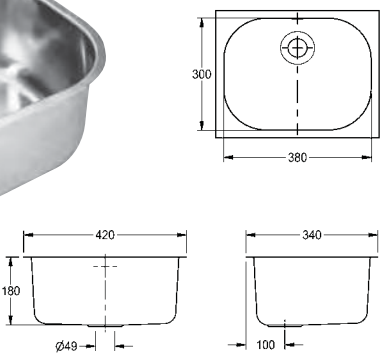
# WASHBASINS AND WASHTROUGHS

## OTHER WASHBASINS

IMAGE	ITEM NUMBER	TYPE/MODEL
		
		
<p><b>Hand washbasin - with soap trays</b></p> <p>Single washbasin made of 0.9mm thick stainless steel with integral soap trays, 32mm BSP waste and complete with wall brackets.</p> <p>External: 550x450x155mm, basin: 500x335x155mm</p> <p><b>BS205-M</b> With overflow, single tap hole, plug and chain</p> <p><b>BS205</b> With overflow and no tap hole</p> <p><b>BS204</b> No overflow and no tap hole</p>		
<p>CE</p>		

		
		
<p><b>Model WB18 washbasin</b></p> <p>Washbasin manufactured from 0.9mm thick grade 1.4301 (304) stainless steel – satin polish finish and high polish for apron support. Prepared for 32mm waste outlet and overflow. Supplied with two tap holes in the rear ledge. Wall mounted by using the fixing holes provided in both the rear upstand and the rear apron fixing brackets. Screws and plugs are not supplied.</p> <p>External: 457x357x165mm, bowl: 410x265x131mm</p> <p><b>D20163N</b> With apron support and waste kit</p> <p><b>D20197N</b> With crosshead taps and waste kit</p> <p><b>D20187N</b> With lever taps and waste kit</p>		
<p>CE</p>		

		
		
		
<p><b>WT500A</b></p> <p><b>WT500A-M</b></p> <p><b>WT600A</b></p> <p><b>WT600A-M</b></p>	<p><b>Washbasin</b></p> <p>Single wash basin for wall mounting, stainless steel, surface satin finished, material thickness 1mm, seamless welded bowl, rectangular shape, 70 or 80mm tap landing (depending upon model), with overflow, 32mm plug waste, integral brackets, includes screws and dowels.</p> <p>Without taphole 500x402x200mm</p> <p>With 35mm taphole 500x402x200mm</p> <p>Without taphole 600x440x200mm</p> <p>With 35mm taphole 600x440x200mm</p>	
<p>CE</p>		

		
		
<p><b>Flat flange bowl for welding in</b></p> <p>A flat flange bowls manufactured from 0.9mm thick grade 1.4301 (304) stainless steel, satin polish finish. Prepared for a 38mm waste and overflow. Waste, plug, chain and overflow is available as an extra. No tap holes are provided therefore any taps to be fitted must be mounted either through the worktop or on the wall. Fixing clips are supplied with each bowl. NOTE: It may be necessary to notch the worktop when fitting an overflow.</p> <p><b>C20166N</b></p> <p><b>+ Required</b></p> <p><b>F2119</b> 38mm waste, plug, chain and overflow</p>		

WASHBASINS AND WASHTROUGHS

# WASHBASINS AND WASHTROUGHS

## OTHER WASHBASINS

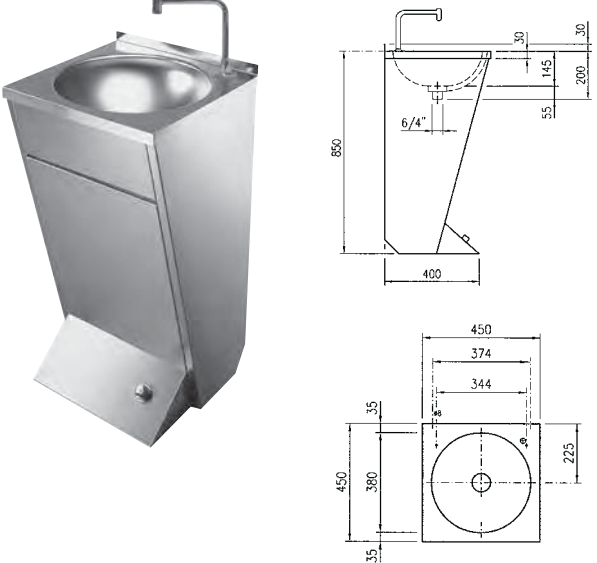
WASHBASINS AND WASHTROUGHS

IMAGE	ITEM NUMBER	TYPE/MODEL
	<b>D20184N</b>	External: 457x357x165mm, bowl: 410x265x131mm

### Handwashpac III (with battery-operated tap)

Handwashpac top is manufactured from grade 1.4301 (304) stainless steel – satin polish finish, material thickness 0.9mm. The apron support is made from 0.9mm material – high polish finish. Supplied complete with battery operated tap and manual soap dispenser. A 32mm flush grated waste outlet is also provided. No overflow is required on this unit. The washbasin is screw fixed to the wall using the fixing holes provided in the rear upstand and on the rear apron fixing brackets (no screws or plugs supplied).




	<b>LP21</b>	450x450x850mm
--	-------------	---------------

### Single washbasin with tap and foot operation

Single washbasin with rear upstand, single tap hole, 32mm BSP waste fitting and complete with three sided pedestal manufactured from stainless steel. Fittings include swan-neck spout and foot-operated timed control push valve for use with a pre-mixed water supply. Screws and dowels included.

#### + Spares

**F1010** Push button valve c/w connection hoses  
**F1015** Push button

	<b>D20200N</b>	External: 450x450x860mm, bowl: Ø273x120mm
---	----------------	--

### Food handler's hand washbasin

Manufactured from 1.2mm thick stainless steel with a satin polish finish throughout and with front leg supports. A thermostatic pre-mixer valve is fitted to provide a constant temperature for the water supply. A paper dispensing housing is located behind the hinged front panel (paper not supplied). The bowl is supplied complete with a 32mm flush grated waste outlet. Two tap holes are provided for fitting the lever operated tap and soap dispensing unit which are both supplied with the wash basin. An earthing lug is fitted to the underside of the bowl. Six fixing holes are provided in the rear returns of the end panels for screwing to the wall (screws and plugs are not supplied).


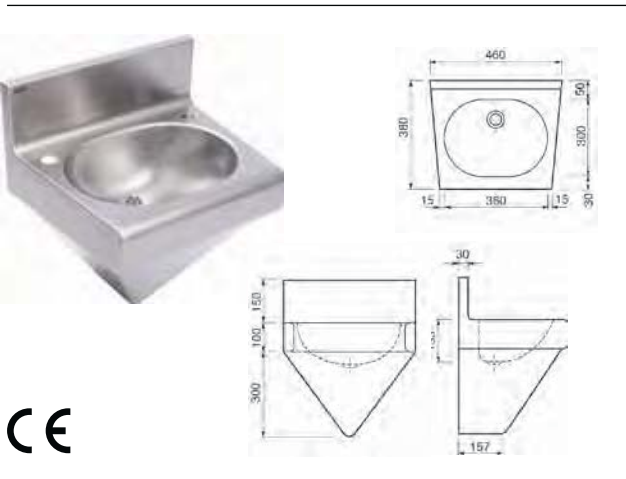
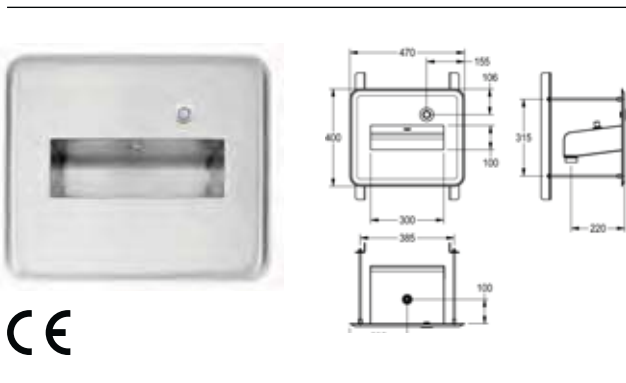
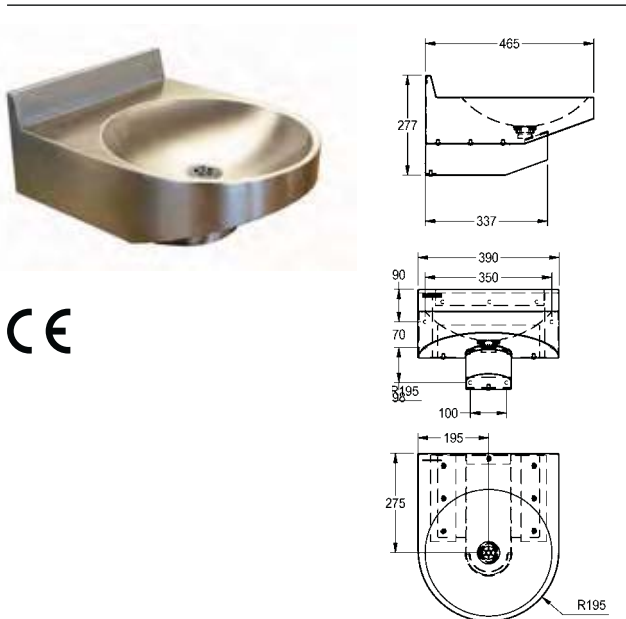
#### + Spares

**F1330** Optima Adriatic high neck basin taps



# WASHBASINS AND WASHTROUGHS

## HEAVY DUTY AND DISABLED WASHBASINS

IMAGE	ITEM NUMBER	TYPE/MODEL
	<p><b>Guardian heavy duty washbasin</b></p> <p>Washbasin is manufactured from 1.2mm thick grade 1.4301 (304) stainless steel polished to a satin finish, with or without tap holes and supplied with a 32mm flush grated waste. Bolt fixed and bolts and fittings are provided. Products can be foam filled on request for extra strength and reduction of noise in a security environment.</p> <p>450x400x280mm</p> <p><b>HDTX450P</b> <b>G20476N</b></p>	<p>No tap holes 2 tap holes</p>
	<p><b>Security washbasin</b></p> <p>The washbasin is manufactured from 1.2mm thick grade 1.4301 (304) stainless steel polished to a satin finish with or without tap holes and supplied with 32mm flush grated waste. Complete with undershield and concealed brackets for screw to wall installation. No screws or dowels included.</p> <p>460x380x550mm</p> <p><b>G20480N</b> <b>G20482N</b></p>	<p>No tap holes tap holes</p>
	<p><b>Wall inset washbasin with electronic water control</b></p> <p>Wall inset washbasin for secure accommodation such as police cells. The front fascia with smooth corners and the basin opening of a suitable size to prevent self harm. Self-closing valve supplied. Designed in conjunction with police authorities. Variations to suit other requirements available. Products can be foam filled, on request, for extra strength and reduction of noise in a security environment.</p> <p><b>HDTX460</b></p>	<p>470x400x250mm</p>
	<p><b>Disabled washbasin with upstand</b></p> <p>Single washbasin manufactured from 1.5mm thick grade EN 1.4301 (304) stainless steel polished to a satin finish. Supplied with a 32mm waste and no overflow. No tap holes are provided, any taps to be fitted must be wall mounted. A stainless steel shroud is included for covering and providing access to the waste. Joggle mounting strip and base bracket provided for mounting. Screws and plugs are not supplied.</p> <p><b>ANMX020</b></p>	

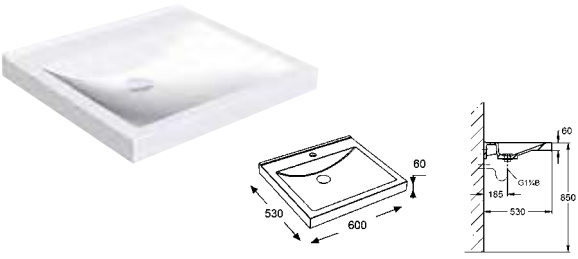
WASHBASINS AND WASHTROUGHS

# WASHBASINS AND WASHTROUGHS

## MIRANIT WASHBASINS

WASHBASINS AND WASHTROUGHS

IMAGE	ITEM NUMBER	TYPE/MODEL
-------	-------------	------------



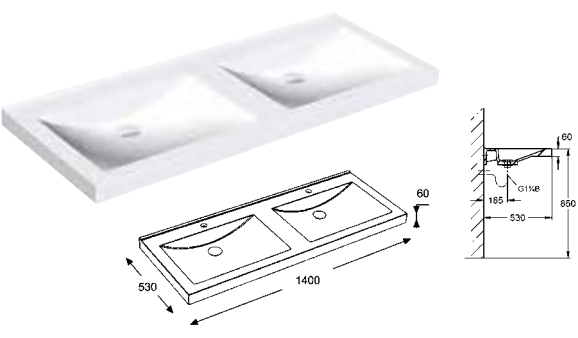
**Quadro washbasin**

Made from MIRANIT resin bonded mineral material, with an alpine white gelcoat surface finish that's smooth, pore-free and temperature resistant up to 80°C. With seamless rectangular bowl, without overflow. Integrated back panel with integrated brackets and holes for fixing. Rear contoured edge. Mounting material included (hanger bolts and dowels).

**Single washbasin**

Length of washbasin: 600mm, bowl dimensions (LxWxH): 520x375x40/90mm, three-sided apron: 60mm

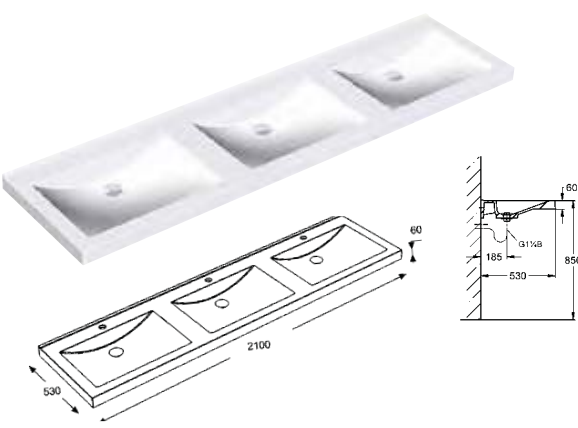
- ANMW410** Without tap hole
- ANMW411** With tap hole



**Double washbasin**

Length of washbasin: 1400mm, bowl dimensions (LxWxH): 580x360x40/90mm, centre-to-centre distance of the bowls: 700mm, three-sided apron: 60mm

- ANMW420** Without tap hole
- ANMW421** With tap hole



**Triple washbasin**

Length of washbasin: 2100mm, bowl dimensions (LxWxH): 580x360x40/90mm, centre-to-centre distance of the bowls: 700mm, three-sided apron: 60mm

- ANMW430** Without tap hole
- ANMW431** With tap hole

**+** Requires either

- F0431** Dome waste outlet 32mm
- F0430** Sieve waste outlet 32mm

**+** Recommended

- F0432** Syphon cover and trap 32mm
- XINX140** Trap cover



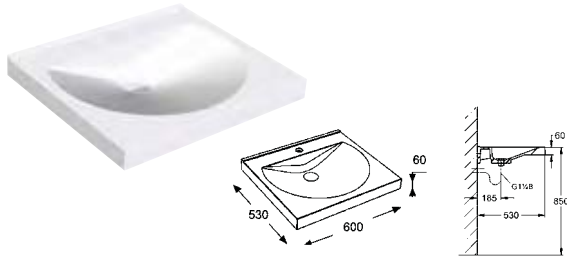
# WASHBASINS AND WASHTROUGHS

## MIRANIT WASHBASINS

IMAGE

ITEM NUMBER

TYPE/MODEL



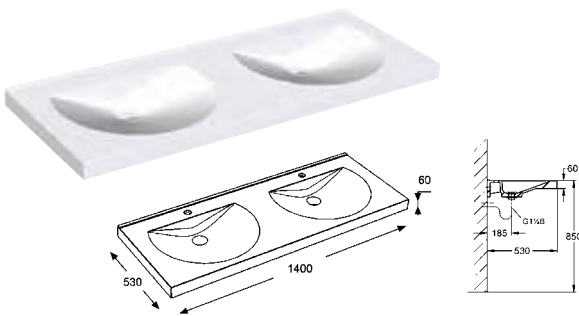
### Ronda washbasin

Made from MIRANIT resin bonded mineral material, with an alpine white gelcoat surface finish that's smooth, pore-free and temperature resistant up to 80°C. With seamless round bowl, flattened out at the rear, without overflow. Integrated back panel with integrated brackets and holes for fixing. Rear contoured edge. Mounting material included (hanger bolts and dowels).

### Single washbasin

Length of washbasin: 600mm, bowl dimensions (LxWxH): 520x380x90mm, three-sided apron: 60mm

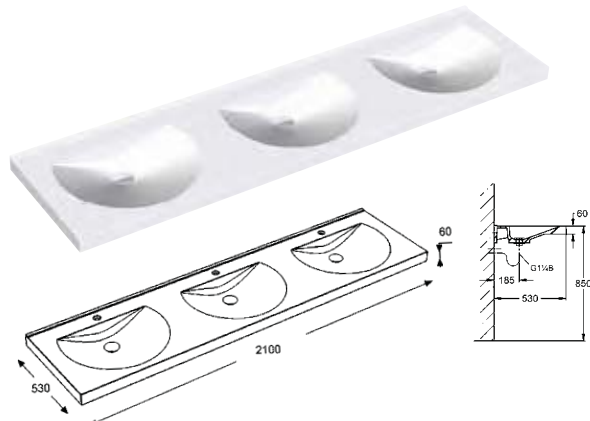
**ANMW210** Without tap hole  
**ANMW211** With tap hole



### Double washbasin

Length of washbasin: 1400mm, bowl dimensions (LxWxH): 540x380x90mm, centre-to-centre distance of the bowls: 700mm, three-sided apron: 60mm

**ANMW220** Without tap hole  
**ANMW221** With tap hole



### Triple washbasin

Length of washbasin: 2100mm, bowl dimensions (LxWxH): 540x380x90mm, centre-to-centre distance of the bowls: 700mm, three-sided apron: 60mm

**ANMW230** Without tap hole  
**ANMW231** With tap hole

### + Requires either

**F0431** Dome waste outlet 32mm  
**F0430** Sieve waste outlet 32mm

### + Recommended

**F0432** Syphon cover and trap 32mm  
**XINX140** Trap cover

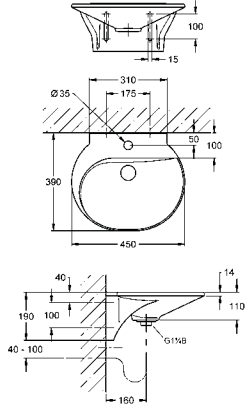


# WASHBASINS AND WASHTROUGHS

## MIRANIT WASHBASINS

WASHBASINS AND WASHTROUGHS

IMAGE	ITEM NUMBER	TYPE/MODEL
-------	-------------	------------



### GAMBA children's washbasin

Made from MIRANIT resin bonded mineral material, with an alpine white gelcoat surface finish that's smooth, pore-free and temperature resistant up to 80°C. The molded form is round with an asymmetric tap landing with storage space including tap hole and small rear upstand. Without overflow. Integral back panel with integrated brackets and fixing holes for height adjustment up to 100mm. Mounting material included (hanger bolts and dowels).

#### ANMW198

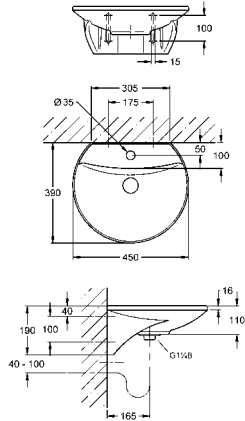
Washbasin dimensions (WxHxD):  
450x110x390mm.  
Rear panel height: 190mm

#### + Requires either

**F0431** Dome waste outlet 32mm  
**F0430** Sieve waste outlet 32mm

#### + Recommended

**F0432** Syphon cover and trap 32mm  
**XINX140** Trap cover



### LUNA children's washbasin

Made from MIRANIT resin bonded mineral material, with an alpine white gelcoat surface finish that's smooth, pore-free and temperature resistant up to 80°C. The molded form is round with a tangential cut and a slightly swept tap landing with storage space including tap hole and small rear upstand. Without overflow. Integral back panel with integrated brackets and fixing holes for height adjustment up to 100mm. Mounting material included (hanger bolts and dowels).

#### ANMW199

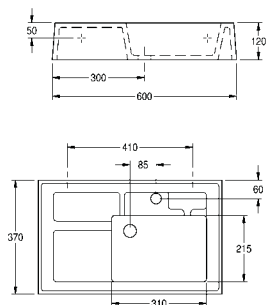
Washbasin dimensions (WxHxD):  
450x390x110mm,  
Rear panel height: 190mm

#### + Requires either

**F0431** Dome waste outlet 32mm  
**F0430** Sieve waste outlet 32mm

#### + Recommended

**F0432** Syphon cover and trap 32mm  
**XINX140** Trap cover



### MIRANIT washbasin and drainer

Classroom sink from MIRANIT resin bonded mineral material, with an alpine white gelcoat surface finish that's smooth, pore-free and temperature resistant up to 80°C. With seamless, rectangular bowl, soap dish and sponge tray. Perforated waste with overflow DN 32, includes mounting material. Supplied with or without tap hole. Tap not included

#### ANMW320

No tap hole

#### ANMW321

Single tap hole



### MIRANIT Repair Kit

Repair kit for products made of resin-bonded mineral material in Alpine White. Consisting of 125 ml gelcoat, 125 ml polishing agent, 2.5 ml hardener, A5 sheet sandpaper (grain size 1200), measuring spoon and wooden spatula. Shelf life of 2-4 weeks if unopened. Must be used within 2 days once opened.

#### ZANMW904

# WASHBASINS AND WASHTROUGHS

BESPOKE MIRANIT WASHBASINS

IMAGE	ITEM NUMBER	TYPE/MODEL
-------	-------------	------------

## Bowl Choice

### Rectangular



### Round



### Oval



## MIRANIT Bespoke

Our new bespoke range of washbasins are custom made sanitary solutions for commercial installations.

Three different bowl shapes can be seamlessly molded into a strikingly graceful washbasin top with a material thickness of just 18mm or 25mm and up to 3.6m in length. There is almost no limit to the variation of ideas; flexible washbasin length, a choice of bowl shapes, number of bowls and bowl spacing. The different designs with or without tap landing also provide the opportunity to include a wide range of fittings to obtain the chosen result. You can even choose from two different materials.

## Style of Washbasin

### Straight



### D Shape



### L Shape



### Corner Convex design



\*Not all choices of bowl shape are available in every style of washbasin.

## Material Choice

### White with Gelcoat surface

Made from 80% natural minerals and approximately 20% high quality unsaturated polyester resin. The core is surrounded by a pore-free smooth high gloss Gelcoat layer.

- Hygienic surface finish which is temperature resistant up to 80°C
- High gloss Gelcoat layer
- Easy to repair and clean
- Durable and fracture proof
- High stability with low material thickness

### Solid matte

Made from 2/3 aluminium hydroxide (ATH) and 1/3 polyester resin and the same colour all the way through, the matte material offers a high level of scratch resistance.

- Easy to repair and clean
- Durable, fracture proof and scratch proof
- High stability with low material thickness
- Material coloured all the way through

## Accessories



## Other Options

- Number of bowls
- Distance between bowls
- Length of washbasin
- Depth of washbasin
- With or without raised back edge
- Apron height
- With or without tapholes

## Accessories Available




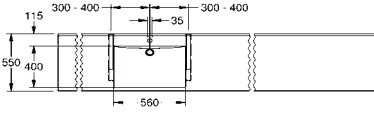
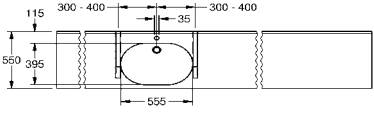
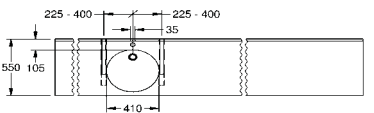

- Soap dispenser
- Towel holder
- Paper towel dispenser
- Waste disposal barrel
- Waste disposal flap


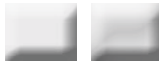

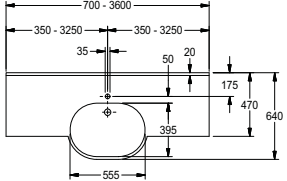
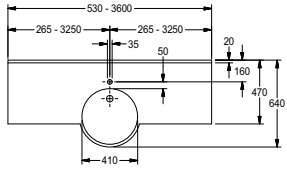



# WASHBASINS AND WASHTROUGHS

BESPOKE MIRANIT WASHBASINS




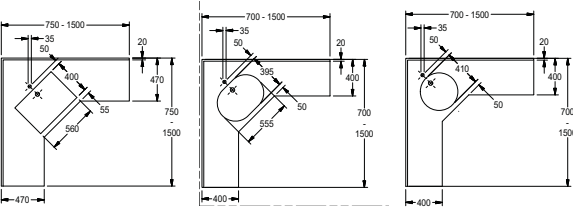

WASHBASINS AND WASHTROUGHS




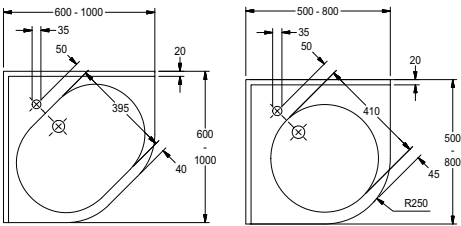

IMAGE	ITEM NUMBER	TYPE/MODEL
      		<p><b>Straight Design</b></p> <p>Washbasin – straight design, made of MIRANIT resin-bonded mineral material with Gelcoat Alpine White glossy coating or Solid White matte material, with up to 5 seamless, molded bowls, 3 different bowl shapes, without overflow. Variable bowl distance, available with/without apron or edges with Gelcoat coating/solid white. Individual washbasin length, with raised edge or splashback. Washbasin thickness 25 mm (MIRANIT mineral material), 18mm (Solid material). Including brackets and fasteners.</p> <p><b>Material:</b></p> <ul style="list-style-type: none"> <li>- Alpine White glossy</li> <li>- Solid White matte</li> </ul> <p><b>Bowl shape:</b></p> <ul style="list-style-type: none"> <li>- Rectangular (560 x 90 x 400 mm)</li> <li>- Oval (555 x 90 x 395 mm)</li> <li>- Round (410 x 90 mm)</li> </ul> <p>Number of bowls: ..... (min. 1 unit, max. 5 units)</p> <p><b>Size:</b></p> <p>Washbasin length: ..... mm (max. 3600 mm)</p> <p>Washbasin depth:</p> <ul style="list-style-type: none"> <li>- 470 mm without taphole</li> <li>- 550 mm with taphole</li> <li>- 550 mm without taphole</li> </ul> <p>Distance between bowls: ..... mm</p> <p>Min. distance (round) 450 mm/min. distance (rectangular/oval) 600 mm</p> <p><b>Design options:</b></p> <ul style="list-style-type: none"> <li>- Apron</li> <li>- Right</li> <li>- Left</li> <li>- Front</li> <li>- Apron height: ..... (max. 150 mm)</li> <li>- Without apron</li> <li>- Edges with Gelcoat or Solid</li> <li>- Without raised edge (3 mm)</li> <li>- Rear splashback: ..... (min. 10 mm, max. 100 mm)</li> </ul> <p><b>Holes for:</b></p> <ul style="list-style-type: none"> <li>- Soap dispenser</li> <li>- Paper towel dispenser</li> <li>- Waste disposal flap</li> <li>- Waste disposal with Gelcoat</li> <li>- Hand towel holder</li> <li>- Stainless steel waste disposal barrel</li> </ul>

     		<p><b>Straight Design with D Shape</b></p> <p>Washbasin – straight design with D-shape, made of MIRANIT resin-bonded mineral material with Gelcoat Alpine White glossy coating or Solid White matte material, with up to 3 seamless, molded bowls, 2 different bowl shapes, without overflow. Variable bowl distance, available with/without apron or edges with Gelcoat coating/solid white. Individual washbasin length, with raised edge or splashback. Washbasin thickness 25 mm (MIRANIT mineral material), 18 mm (Solid material). Including brackets and fasteners.</p> <p><b>Material:</b></p> <ul style="list-style-type: none"> <li>- Alpine White glossy</li> <li>- Solid White matte</li> </ul> <p><b>Bowl shape:</b></p> <ul style="list-style-type: none"> <li>- Oval (555 x 90 x 395 mm)</li> <li>- Round (410 x 90 mm)</li> </ul> <p>Number of bowls: ..... (min. 1 unit, max. 3 units)</p> <p><b>Size:</b></p> <p>Wash basin length: ..... mm (max. 3600 mm)</p> <p>Wash basin depth:</p> <ul style="list-style-type: none"> <li>- 470 mm without taphole</li> <li>- 640 mm with taphole</li> <li>- 640 mm without taphole</li> </ul> <p>Distance between bowls: ..... mm</p> <p>Min. distance (oval) 600 mm/min. distance (round) 450 mm</p> <p><b>Design options:</b></p> <ul style="list-style-type: none"> <li>- Apron</li> <li>- Right</li> <li>- Left</li> <li>- Front</li> <li>- Apron height: ..... (max. 150 mm)</li> <li>- Without apron</li> <li>- Edges with Gelcoat or Solid</li> <li>- Without raised edge (3 mm)</li> <li>- Rear splashback: ..... (min. 10 mm, max. 100 mm)</li> </ul> <p><b>Holes for:</b></p> <ul style="list-style-type: none"> <li>- Soap dispenser</li> <li>- Paper towel dispenser</li> <li>- Waste disposal flap</li> <li>- Waste disposal with Gelcoat</li> <li>- Hand towel holder</li> <li>- Stainless steel waste disposal barrel</li> </ul>
--	--	--

# WASHBASINS AND WASHTROUGHS

## BESPOKE MIRANIT WASHBASINS

IMAGE	ITEM NUMBER	TYPE/MODEL
   		<p><b>Corner Design L Shape</b></p> <p>Washbasin – Corner design L-shaped, made of MIRANIT resin-bonded mineral material with Gelcoat Alpine White glossy coating or Solid White matte material, one seamless molded bowl, 3 different bowl shapes, without overflow. Available with/without apron or edges with Gelcoat coating/solid white. Individual washbasin length, with raised edge or splashback, washbasin thickness 25 mm (MIRANIT mineral material), 18 mm (Solid material). Including brackets and fasteners.</p> <p><b>Material:</b></p> <ul style="list-style-type: none"> <li>- Alpine White glossy</li> <li>- Solid White matte</li> </ul> <p><b>Bowl shape:</b></p> <ul style="list-style-type: none"> <li>- Rectangular (560 x 90 x 400 mm)</li> <li>- Oval (555 x 90 x 395 mm)</li> <li>- Round (410 x 90 mm)</li> </ul> <p>Number of bowls: 1</p> <p><b>Size:</b></p> <p>Washbasin length: Left side:..... mm (max. 1500 mm)  Washbasin length: Right side: ..... mm (max. 1500 mm)  Washbasin depth: - 400 mm (round/oval basin)  - 400 mm (rectangular basin)  - With taphole  - Without taphole</p> <p><b>Design options</b></p> <p>Apron</p> <ul style="list-style-type: none"> <li>- Right - Without apron</li> <li>- Left Edges with Gelcoat or Solid</li> <li>- Front - Without raised edge (3 mm)</li> </ul> <p>Apron height: .....  (max. 150 mm) - Rear splashback: .....  (min. 10 mm, max. 100 mm)</p> <p><b>Holes for:</b></p> <ul style="list-style-type: none"> <li>- Soap dispenser</li> <li>- Paper towel dispenser</li> <li>- Waste disposal flap</li> <li>- Waste disposal with Gelcoat</li> <li>- Hand towel holder</li> <li>- Stainless steel waste disposal barrel</li> </ul>
		

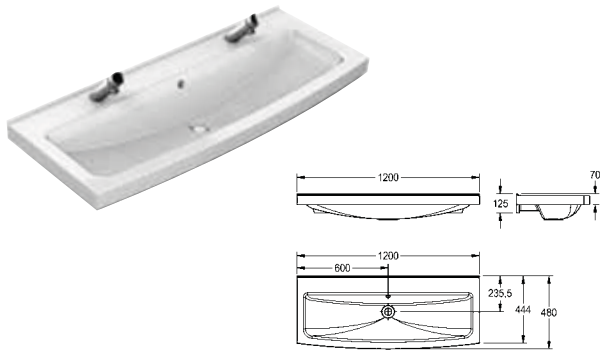
   		<p><b>Corner Design Convex</b></p> <p>Washbasin – Corner design convex, made of MIRANIT resin-bonded mineral material with Gelcoat Alpine White glossy coating or Solid White matte material, one seamless molded bowl, 2 different bowl shapes, without overflow. Available with/without apron or edges with Gelcoat coating/solid white. Individual washbasin length, with raised edge or splashback. Washbasin thickness 25 mm (MIRANIT mineral material), 18 mm (Solid material). Including brackets and fasteners.</p> <p><b>Material:</b></p> <ul style="list-style-type: none"> <li>- Alpine White glossy</li> <li>- Solid White matte</li> </ul> <p><b>Bowl shape:</b></p> <ul style="list-style-type: none"> <li>- Oval (555 x 90 x 395 mm)</li> <li>- Round (410 x 90 mm)</li> </ul> <p>Number of bowls: 1</p> <p><b>Size Washbasin:</b></p> <ul style="list-style-type: none"> <li>- 500 x 500mm (round bowl)</li> <li>- 600 x 600mm (round/oval bowl)</li> <li>- 700 x 700 mm (round/oval bowl)</li> <li>- 800 x 800 mm (round/oval bowl)</li> <li>- 900 x 900 mm (oval bowl)</li> <li>- 1000 x 1000 mm (oval bowl)</li> <li>- With taphole</li> <li>- Without taphole</li> </ul> <p><b>Design options:</b></p> <p>Apron</p> <ul style="list-style-type: none"> <li>- Front - Without apron</li> <li>Edges with Gelcoat or Solid</li> <li>- Without raised edge (3 mm)</li> </ul> <p>- Apron height: .....  (max. 150 mm) - Rear splashback: .....  (min. 10 mm, max. 100 mm)</p> <p><b>Holes for:</b></p> <ul style="list-style-type: none"> <li>- Soap dispenser</li> <li>- Hand towel holder</li> </ul>
		

# WASHBASINS AND WASHTROUGHS

## MIRANIT WASHTROUGHS

WASHBASINS AND WASHTROUGHS

IMAGE	ITEM NUMBER	TYPE/MODEL
-------	-------------	------------

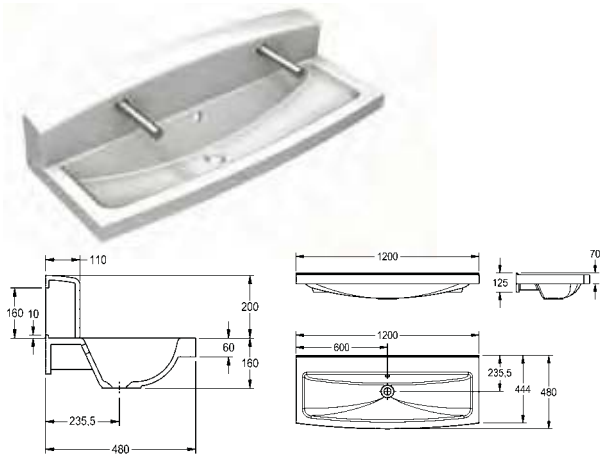


### MIRANIT Washtrough

Made from MIRANIT resin bonded mineral material, with an alpine white gelcoat surface finish that's smooth, pore-free and temperature resistant up to 80°. Washtroughs include a 32mm waste kit with overflow and tap deck with integral back panel and fixing kit for ease of installation.

Available with 2 tapholes for 2 users (1200mm), 3 tapholes for 3 users (1800mm) and 4 tapholes for 4 users (2400mm), with or without splashback. There is also a choice of either self-closing or electronic, touch free taps with all models.

Other modifications such as the inclusion of deck mounted soap dispensers, without overflow and without tapholes are also available if required. Please ask us for more details.



2 users – 1200mm x 480mm

**SOLX1200**  
**SOLX1200T**

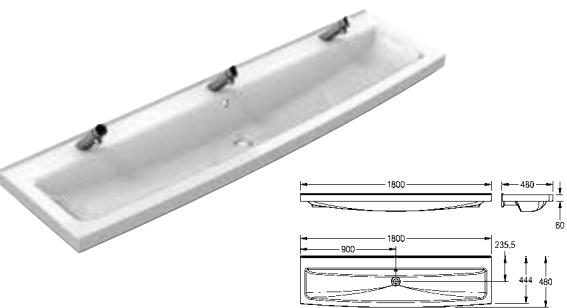
With tap landing and no tapholes  
With tap landing and 2 tapholes at 35mm diameter

**SOLX1200M**  
**SOLX1200E**

With tap landing and self closing taps  
With tap landing and electronic touch free taps

**SOLX1200SB**  
**SOLX1200SBM**  
**SOLX1200SBE**

With splashback and no tapholes  
With splashback and self closing taps  
With splashback and electronic touch free taps



3 users – 1800mm x 480mm

**SOLX1800**  
**SOLX1800T**

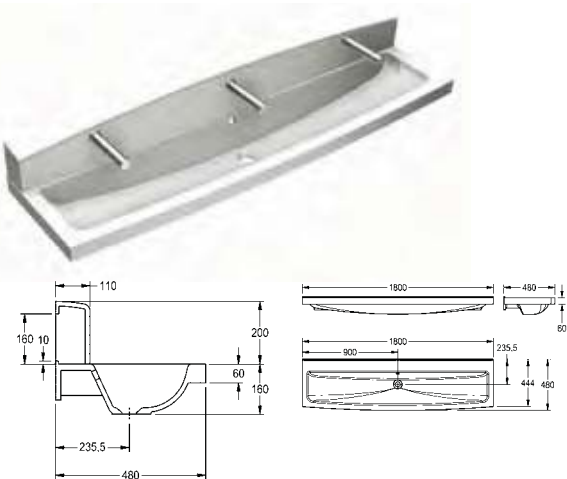
With tap landing and no tapholes  
With tap landing and 3 tapholes at 35mm diameter

**SOLX1800M**  
**SOLX1800E**

With tap landing and self closing taps  
With tap landing and electronic touch free taps

**SOLX1800SB**  
**SOLX1800SBM**  
**SOLX1800SBE**

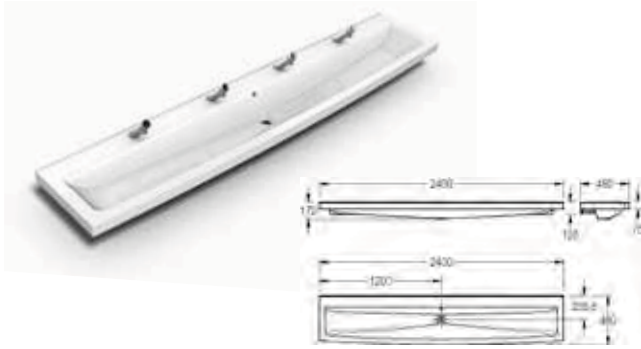
With splashback and no tapholes  
With splashback and self closing taps  
With splashback and electronic touch free taps



# WASHBASINS AND WASHTROUGHS

## MIRANIT WASHTROUGHS

IMAGE	ITEM NUMBER	TYPE/MODEL
-------	-------------	------------



4 users – 2400mm x 480mm

**SOLX2400**  
**SOLX2400T**

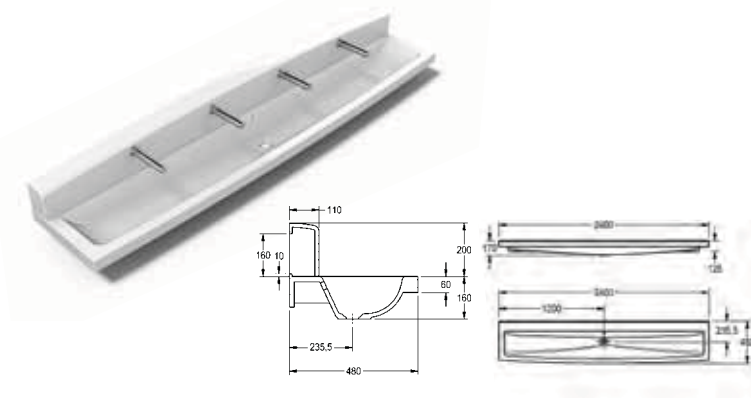
With tap landing and no tapholes  
With tap landing and 4 tapholes at 35mm diameter

**SOLX2400M**  
**SOLX2400E**

With tap landing and self closing taps  
With tap landing and electronic touch free taps

**SOLX2400SB**  
**SOLX2400SBM**  
**SOLX2400SBE**

With splashback and no tapholes  
With splashback and self closing taps  
With splashback and electronic touch free taps



**PLEASE NOTE: For all troughs with splashback (SB), we can offer tapholes but the size would need to be specified when placing an order.**

### TAPS USED ON MIRANIT WASHTROUGHS

#### Manual Taps

##### Deck Mounted



Franke Self Closing Pillar Tap for connecting to pre-mixed warm water **AQUA201W**  
See P114 for full technical details

##### Splashback Mounted



Franke Self Closing Bib Tap for connecting to pre-mixed warm water **AQUA205W**  
See P114 for full technical details

#### Electronic Taps

##### Deck Mounted



Dart Valley Systems Aquarius A45 Deck Mounted Electronic Tap **AT03-011**  
(re-order code **F3138**)

##### Splackback Mounted



Dart Valley Systems Aquarius Wall Mounted 150mm touch free spout **AT02-001**  
(re-order code **F3130**)

\*Taps are for mains operation, battery operated are available on request.



#### Colours available

- Red
- Yellow
- Blue
- Light wood grain effect

#### Included:

1200mm 2 locked front panels, 2 return end panels  
1800mm 3 locked front panels, 2 return end panels  
2400mm 4 locked front panels, 2 return end panels

Please contact us if the washtrough is to be fitted between two walls or into a corner. Additional colours also available on request.

#### Vanity underframe with access panels

Decorative solid grade 8mm laminate panels with hinges and a lock to complete the range. The material consists of layers of kraft paper and two decorative sides impregnated with thermosetting resin. Their strengthened technical properties and antibacterial surface treatment makes them particularly suitable for intensive usage (public places), areas of high humidity (washrooms) or hygienic environments (healthcare).

**SOLX1200VR**  
**SOLX1200VB**  
**SOLX1200VY**  
**SOLX1200VWG**

For 1200mm MIRANIT washtrough, Red  
For 1200mm MIRANIT washtrough, Blue  
For 1200mm MIRANIT washtrough, Yellow  
To suit 1200mm MIRANIT washtrough, colour Light wood grain effect

**SOLX2400VR**  
**SOLX1800VB**  
**SOLX1800VY**  
**SOLX1800VWG**

For 1800mm MIRANIT washtrough, Red  
For 1800mm MIRANIT washtrough, Blue  
For 1800mm MIRANIT washtrough, Yellow  
For 1800mm MIRANIT washtrough, Light wood grain effect

**SOLX1800VR**  
**SOLX2400VB**  
**SOLX2400VY**  
**SOLX2400VWG**

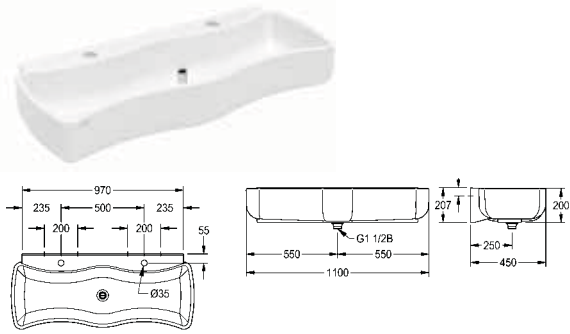
For 2400mm MIRANIT washtrough, Red  
For 2400mm MIRANIT washtrough, Blue  
For 2400mm MIRANIT washtrough, Yellow  
For 2400mm MIRANIT washtrough, Light wood grain effect

# WASHBASINS AND WASHTROUGHS

## MIRANIT CHILDRENS' WASHTROUGHS

WASHBASINS AND WASHTROUGHS

IMAGE	ITEM NUMBER	TYPE/MODEL
-------	-------------	------------



### MIRANIT children's wash and play trough

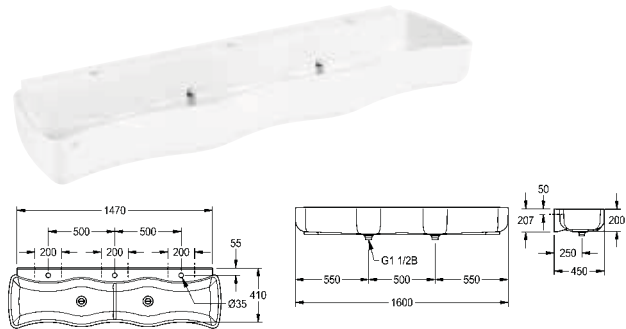
Made from MIRANIT resin bonded mineral material, with an alpine white gelcoat surface finish that's smooth, pore-free and temperature resistant up to 80°.

Our WASHINO wash and play troughs are available for 2, 3 or 4 users.

The playful wave and pleasant warm surface of the MIRANIT material are a temptation for children to wash their hands. A high resistance to impact and abrasion, emphasises how well these wash and play troughs are suitable for everyday use.

The larger outer radii of the mineral granite made basins reduce the risk of injury, whilst the generous inner radii and their seamless design make cleaning the washtroughs an easy task.

All models are supplied with a waste and overflow as well as a tap hole for each wash place, integrated basin back panel and mounting material to make mounting easy.



### SANW200

Washino 2 child play trough

### SANW215

Washino 3 child play trough

### SANW205

Washino 4 child play trough

### SANW211

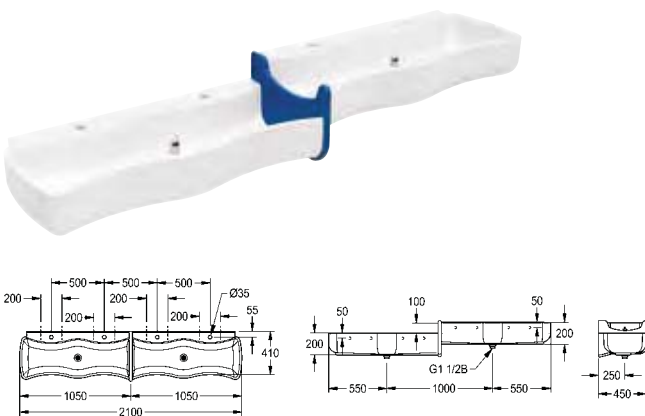
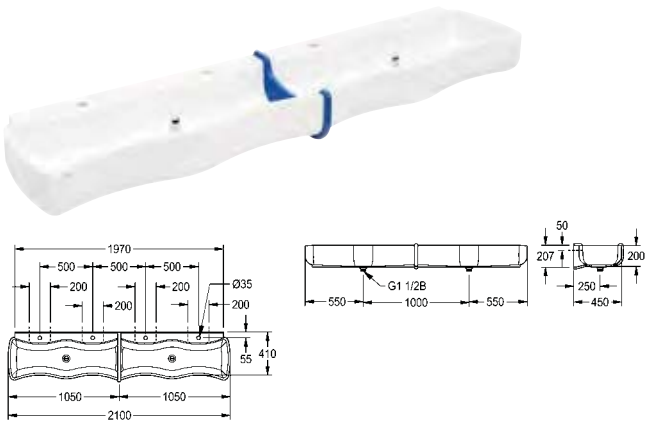
Washino 4 child split level play trough

(right hand lower)

### SANW212

Washino 4 child split level play trough

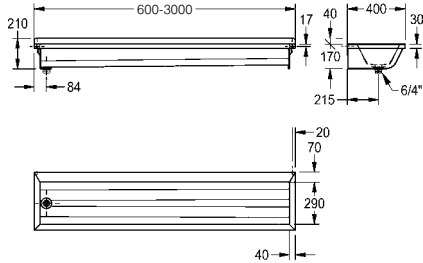
(left hand lower)



# WASHBASINS AND WASHTROUGHS

## WASHTROUGHS

IMAGE	ITEM NUMBER	TYPE/MODEL
-------	-------------	------------

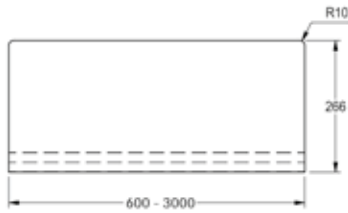


### ECN Washtrough

Left or right handed washtrough for wall mounting, stainless steel, surface satin finished, material thickness 0.8mm, 70mm tap landing and 40 mm rear upstand, 38mm perforated waste included, side panels with integrated brackets, including stainless steel screws and dowels. For lengths over 2400mm an additional bracket is required. Splashback panel must be ordered in addition to the washtrough. All washtroughs are delivered with no tapholes.

**L or R after the model number refers to the handing of the waste outlet when facing the unit.**

<b>ECN6L/R</b>	600mm washtrough with tap landing
<b>ECN12L/R</b>	1200mm washtrough with tap landing
<b>ECN15L/R</b>	1500mm washtrough with tap landing
<b>ECN18L/R</b>	1800mm washtrough with tap landing
<b>ECN21L/R</b>	2100mm washtrough with tap landing
<b>ECN24L/R</b>	2400mm washtrough with tap landing
<b>ECN30L/R</b>	3000mm washtrough with tap landing



Splashback panel manufactured from stainless steel, surface satin finished, material thickness 0.8 mm.

<b>ECNC6</b>	600mm splashback
<b>ECNC12</b>	1200mm splashback
<b>ECNC15</b>	1500mm splashback
<b>ECNC18</b>	1800mm splashback
<b>ECNC21</b>	2100mm splashback
<b>ECNC24</b>	2400mm splashback
<b>ECNC30</b>	3000mm splashback



**+ Required**

<b>SU40</b>	Additional support bracket required for ECN30L/R
-------------	--

# WASHBASINS AND WASHTROUGHS

## SATURN WASHTROUGHS

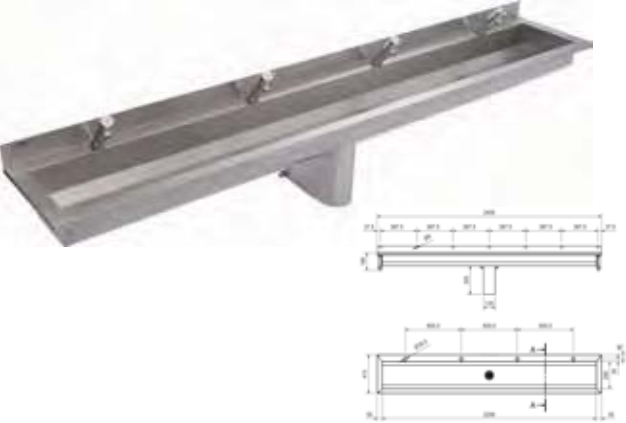
WASHBASINS AND WASHTROUGHS

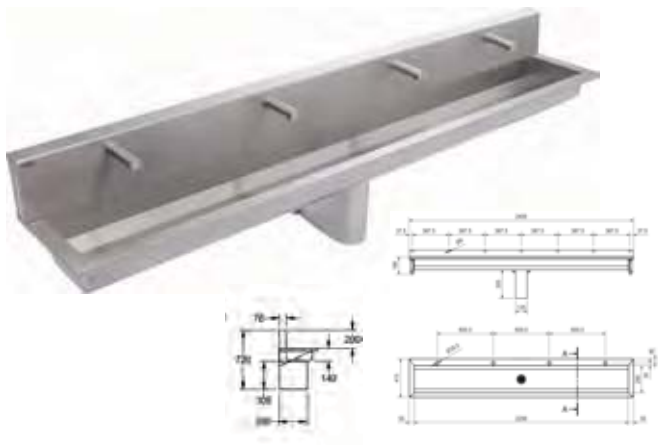
IMAGE	ITEM NUMBER	TYPE/MODEL
		<p><b>Saturn washtroughs with tap landing</b></p> <p>Manufactured from 1.2mm thick, grade 1.4301 (304) stainless steel.</p> <p>Available with 2 tapholes for 2 users (1200mm), 3 tapholes for 3 users (1800mm) and 4 tapholes for 4 users (2400mm), with or without splashback. There is also a choice of either self-closing or electronic, touch free taps with all models. All models come with shroud and 51mm domed brass waste outlet.</p>
		<p>2 users – 1200mm x 415mm</p> <p><b>SANX120</b> With tap landing and 2 tapholes at 35mm diameter</p> <p><b>SANX120M</b> With tap landing and manual self closing taps</p> <p><b>SANX120E</b> With tap landing and electronic touch free taps</p> <p><b>SANX120SB</b> With splashback and no tapholes</p> <p><b>SANX120SBM</b> With splashback and manual self closing taps</p> <p><b>SANX120SBE</b> With splashback and electronic touch free taps</p>
		<p>3 users – 1800mm x 415mm</p> <p><b>SANX180</b> With tap landing and 3 tapholes at 35mm diameter</p> <p><b>SANX180M</b> With tap landing and manual self closing mixer taps</p> <p><b>SANX180E</b> With tap landing and electronic touch free taps</p> <p><b>SANX180SB</b> With splashback and no tapholes</p> <p><b>SANX180SBM</b> With splashback and manual self closing taps</p> <p><b>SANX180SBE</b> With splashback and electronic touch free taps</p>



# WASHBASINS AND WASHTROUGHS

SATURN WASHTROUGHS AND WUDU

IMAGE	ITEM NUMBER	TYPE/MODEL
	4 users – 2400mm x 415mm	
	<b>SANX240</b>	With tap landing and 4 tapholes at 35mm diameter
	<b>SANX240M</b>	With tap landing and manual self closing taps
	<b>SANX240E</b>	With tap landing and electronic touch free taps
	<b>SANX240SB</b> <b>SANX240SBM</b>	With splashback and no tapholes
	<b>SANX240SBE</b>	With splashback and manual self closing taps
		With splashback and electronic touch free taps



## TAPS USED ON WASHTROUGHS

### Manual Taps

#### Deck Mounted



Franke Self Closing Pillar Tap for connecting to pre-mixed warm water **AQUA201W**  
See P114 for full technical details

#### Splashback Mounted



Franke Self Closing Bib Tap for connecting to pre-mixed warm water **AQUA205W**  
See P114 for full technical details

### Electronic Taps

#### Deck Mounted



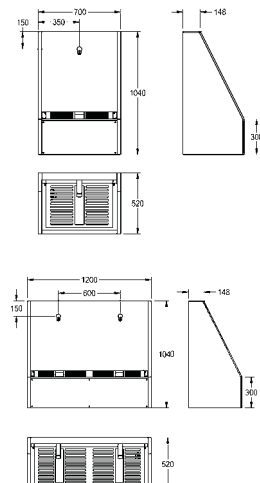
Dart Valley Systems Aquarius A45 Deck Mounted Electronic Tap **AT03-011**  
(re-order code **F3138**)

#### Splackback Mounted



Dart Valley Systems Aquarius Wall Mounted 150mm touch free spout **AT02-001**  
(re-order code **F3130**)

\*Taps are for mains operation, battery operated are available on request.



### Wudu washing station

1 or 2 person wudu/ablution washing station made from 1.5mm 304 stainless steel, with a satin polish finish. Fitted with self closing tap(s) and a 2inch domed waste. Incorporates a hinged grid to aid foot washing and easy cleaning. Access panel at the front to enable easy access to waste and plumbing.

**L or R after the code number refers to the handing of the waste outlet when facing the front of the wash station.**

**WUDU0700L/R** Wudu 700mm with 1 manual tap  
**WUDU1200L/R** Wudu 1200mm with 2 manual taps

Bespoke lengths are also available, along with electronic sensor controlled taps and soap dispensers. Please ask us for more details.

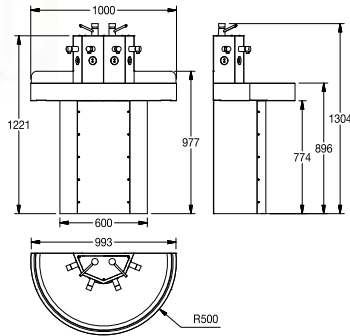


# WASHBASINS AND WASHTROUGHS

## SEMI CIRCULAR AND CIRCULAR WASHTROUGHS

WASHBASINS AND WASHTROUGHS

IMAGE	ITEM NUMBER	TYPE/MODEL
-------	-------------	------------



### Semi-circular and circular washtroughs

Designed to be highly durable and water efficient and to withstand intensive use in busy environments, the semi-circular and circular washtroughs are particular vandal resistant. Products are available for up to 8 users with a choice of touch free infra-red controls or manually operated self-closing taps, designed to save water and energy with adjustable flow time. Both tap options are available with soap dispensers. Semi-circular troughs are for mounting up to a wall and for duct mounted or floor supply services. The large floor mounted base for the circular troughs provides good stability. Services are fed from below and can be accessed through a side panel which is fitted with tamper proof security screws. The use of a single water supply and waste has a significant cost saving compared to conventional washbasins which need a water supply and waste for each basin. Delivered fully assembled. Junior height version also available.

#### 4 person semi-circular washtrough

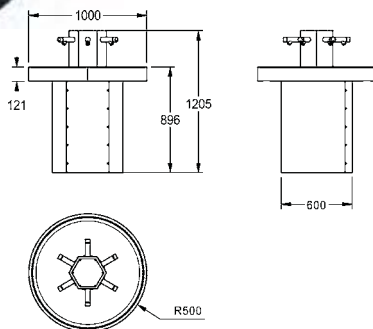
1000x561x1205mm

- SANX400** With manual self closing taps\*
- SANX405** With manual self closing taps and soap dispensers\*
- SANX410** With electronic touch free taps
- SANX415** With electronic touch free taps and soap dispensers


#### 6 person circular washtrough

1000x1000x1205mm

- SANX600** With manual self closing taps\*
- SANX605** With manual self closing taps and soap dispensers\*
- SANX610** With electronic touch free taps
- SANX615** With electronic touch free taps and soap dispensers



**bream** CE

Products marked with a \* contain  approved taps.

# WASHBASINS AND WASHTROUGHS

## CIRCULAR WASHTROUGHS

IMAGE	ITEM NUMBER	TYPE/MODEL
	<b>8 person circular washtrough</b>	
	1300x1300x1220mm	
	<b>SANX800</b>	With manual self closing taps*
	<b>SANX805</b>	With manual self closing taps and soap dispensers*
	<b>SANX810</b>	With electronic touch free taps
<b>SANX815</b>	With electronic touch free taps and soap dispensers	
<p><b>Junior height version also available. Please ask us for more details.</b></p>		

WASHBASINS AND WASHTROUGHS

### TAPS USED ON CIRCULAR WASHTROUGHS

#### Electronic Tap



78mm projection wall spout with extended threads **AQRM907**

#### Manual Tap



Self closing bib tap for connecting to pre-mixed warm water **AQUA205W**  
See P114 for full technical details

#### Soap Dispenser



High polished chromated brass soap dispenser suitable for liquid soaps and lotions with a 1 litre soap tank filled from above. **SD80**  
See P28 for full technical details



#### Colours available

- Yellow
- Blue
- Green
- Red

#### Washtrough with coloured base

Film wrapped base and access panel for decorative purposes. Choice of colours as shown.

**Please ask us for more details.**