





## GENERAL PURPOSE, BUCKET AND UTILITY SINKS

Buildings such as supermarkets, laboratories, nursing homes, sheltered housing and offices all require durable sinks that maintain the high standards of hygiene and cleanliness required. This range of non-residential sinks and bowls offer a wide choice of modern and traditional styles of product for a wide variety of installation requirements.

### PRODUCT FEATURES

- 0.9mm thick austenitic grade 304 stainless steel used for the majority of products
- Traditional 2 tap holes sinks available from stock
- Some sinks are available in acid resistant 316 material for hospital and laboratory use (see Medical and Laboratory section)
- Wide variety of bowl and drainer combinations
- Inset bowls suitable for handwashing, plate washing or laundry use
- Wastes and fixing kits available

# GENERAL PURPOSE, BUCKET AND UTILITY SINKS

## INSET SINKS

GENERAL PURPOSE, BUCKET AND UTILITY SINKS

IMAGE	ITEM NUMBER	TYPE/MODEL
-------	-------------	------------



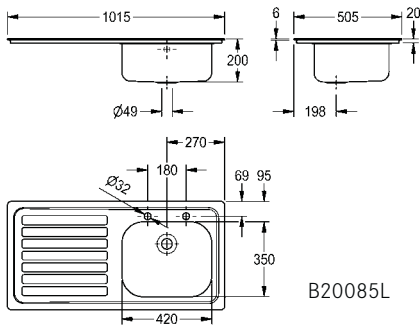
### Single bowl/single drainer inset sink

A single bowl/single drainer sink manufactured from 0.9mm thick, grade 1.4301 (304) stainless steel, satin polish finish. The sink top is turned down on all edges and incorporates a rimmed edge and fixing rails. Fixing clips are provided for inseting the sink into a worktop. The bowl is prepared for a 38mm waste. NOTE: It may be necessary to notch the worktop when an overflow is fitted.

**L or R refers to the handing of the drainer ie. left or right when facing front of unit.**

External: 1015x505x200mm bowl: 420x350x180mm

**B20085L/R\*** cut out size: 1000x490mm  
2 tapholes at 180mm centres, with overflow



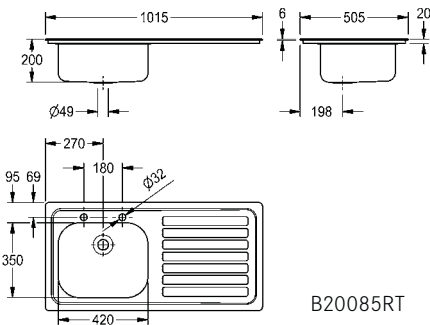
B20085L

**+ Required**

**F2119** 38mm waste, plug, chain and overflow

**+ Recommended**

**F1026** 13mm deck pattern mixer  
**F1081** 13mm crosshead high neck pillar taps  
**F1083** 13mm fluted handle high neck pillar taps



B20085RT

**B20085LT/RT\***

2 tapholes at 180mm centres, no overflow

**+ Required**

**F2068** 38mm CP brass flush grated waste outlet

**+ Recommended**

**F1026** 13mm deck pattern mixer  
**F1081** 13mm crosshead high neck pillar taps  
**F1083** 13mm fluted handle high neck pillar taps

\*Models also available in grade 316 stainless steel. Please see Medical and Laboratory section.

# GENERAL PURPOSE, BUCKET AND UTILITY SINKS

## INSET SINKS


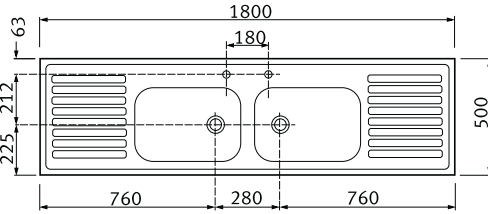
IMAGE	ITEM NUMBER	TYPE/MODEL
<p>B20085LN</p>	<p><b>B20085LN/RN</b></p> <p>No tapholes, no overflow</p> <p><b>+ Required</b></p> <p><b>F2068</b> 38mm CP brass flush grated waste outlet</p> <p><b>+ Recommended</b></p> <p><b>F1075</b> 13mm mixer lever taps (each)</p>	
<p>B20085RCO</p>	<p><b>B20085LCO/RCO</b></p> <p>Centre taphole with overflow, LH/RH drainer</p> <p><b>+ Required</b></p> <p><b>F2119</b> 38mm waste, plug, chain and overflow</p> <p><b>+ Recommended</b></p> <p><b>F1059</b> 13mm monobloc mixer tap <b>F1087</b> 13mm monobloc mixer tap with fluted handles</p>	
<p>B20085LT2</p>	<p><b>B20085LT2/RT2</b></p> <p>Tapholes at 200mm centres, no overflow, LH/RH drainer</p> <p><b>+ Required</b></p> <p><b>F2068</b> 38mm CP brass flush grated waste outlet</p> <p><b>+ Recommended</b></p> <p><b>F1074</b> 13mm high necked lever operated taps (per pair) <b>F1075</b> 13mm mixer lever taps (each)</p>	
<p>B20085RT20</p>	<p><b>B20085LT20/RT20</b></p> <p>Tapholes at 200mm centres, with overflow, LH/RH drainer</p> <p><b>+ Required</b></p> <p><b>F2119</b> 38mm waste, plug, chain and overflow</p> <p><b>+ Recommended</b></p> <p><b>F1074</b> 13mm high necked lever operated taps (per pair) <b>F1075</b> 13mm mixer lever taps (each)</p>	


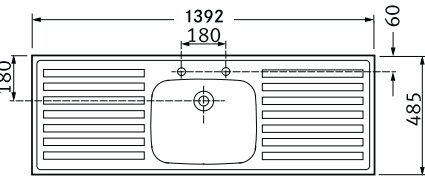


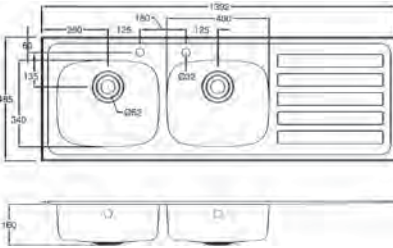


# GENERAL PURPOSE, BUCKET AND UTILITY SINKS

## INSET SINKS


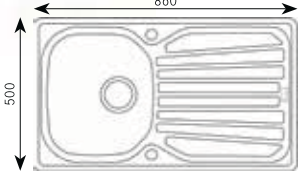
IMAGE	ITEM NUMBER	TYPE/MODEL
 	<p><b>Double bowl/double drainer inset sink</b></p> <p>A double bowl/double drainer inset sink manufactured from 0.9mm thick, austenitic stainless steel, satin polish finish. This sink has all four sides incorporating a rimmed edge profile, particularly suitable for inseting into a standard sized worktop. The bowls are prepared for a 38mm waste and overflow and can be supplied with waste, plug, chain and overflow as an extra. Two tapholes are provided, positioned centrally between the bowls, suitable for mixer taps only. Supplied complete with fixing clips.</p> <p>cut out size: 1790x490mm</p> <p><b>B20086D</b> 1800x500x250mm (bowl depth)  <b>B20087D</b> 1800x500x180mm (bowl depth)</p> <p><b>+ Required</b></p> <p><b>F2119</b> 38mm waste, plug, chain and overflow</p> <p><b>+ Recommended</b></p> <p><b>F1026</b> 13mm deck pattern mixer tap</p>	


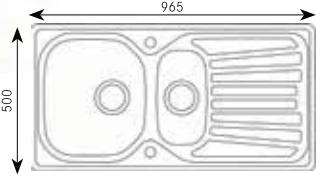
 	<p><b>Single bowl/double drainer inset sink</b></p> <p>Manufactured from 0.7mm thick, grade 1.4301 (304) stainless steel, polished drainer with satin bowl. This sink has all four sides incorporating a rimmed edge profile, suitable for inseting into a standard sized worktop. The bowl is supplied complete with 38mm waste, plug, chain and overflow. Two tap holes are provided directly behind the sink bowl, positioned centrally, suitable for either individual pillar taps or deck pattern mixer tap. Supplied complete with fixing clips.</p> <p>cut out size 1372x465mm</p> <p><b>F0311</b> 1392x485x160mm with waste, plug, chain and overflow</p> <p><b>+ Recommended</b></p> <p><b>F1026</b> 13mm deck pattern mixer tap  <b>F1081</b> 13mm crosshead high neck pillar taps  <b>F1083</b> 13mm fluted handle high neck pillar taps</p>
---	---


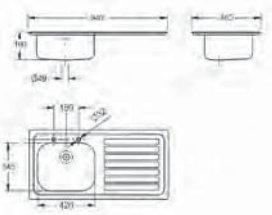

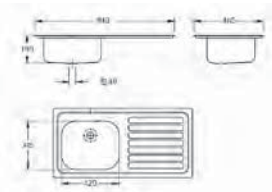

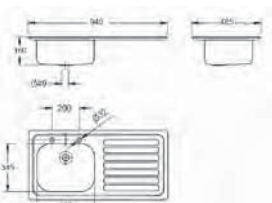
 	<p><b>Double bowl/single drainer inset sink</b></p> <p>Manufactured from 0.7mm thick, grade 1.4301 (304) stainless steel, polished drainer with satin bowl. This sink has all four sides incorporating a rimmed edge profile, suitable for inseting into a standard sized worktop. The bowls are supplied complete with 38mm waste and overflow. Two tap holes are provided, positioned centrally between the bowls, suitable for mixer taps only. Supplied complete with fixing clips.</p> <p>Cut out size 1372x465mm</p> <p><b>F0312</b> 1392x485x160mm left drainer with waste, plug, chain and overflow  <b>F0313</b> 1392x485x160mm right drainer with waste, plug, chain and overflow</p> <p><b>+ Recommended</b></p> <p><b>F1026</b> 13mm deck pattern mixer tap</p>
--	---

# GENERAL PURPOSE, BUCKET AND UTILITY SINKS

## INSET SINKS

IMAGE	ITEM NUMBER	TYPE/MODEL
 	<p><b>Reversible single bowl, single drainer, inset sink</b></p> <p>Reversible compact single bowl with single drainer, bright drainer/matt bowl complete with 1 tap hole. Made from 0.6mm stainless steel.</p> <p>Bowl Size - 345x395x160mm            Cut Out Size - 844x484mm            Waste Size - 38mm</p> <p><b>F0309</b></p>	<p>860x500mm with waste and overflow</p>
<p><b>+ Recommended</b></p> <p><b>F1059</b> 13mm monobloc mixer tap  <b>F1087</b> 13mm monobloc mixer tap with fluted handles</p>		

 	<p><b>Reversible 1.5 bowl single drainer, inset sink</b></p> <p>Reversible 1.5 bowl, single drainer complete with 1 tap hole. Bright drainer/matt bowl. Made from 0.7mm stainless steel.</p> <p>Bowl Size - 345x395x160mm            Second Bowl Size -170x320x80mm            Cut Out Size - 949x484mm            Waste Size - 38mm</p> <p><b>F0306</b></p>	<p>965x500mm with waste and overflow</p>
<p><b>+ Recommended</b></p> <p><b>F1059</b> 13mm monobloc mixer tap  <b>F1087</b> 13mm monobloc mixer tap with fluted handles</p>		

 	<p><b>Rodan inset sink</b></p> <p>Manufactured from grade 304, 0.9mm thick stainless steel and available in a number of options.</p> <p>All with a 180mm deep bowl and measuring 940mm x 485mm complete with a 38mm flush grated waste or a plug, chain, waste and overflow.</p>	<p><b>F0356P</b> 2 tapholes @ 180mm centres, with overflow - Right hand drainer</p> <p><b>F0357P</b> 2 tapholes @ 180mm centres, with overflow - Left hand drainer</p> <p><b>F0353P</b> No tapholes, no overflow - Right hand drainer</p> <p><b>F0354P</b> No tapholes, no overflow - Left hand drainer</p> <p><b>F0359P</b> 2 tapholes @ 200mm centres, no overflow - Right hand drainer</p> <p><b>F0360P</b> 2 tapholes @ 200mm centres, no overflow - Left hand drainer</p>
 		
 		



# GENERAL PURPOSE, BUCKET AND UTILITY SINKS

## UTILITY SINKS


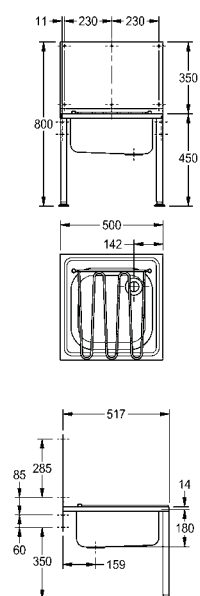
IMAGE	ITEM NUMBER	TYPE/MODEL
	<p><b>Utility sink - wall mounted</b></p> <p>Wall mounted general purpose sink manufactured from 1mm thick grade 1.4301 (304) stainless steel – satin polish finish. The sink has an angled front rubbing board and central 38mm BSP waste fitting. Side brackets and fixing screws supplied.</p> <p><b>SIRX340</b></p>	<p>500x450mm – wall hung, complete with waste</p>
	<p><b>Utility sink - inset</b></p> <p>Inset general purpose sink manufactured from 1mm thick grade 1.4301 (304) stainless steel – satin polish finish. The sink has an angled front rubbing board and central 38mm BSP waste fitting. Fixing brackets supplied.</p> <p><b>SIRX342</b></p>	<p>500x450mm – inset model, complete with waste</p>
	<p><b>Utility sink</b></p> <p>Wall mounted utility sink manufactured from 1mm stainless steel, surface satin finished, seamless welded bowl with dimensions 420x320x170mm, rounded edges, 38mm plug waste with plastic overflow pipe, and right drainage, 40mm rear upstand, includes stainless steel folding grid with rubber bumps and mounting set.</p> <p><b>BS302</b></p>	<p>500x400x180mm wall hung utility sink with grid</p>
	<p><b>Cleaner's sink with grid</b></p> <p>Wall mounted cleaners sink manufactured from 0.9mm thick grade 1.4301 (304) stainless steel – satin polish finish, with anti drip edge, hinged grating, 38mm BSP waste fitting and complete with integral wall brackets.</p> <p><b>WB500GV</b></p>	<p>500x500x160mm wall hung cleaner's sink with grid</p>

# GENERAL PURPOSE, BUCKET AND UTILITY SINKS

CLEANING AND JANITORIAL

IMAGE	ITEM NUMBER	TYPE/MODEL
 <p><b>F1000</b></p> 	<p><b>G20050N</b></p> <p><b>F7927</b> <b>G20051N</b></p> <p><b>F1000</b></p>	<p><b>Centinel janitorial unit with WRAS approved tap and PEX hoses</b></p> <p>Floor standing janitorial unit manufactured from grade 1.4301 (304) stainless steel, 1.2mm material thickness throughout except for lower bowl which is 0.9mm. Supplied complete with monobloc mixer, 32mm flush grated waste (for top wash bowl) and 38mm domed waste outlet (for lower bowl). The janitorial unit can be fixed with 4 legs for floor standing or part wall hung/floor standing by using only two of the front legs or alternatively can be fitted as a wall hung unit by using the joggle strip provided.</p> <p><b>A HTM standard version is also available. Please see Medical section.</b></p> <p>500x570x880mm</p> <p><b>+ Recommended</b></p> <p>Stainless steel bucket (11.5 litres) Waste plumbing kit for Centinel janitorial unit</p> <p><b>+ Spares</b></p> <p>Tap with limited swivel spout</p>

		<p><b>Cleaner's sink with grid and splashback</b></p> <p>Wall mounted cleaners sink manufactured from grade 1.4301 (304) stainless steel, material thickness 0.9mm, with splash back, hinged grating, 38mm BSP waste fitting and complete with integral wall bracket.</p> <p><b>WB440C-UK</b>                      436x319x490mm</p>
--	--	--

		<p><b>Floor standing bucket sink with splashback</b></p> <p>Floor standing bucket sink manufactured from grade 1.4301 (304) stainless steel, material thickness 1.2mm, with splash back, hinged grating, 38mm BSP waste fitting and complete with integral wall brackets. The bucket sink is supported on two front legs and is held in position by screwing the two integral wall brackets directly to the wall. Screws and wall plugs are not supplied.</p> <p><b>G21663N</b>                      500x517x800mm</p> <p><b>+ Recommended</b></p> <p><b>F7927</b>                      Stainless steel bucket (11.5 litres )  <b>F1071</b>                      Cold bib tap for bucket sinks  <b>F1073</b>                      Hot bib tap for bucket sinks  <b>F1072</b>                      2 x extension pieces</p>
---	---	--