

# WHICH WASHBASIN WILL YOU CHOOSE?

We are spending more and more time in our bathrooms, and the washbasin is perhaps the bathroom element we visit most times each day. It is here that we brush our teeth, wash our hands, rinse our mouths and so on. That is why it is important to choose a washbasin whose design makes the best possible use of the (often limited) space in the bathroom, and which can provide practical

flat surfaces. In addition, it should be easy to look after and aesthetically attractive. Gustavsberg supplies a wide range of washbasins to cover every need and taste imaginable. Here you can see examples from three of our ranges, which comprise a variety of different models and designs.



## HIGH QUALITY AND A BROAD RANGE

A trait shared by all Gustavsberg washbasin models is the consistently high quality of the porcelain. A good washbasin should be simple to keep clean, stay looking fresh and last for years and years. The design is also important, of course. We supply a wide range of models in various sizes, so you are sure to find something to match your aesthetic preferences and the physical appearance of your bathroom. No matter whether you are looking for a small, large, luxurious or functional bathroom, Gustavsberg has a comprehensive selection of washbasins for you to choose from.



As the name suggests, a "sub-mounted" washbasin is fitted below the worktop, in which holes are cut for the basin and the associated mixer. Naturally, it is important to select a worktop that can withstand the effects of water.



## SUITS ALL BATHROOMS

Many Gustavsberg washbasins are designed for recessing into associated furniture units – known as washbasin cabinets. The contrast with the furniture unit highlights the beauty of the porcelain. The Logic range has been produced especially for small bathrooms, with some washbasins designed specifically for corner installation. Our Nautic range has been designed to be extra-functional. The clean, neat lines and rounded edges of the porcelain units save space and facilitate cleaning. The angular shapes of the Artic range constitute washbasin art of the highest calibre.



## LOGIC WASHBASIN

The Logic range features smart models for small bathrooms.



#### NAUTIC COVER

The stylish Nautic cover in porcelain neatly conceals the wall-connected drain and water trap. If you have a floor-connected drain, simply choose a porcelain pedestal instead.

## STYLISH DETAILS

Stylish water traps, washbasin pedestals and covers beautify even the most obscure places in the bathroom.



#### WASHBASIN WITH WATER TRAP

Really small washbasins do not have room for a pedestal or bottom cabinet. For these, a neat water trap can be the perfect solution. Of course, a neat water trap will suit our larger washbasins, too. Models are available for both wall and floor connection.



#### INDEPENDENT CERTIFICATION

The Nordic Quality symbol is allocated to certified sanitation products in line with established requirements controlled by INSTA-CERT. These products meet set criteria for production, guarantee period, spare parts, documentation and technical suitability for installation in the Nordic region.



MANY OF OUR PRODUCTS ARE AVAILABLE WITH C+ SURFACE TREATMENT. THIS PROVIDES THE PORCELAIN WITH A DIRT-REPELLENT SURFACE THAT PREVENTS THE ACCUMULATION OF LIMESCALE AND DIRT. C+ IS ALSO GOOD FOR THE ENVIRONMENT. AS IT MEANS THAT YOU CAN USE A Milder DETERGENT – AND LESS OF IT! – WHEN CLEANING.



YOU CAN INSTALL MOST OF THE PRODUCTS YOURSELF. HOWEVER, THIS SYMBOL MEANS THAT WE RECOMMEND THAT YOU CONSULT A SKILLED PROFESSIONAL, SUCH AS A PLUMBER, A TILER OR AN ELECTRICIAN.

## GOOD TO KNOW

- All our washbasins are made of closely vitrified sanitary porcelain – the most hygienic and durable material for bathroom fittings. This ensures a strong, durable surface. Year after year.
- We manufacture our washbasins in line with stringent environmental requirements that cover the development of material and function, production, transport and delivery, for example.
- Our manufacturing process has been certified in accordance with the ISO 9000 standard.
- Covers or pedestals to hide pipes and water traps are available as accessories for several ranges. You must always fit pedestals at the same time as the washbasin to ensure the neatest installation.
- Cabinets for fitting below washbasins provide valuable storage space in the bathroom without diminishing the floor space.

## IMPORTANT CONCEPTS

The following pages present a variety of fitting options which may need a little more explanation:

To fit a washbasin on brackets, start by mounting the brackets on the wall and then hang the washbasin on them. With this solution, you can choose to leave space between the washbasin and the wall. To fit a washbasin with bolts, simply bolt the washbasin directly onto the wall. This method leaves no gap between the washbasin and the wall. Make sure that the wall has been sufficiently reinforced to accommodate the type of installation you choose.

Two installation options are available for washbasins for fitting in **bench tops**. “**Built-in**” basins are fitted from above in a bench top with an appropriate cut-out. “**For sub-mounting**” models are fitted below bench tops that have holes milled for the basin and mixer, (in cases when the washbasins comes without mixerhole)

# NAUTIC WASHBASINS

- Easy-to-clean, minimalistic design in a range of sizes, 40–70 cm
- Elliptical basin with generous flat surfaces
- For bolt or bracket installation
- C+ as an option for simple and eco-friendly cleaning
- Mixer and bottom valve are not included, must be ordered separately. See mixer section.

			ART no	With C+ ART no		
		<p><b>5540 Nautic for bolt mounting. 400 x 275 mm.</b></p> <p>Without mixer, with mixer hole to the right Without mixer, with mixer hole to the left Without mixer hole.</p>	<p>55409R01 55409L01 55409701</p>	<p>55409RR1 55409L01 55409701</p>		
		<p><b>5550 Nautic for bolt and bracket mounting*. 500 x 380 mm</b></p> <p>Without mixer Without mixer hole.</p> <p>* Recommended bracket length: 195 or 260 mm</p>	<p>55509901 55509701</p>	<p>555099R1 555097R1</p>		
		<p><b>5556 Nautic for bolt and bracket mounting*. 560 x 430 mm</b></p> <p>Without mixer Without mixer hole.</p> <p>* Recommended bracket length 260 mm</p>	<p>55569901 55569701</p>	<p>555699R1 555697R1</p>		
		<p><b>5560 Nautic for bolt and bracket mounting*. 600 x 460 mm</b></p> <p>Without mixer Without mixer hole.</p> <p>* Recommended bracket length 260 mm</p>	<p>55609901 5560970</p>	<p>556099R1 556097R1</p>		
		<p><b>5565 Nautic for bolt and bracket mounting*. 650 x 500 mm</b></p> <p>Without mixer Without mixer hole.</p> <p>* Recommended bracket length 260 mm</p>	<p>55659901 55659701</p>	<p>556599R1 556597R1</p>		
		<p><b>5570 Nautic for bolt and bracket mounting*. 700 x 500 mm</b></p> <p>Without mixer</p> <p>* Recommended bracket length 260 mm</p>	<p>55709901</p>	<p>557099R1</p>		

		<p><b>2920 Pedestal</b> The washbasin must be fitted to match the pedestal height exactly.</p> <p>For washbasins 5550, 5556, 5560, 5565 and 5570</p>	GB1129200100		
		<p><b>2930 Cover</b></p> <p>For washbasins 5556, 5560, 5565 and 5570</p> <p>NB! Cannot be combined with washbasin mixers with hand shower.</p>	GB1129300100		
		<p><b>5295 Cover</b></p> <p>For washbasin 5550</p> <p>NB! Cannot be combined with washbasin mixers with hand shower.</p>	52959901		

OUR RANGE OF WASHBASINS DESIGNED FOR BATHROOM FURNITURE ARE TO BE FOUND ON PAGE 98.

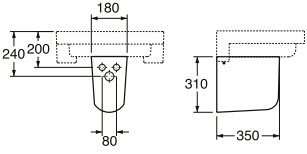

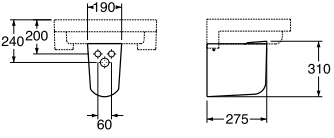

# ARTIC WASHBASINS

- Design distinguished by straight lines and right angles
- For bolt or bracket installation
- Completely concealed brackets for neat installation
- C+ as an option for simple and eco-friendly cleaning
- Mixer and bottom valve are not included, must be ordered separately. See mixer section.

WASHBASINS

		ART no	With C+ ART no		
		<b>4450 Artic for bolt and bracket fitting. 450 x 370 mm</b> Without mixer	GB1144500101	GB114450R101	
		<b>4550 Artic for bolt and bracket fitting. 550 x 440 mm</b> Without mixer	GB1145500101	GB114550R101	
		<b>4600 Artic for bolt and bracket fitting. 600 x 465 mm</b> Without mixer	GB1146000101	GB114600R101	
		<b>4650 Artic for bolt and bracket fitting. 655 x 490 mm</b> Without mixer	GB1146500101	GB114650R101	
		<b>4920 Artic pedestal</b> The washbasin must be mounted exactly to match the pedestal. For washbasins 4550, 4600 and 4650	GB1149200100		



		<p><b>4930 Artico cover</b></p> <p>For washbasins 4550, 4600 and 4650</p> <p>NB! Cannot be combined with washbasin mixers with hand shower.</p>	GB1149300100			
		<p><b>4931 Artico cover</b></p> <p>For washbasin 4450</p> <p>NB! Cannot be combined with washbasin mixers with hand shower.</p>	GB1149310100			

OUR RANGE OF WASHBASINS DESIGNED FOR BATHROOM FURNITURE ARE TO BE FOUND ON PAGE 98.

# LOGIC WASHBASINS

- Several models, specially designed for small spaces
- For bolt or bracket installation
- C+ as an option for simple and eco-friendly cleaning
- Mixer and bottom valve are not included, must be ordered separately. See mixer section.

		ART no	With C+ ART no		
		<p><b>5393 Logic hand washbasin for bolt fitting. 360 x 290 mm</b></p> <p>Without mixer, with mixer hole on the right Without mixer, with mixer hole on the left</p>	<p>53939R01 53939L01</p> <p>53939RR1 53939LR1</p>		
		<p><b>5197 Logic washbasin for bolt or bracket fitting*. 500 x 265 mm</b></p> <p>Without mixer, with mixer hole on the right Without mixer, with mixer hole on the left</p> <p>* Recommended bracket length: 195 mm</p>	<p>51979R01 51979L01</p> <p>51979RR1 51979LR1</p>		
		<p><b>5198 Logic washbasin for bolt fitting. 570 x 370 mm</b></p> <p>Primarily intended for fitting in corners, but also excellent for free fitting on walls. Only available with the basin to the right.</p> <p>Without mixer</p>	<p>51989901</p> <p>519899R1</p>		
		<p><b>5193 Logic washbasin for bolt or bracket fitting*. 560 x 440 mm</b></p> <p>Without mixer</p> <p>* Recommended bracket length: 260 mm</p>	<p>51939901</p> <p>519399R1</p>		
		<p><b>5194 Logic washbasin for bolt or bracket fitting*. 610 x 470 mm</b></p> <p>Without mixer</p> <p>* Recommended bracket length: 260 mm</p>	<p>51949901</p> <p>519499R1</p>		



		<p><b>2920 Pedestal</b> The washbasin must be fitted to match the pedestal height exactly.</p> <p>For washbasins 5550, 5556, 5560, 5565 and 5570</p>	GB1129200100		
		<p><b>2930 Cover</b></p> <p>For washbasins 5556, 5560, 5565 and 5570</p> <p>NB! Cannot be combined with washbasin mixers with hand shower.</p>	GB1129300100		
		<p><b>5295 Cover</b></p> <p>For washbasin 5550</p> <p>NB! Cannot be combined with washbasin mixers with hand shower.</p>	52959901		

OUR RANGE OF WASHBASINS DESIGNED FOR BATHROOM FURNITURE ARE TO BE FOUND ON PAGE 98.



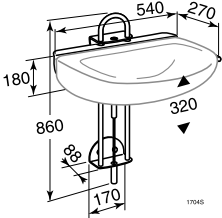

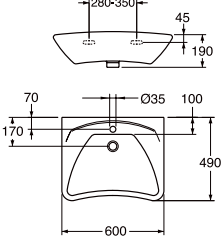

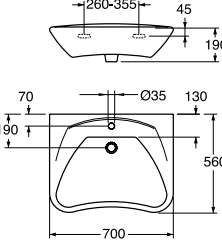

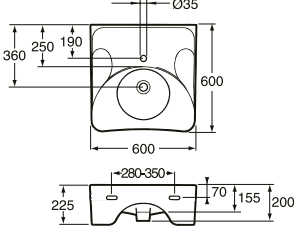

## WASHBASINS COMPLEMENTARY MODELS

Models that do not belong to any of our product collections, but match all ranges. Mixer and bottom valve are not included, must be ordered separately. See mixer section.

		ART no			
		<p><b>860-2 for bolt and bracket fitting. 600 x 455 mm</b></p> <p>Without mixer, with tubular brackets*, 280 mm</p> <p>* When mounted on brackets our tubular brackets should be used. Nor suitable for mounting oh standard-brackets.</p> 	<p>GB1086020161</p>		
		<p><b>860-3 for bolt and bracket fitting. 500 x 350 mm</b></p> <p>Without mixer, without rim drain*, with tubular brackets**, 240 mm</p> <p>* Mounting with strain bottom valve is recommended.</p> <p>** When mounted on brackets our tubular brackets should be used. Nor suitable for mounting oh standard-brackets.</p> 	<p>GB1086030161</p>		
		<p><b>940 Pedestal</b></p> <p>The washbasin must be fitted exactly to match the pedestal.</p> <p>For washbasin 860-2</p>	<p>GB1019400100</p>		
		<p><b>7327 98 Corner washbasin for bolt fitting</b></p> <p>Without mixer</p>	<p>GB1573279801</p>		

# WASHBASINS. CARE

To view other products for people with special needs, visit [www.gustavsberg.com](http://www.gustavsberg.com)

		ART no			
		<p><b>1704 Washbasin raising device with gas suspension*</b>  <b>1708 Flexible hose set</b></p> <p>* Washbasins, mixers and hoses are not included</p> 	<p>GB88170401            GB88170801</p>		
		<p><b>7119 Washbasin</b>            Compatible with our washbasin raising device 1704.            Can also be mounted on bolts directly onto the existing wall.            Extra shallow basin to accommodate wheelchair users.</p> <p>Without mixer, with overflow</p>	<p>GB157119630110</p>		
		<p><b>7119 99 Washbasin for bolt fitting</b>            Compatible with our washbasin raising device 1704.            Can also be mounted on bolts directly onto the existing wall.            Extra shallow basin to accommodate wheelchair users.</p> <p>Without mixer, without overflow, with bottomvalve            Without mixer, with overflow, with bottomvalve</p>	<p>GB157119990105            GB157119990110</p>		
		<p><b>740 Washbasin for bolt fitting</b>            Extra shallow basin to accommodate wheelchair users.</p> <p>Without mixer, without overflow            Without mixer, with overflow</p>	<p>GB1074010102            GB1074010101</p>		

## WATER TRAPS

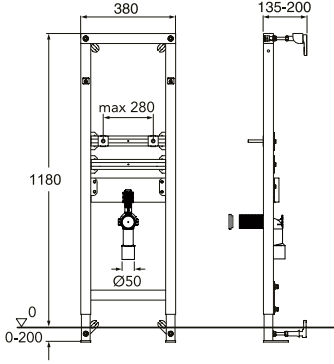

- Adjustable height and depth
- All parts are in chromed metal
- Suit all the washbasins in our range

ART no

		<p><b>3880 Water trap for wall connection</b> The unit consists of a water trap along with pipes and a cap for wall connection.</p> <p>Water trap for wall connection</p>	<p>GB4110388000W</p>		
		<p><b>3880 Water trap for floor connection with L-pipe</b> The unit consists of a water trap along with an L-pipe and a cap for floor connection. This water trap is particularly suitable for installations where the drain opening is positioned close to the wall.</p> <p>Water trap for floor connection</p>	<p>GB4110388000L</p>		

## TRIOMONT INSTALLATION SYSTEM, WASHBASIN FIXTURE

- Neat installation with a minimum of visible pipes
- Suits all washbasins with a bolt-to-bolt distance of up to 280 mm
- Steel frame load tested to 175 kg

		ART no	
		<p>Triomont XS washbasin fixture. High model for fitting against a straight wall or in a corner.</p> <p>Weight: 11 kg including packaging</p> <p>Triomont XS washbasin fixture</p>	GB1921102100
		<p>Accessories:</p> <p>Corner fitting for corner installation</p> <p>Extra wall fitting (when the lower fitting supplied cannot be used).</p>	<p>GB1921102029</p> <p>GB1921102027</p>

### Triomont washbasin fixture deliveries include:

- Fixture.
- M12 threaded bars for fitting the washbasin.
- Four wall fittings.
- Screws and plugs for fixing.
- Angled drain connection with dia. 32 mm rubber nipple.
- Installation instructions.

### Always finish off with:

- Washbasin.
- Washbasin mixer.
- Wall-fitted water trap.