

**Ultra-Protect**  
Anti-limescale treatment included

**UNE**  
Norma Unificada Española  
EN-14428 standard



DON'T USE ABRASIVE  
PRODUCT

# KEMI



KEMI

Meeting the needs of our customers. We launch a series with a multitude of sizes and configurations, 2 profile finishes, 3 types of glass and 4 digital serigraph designs to be the ideal solution in every shower space



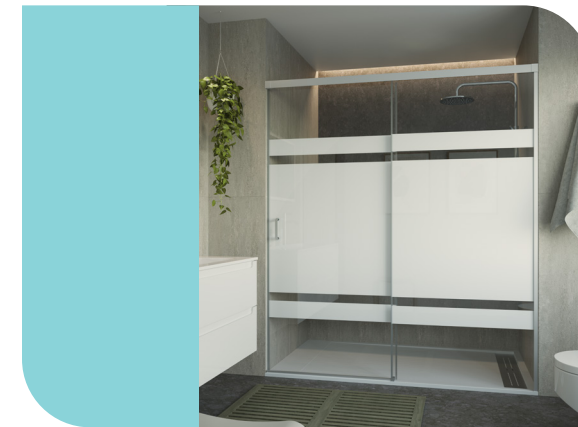
YOU CHOOSE IF YOU WANT CHROME OR BLACK PROFILE, IF YOU WANT STANDARD HEIGHT (1985MM) OR YOUR OWN SPECIAL HEIGHT

A NEW SERIES IN WHICH WE TAKE CARE OF EVERY DETAIL



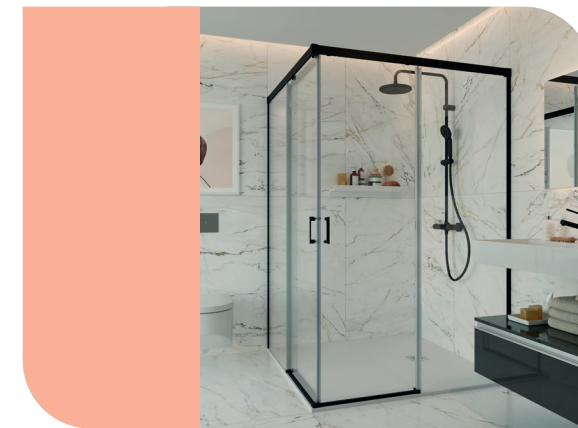
CHROME PROFILE

- FRONT
- FIXED SIDE
- CORNER



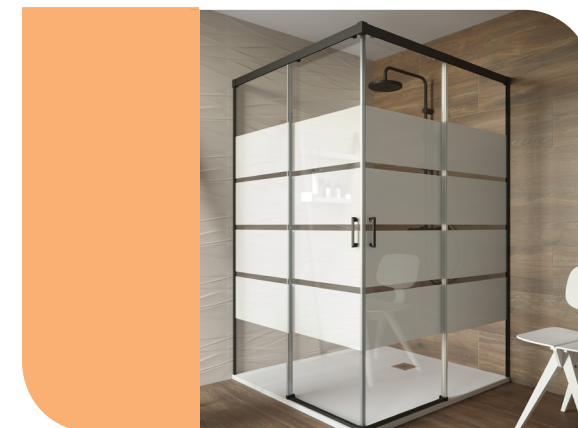
CHROME PROFILE(SPECIAL HEIGHT)

- FRONT
- FIXED SIDE
- CORNER



BLACK PROFILE

- FRONT
- FIXED SIDE
- CORNER



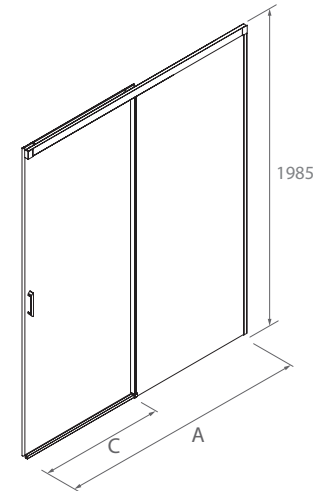
BLACK PROFILE (SPECIAL HEIGHT)

- FRONT
- FIXED SIDE
- CORNER

# KEMI Chrome profile

SHOWER SCREEN FRONT 1 DOOR AND 1 FIXED

- Transparent tempered glass EN-12150 6 mm on the door and fixed
- Expansion 10 mm
- Without interior profiles
- Height 1985 mm
- Double tandem bearings
- Possibility of 4 digital serigraphs
- Easy release of the sliding leaf. Metal clamp.



Measure		Chrome profile							
		Transp	€	Fume	€	Translu	€	Digital	€
960	1000	88215	537	88278	734	88291	734	88302	537
1001	1100	88247	550	88279	768	88292	768	88303	550
1101	1200	88270	557	88280	826	88293	826	88304	557
1201	1300	88271	571	88281	839	88294	839	88305	571
1301	1400	88272	578	88282	865	88295	865	88306	578
1401	1500	88273	597	88283	899	88296	899	88307	597
1501	1600	88274	612	88284	917	88297	917	88308	612
1601	1700	88275	665	88285	938	88298	938	88309	665
1701	1800	88276	676	88286	957	88299	970	88310	676
1801	1900	88269	689	88287	1022	88300	1022	88311	689
1901	2000	88277	707	88288	1049	88301	1049	88312	707

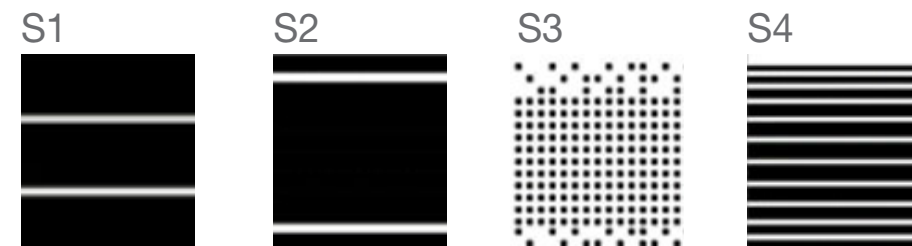


IMMEDIATE SERVICE FOR REFERENCES IN STOCK  
\* codes in blue



\* DELIVERY IN 21 DAYS FOR CODES IN ORANGE

## DIGITAL SERIGRAPHS



### ⚠ What variables of my screen should I indicate?

- Screen width
- Fixed glass position (Left / Right)
- Digital serigraphs (S1, S2, S3, S4)

### OPTIONAL MAGNETIC PROFILES

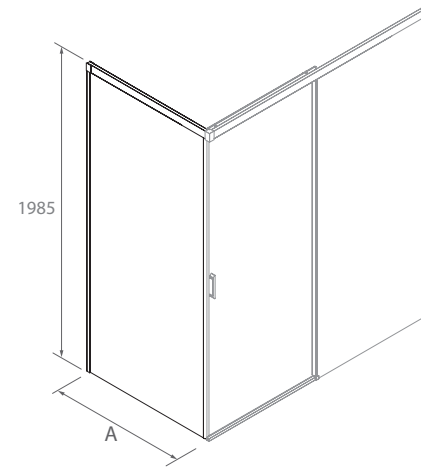
		€
CHROME	90167	42
BLACK	90168	42



# KEMI Chrome profile

FIXED SIDE

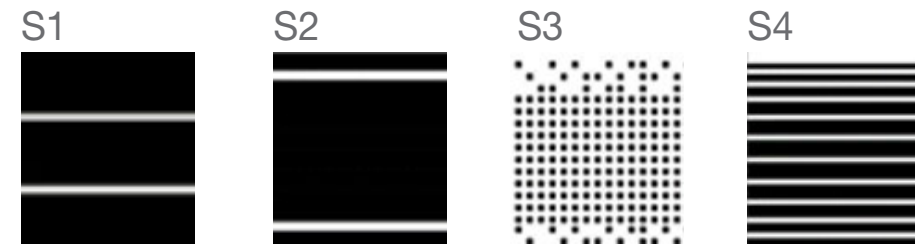
- Transparent tempered glass EN-12150 6 mm
- Expansion 10 mm
- Without interior profiles
- Height 1985 mm
- Possibility of 4 digital serigraphs
- Anti-lime treatment included



Measure		Chrome profile							
		Transp	€	Fume	€	Translu	€	Digital	€
120	300	88326	287	88333	335	88340	335	88347	387
301	600	88327	301	88334	353	88341	353	88348	392
601	700	88328	314	88335	366	88342	366	88349	406
701	800	88329	327	88336	427	88343	427	88350	419
801	900	88330	340	88337	492	88344	492	88351	436
901	1000	88331	353	88338	558	88345	558	88352	449
1001	1100	88332	379	88339	597	88346	597	88353	492



## DIGITAL SERIGRAPHS



### ⚠ What variables of my screen should I indicate?

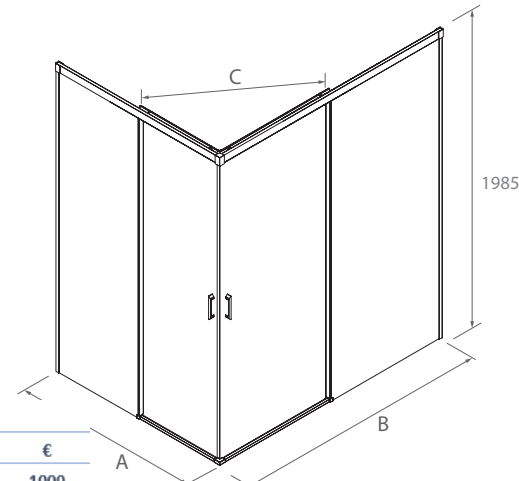
- Fixed side width
- Fixed side position (Left / Right)
- Digital serigraphs (S1, S2, S3, S4)
- Installation (On the shower tray / On the floor)



# KEMI Chrome profile

CORNER TWO DOORS AND TWO FIXED

- Transparent tempered glass EN-12150 6 mm on the door and fixed
- Expansion 10 mm per side
- Without interior profiles
- Height 1985 mm
- Double tandem bearings
- Possibility of 4 digital serigraphs
- Facilidad liberación de la hoja corredera. Pinzametálica.
- Anti-lime treatment included



Measure		Chrome profile							
A	B	Transp	€	Fume	€	Translu	€	Digital	€
700	900	88354	826	88387	899	88429	899	88467	1009
700	901 a 1000	88355	833	88388	917	88430	917	88468	1022
700	1001 a 1100	88356	839	88389	938	88431	938	88469	1030
700	1101 a 1200	88357	852	88390	970	88432	970	88470	1036
700	1201 a 1300	88358	865	88391	1009	88433	1009	88471	1043
700	1301 a 1400	88359	873	88392	1043	88434	1043	88472	1049
700	1401 a 1500	88360	891	88393	1049	88435	1049	88473	1062
700	1501 a 1600	88361	899	88394	1057	88436	1062	88474	1070
700	1601 a 1700	88362	912	88395	1070	88437	1070	88475	1075
700	1701 a 1800	88363	938	88396	1122	88438	1122	88476	1122
700	1801 a 1900	88364	983	88397	1154	88439	1154	88477	1162
700	1901 a 2000	88365	1030	88398	1193	88440	1180	88478	1201
701 - 800	701 - 800	88366	826	88399	899	88441	899	88479	1009
701 - 800	801 - 900	88367	833	88400	938	88442	938	88480	1022
701 - 800	901 - 1000	88368	839	88401	944	88443	944	88481	1030
701 - 800	1001 - 1100	88369	860	88402	1009	88444	1009	88482	1043
701 - 800	1101 - 1200	88370	865	88403	1017	88445	1017	88483	1049
701 - 800	1201 - 1300	88371	873	88404	1043	88446	1043	88484	1062
701 - 800	1301 - 1400	88372	891	88405	1049	88447	1049	88485	1070
701 - 800	1401 - 1500	88373	912	88406	1070	88448	1070	88486	1075
701 - 800	1501 - 1600	88374	925	88407	1075	88449	1070	88487	1083
701 - 800	1601 - 1700	88375	938	88408	1122	88450	1122	88488	1122
701 - 800	1701 - 1800	88376	983	88409	1154	88451	1154	88489	1162
701 - 800	1801 - 1900	88377	1030	88410	1193	88452	1193	88490	1201
701 - 800	1901 - 2000	88378	1061	88411	1232	88455	1232	88491	1240
801 - 900	801 - 900	88379	839	88418	938	88456	938	88492	1030
801 - 900	901 - 1000	88380	865	88420	1009	88457	1009	88493	1043
801 - 900	1001 - 1200	88381	891	88423	1043	88458	1043	88494	1062
801 - 900	1201 - 1400	88382	912	88424	1070	88459	1070	88495	1075
801 - 900	1401 - 1600	88383	938	88425	1122	88460	1122	88496	1122
801 - 900	1601 - 1700	88384	983	88426	1154	88461	1154	88497	1162
801 - 900	1701 - 1800	88385	1030	88427	1193	88462	1200	88498	1201
801 - 900	1801 - 2000	88386	1088	88428	1272	88463	1272	88499	1280



IMMEDIATE SERVICE FOR REFERENCES IN STOCK. \*codes in blue



\* DELIVERY IN 21 DAYS FOR CODES IN ORANGE

## DIGITAL SERIGRAPHS

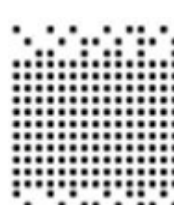
S1



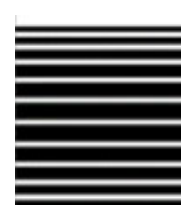
S2



S3



S4



### ⚠ What variables of my screen should I indicate?

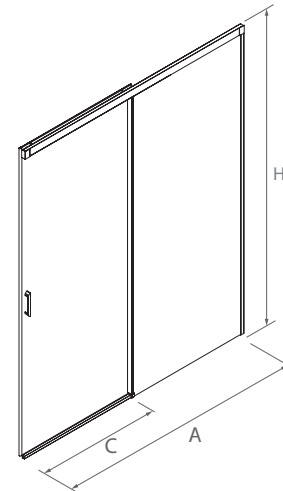
- Measurements A and B
- Position of A and B (Left / Right)
- Digital serigraphs (S1, S2, S3, S4)
- Installation (On the shower tray / On the floor)



# KEMI CHROME PROFILE(SPECIAL HEIGHT)

SHOWER SCREEN FRONT 1 DOOR AND 1 FIXED

- Transparent tempered glass EN-12150 6 mm on the door and fixed
- Expansion 10 mm
- Without interior profiles
- Height from 1500 mm to 2100 mm
- Double tandem bearings
- Possibility of 4 digital serigraphs
- Easy release of the sliding leaf. Metal clamp.
- Anti-lime treatment included



Measure	Chrome profile								
	Transp	€	Fume	€	Translu	€	Digital	€	
960	1000	88786	589	88797	781	88834	781	88847	589
1001	1100	88787	597	88798	839	88835	839	88848	597
1101	1200	88788	612	88799	865	88837	865	88849	612
1201	1300	88789	623	88800	899	88838	899	88850	623
1301	1400	88790	655	88801	917	88839	917	88851	655
1401	1500	88791	663	88802	938	88840	938	88852	663
1501	1600	88792	668	88803	970	88842	970	88853	668
1601	1700	88793	681	88804	996	88843	996	88854	681
1701	1800	88794	694	88805	1030	88844	1030	88857	694
1801	1900	88795	715	88832	1049	88845	1049	88858	715
1901	2000	88796	768	88833	1083	88846	1083	88859	768



## DIGITAL SERIGRAPHS



## OPTIONAL MAGNETIC PROFILES

		€
CHROME	90167	42
BLACK	90168	42



### ⚠ What variables of my screen should I indicate?

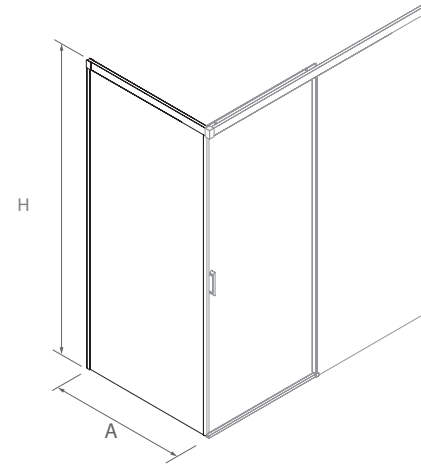
- Screen width
- Fixed glass position (Left / Right)
- Digital serigraphs (S1, S2, S3, S4)
- Screen height



# KEMI CHROME PROFILE(SPECIAL HEIGHT)

FIXED SIDE

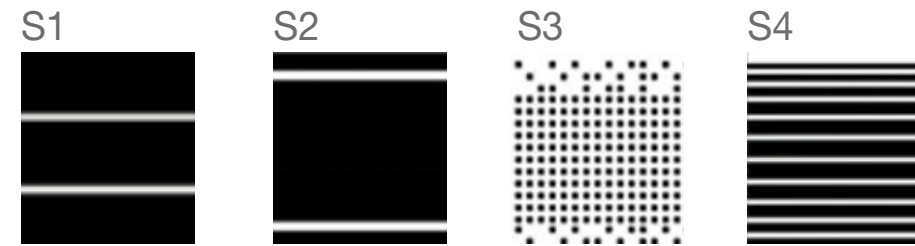
- Transparent tempered glass EN-12150 6 mm
- Expansion 10 mm
- Without interior profiles
- Height from 1500 mm to 2100 mm
- Possibility of 4 digital serigraphs
- Anti-lime treatment included



Measure	Chrome profile							
	Transp	€	Fume	€	Translu	€	Digital	€
120 300	88860	366	88867	387	88897	387	88904	427
301 600	88861	387	88868	406	88898	406	88905	440
601 700	88862	392	88869	419	88899	419	88906	453
701 800	88863	406	88870	479	88900	479	88907	471
801 900	88864	419	88871	545	88901	545	88908	484
901 1000	88865	427	88872	602	88902	602	88909	497
1001 1100	88866	471	88873	715	88903	715	88910	545



## DIGITAL SERIGRAPHS



### ⚠ What variables of my screen should I indicate?

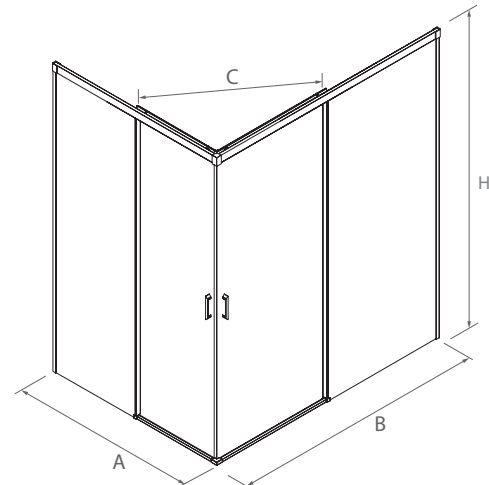
- Fixed side width
- Fixed side position (Left / Right)
- Digital serigraphs (S1, S2, S3, S4)
- Installation (On the shower tray / On the floor)
- Screen height



# KEMI CHROME PROFILE(SPECIAL HEIGHT)

CORNERTWO DOORS AND TWO FIXED

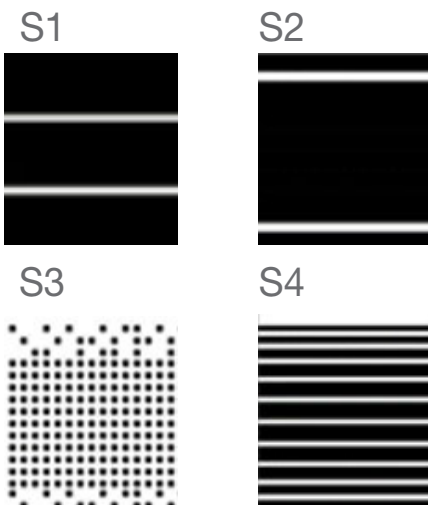
- Transparent tempered glass EN-12150 6 mm on the door and fixed
- Expansion 10 mm per side
- Without interior profiles
- Height from 1500 mm to 2100 mm
- Double tandem bearings
- Possibility of 4 digital serigraphs
- Facilidad liberación de la hoja corredera. Pinzametálica.
- Anti-lime treatment included



Measure		Chrome profile							
A	B	Transp	€	Fume	€	Translu	€	Digital	€
700	900	88911	865	88987	970	89019	938	89059	1043
700	901 a 1000	88912	873	88988	1009	89020	970	89060	1049
700	1001 a 1100	88913	891	88989	1022	89021	1009	89061	1062
700	1101 a 1200	88914	899	88990	1043	89022	1022	89062	1070
700	1201 a 1300	88915	912	88991	1070	89023	1043	89063	1083
700	1301 a 1400	88916	917	88992	1075	89024	1070	89064	1083
700	1401 a 1500	88917	931	88993	1114	89025	1075	89065	1114
700	1501 a 1600	88918	938	88994	1122	89026	1114	89066	1122
700	1601 a 1700	88919	952	88995	1162	89027	1122	89067	1127
700	1701 a 1800	88920	996	88996	1206	89028	1162	89068	1167
700	1801 a 1900	88921	1030	88997	1253	89029	1206	89071	1206
700	1901 a 2000	88922	1062	88998	938	89030	1253	89072	1246
701 - 800	701 - 800	88923	865	88999	1009	89031	938	89073	1043
701 - 800	801 - 900	88924	873	89000	1017	89032	1009	89074	1049
701 - 800	901 - 1000	88925	891	89001	1043	89033	1017	89075	1062
701 - 800	1001 - 1100	88926	912	89002	1049	89034	1043	89076	1075
701 - 800	1101 - 1200	88927	917	89003	1070	89035	1049	89077	1083
701 - 800	1201 - 1300	88928	925	89004	1075	89036	1070	89078	1114
701 - 800	1301 - 1400	88971	931	89005	1122	89037	1075	89079	1122
701 - 800	1401 - 1500	88972	952	89006	1127	89038	1122	89080	1127
701 - 800	1501 - 1600	88973	957	89007	1162	89039	1127	89081	1135
701 - 800	1601 - 1700	88974	996	89008	1206	89040	1162	89082	1167
701 - 800	1701 - 1800	88975	1030	89009	1253	89044	1206	89083	1206
701 - 800	1801 - 1900	88976	1062	89010	1280	89046	1253	89084	1246
701 - 800	1901 - 2000	88977	1114	89011	1009	89050	1280	89085	1285
801 - 900	801 - 900	88978	891	89012	1043	89051	1009	89086	1062
801 - 900	901 - 1000	88979	912	89013	1070	89052	1043	89087	1075
801 - 900	1001 - 1200	88980	931	89014	1122	89053	1070	89088	1114
801 - 900	1201 - 1400	88981	952	89015	1162	89054	1122	89089	1127
801 - 900	1401 - 1600	88982	996	89016	1206	89055	1162	89090	1167
801 - 900	1601 - 1700	88983	1030	89017	1253	89056	1206	89091	1206
801 - 900	1701 - 1800	88984	1062	89018	1332	89057	1253	89092	1246
801 - 900	1801 - 2000	88985	1114	88428	1272	89058	1332	89093	1337



## DIGITAL SERIGRAPHS



### ⚠ What variables of my screen should I indicate?

- Measurements A and B
- Position of A and B (Left / Right)
- Digital serigraphs (S1, S2, S3, S4)
- Installation (On the shower tray / On the floor)
- Screen height

Ultra-Protect  
Anti-limescale treatment included

UNE  
EN-14426 standard



KEMI

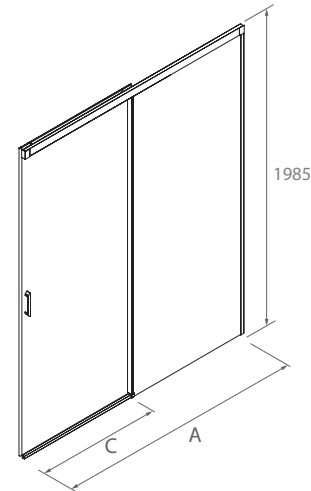




# KEMI BLACK PROFILE

SHOWER SCREEN FRONT 1 DOOR AND 1 FIXED

- Transparent tempered glass EN-12150 6 mm on the door and fixed
- Expansion 10 mm
- Without interior profiles
- Height 1985 mm
- Double tandem bearings
- Possibility of 4 digital serigraphs
- Easy release of the sliding leaf. Metal clamp.
- Anti-lime treatment included



Measure		Black profile							
		Transp	€	Fume	€	Translu	€	Digital	€
960	1000	88500	602	88511	839	88522	839	88533	768
1001	1100	88501	616	88512	865	88523	865	88534	781
1101	1200	88502	622	88513	899	88524	899	88535	826
1201	1300	88503	637	88514	917	88525	917	88542	839
1301	1400	88504	643	88515	938	88526	938	88543	852
1401	1500	88505	663	88516	970	88527	970	88544	865
1501	1600	88506	677	88517	996	88528	996	88545	865
1601	1700	88507	731	88518	1030	88529	1030	88546	899
1701	1800	88508	742	88519	1043	88530	1043	88547	1009
1801	1900	88509	755	88520	1070	88531	1070	88548	1043
1901	2000	88510	773	88521	1122	88532	1122	88549	1070



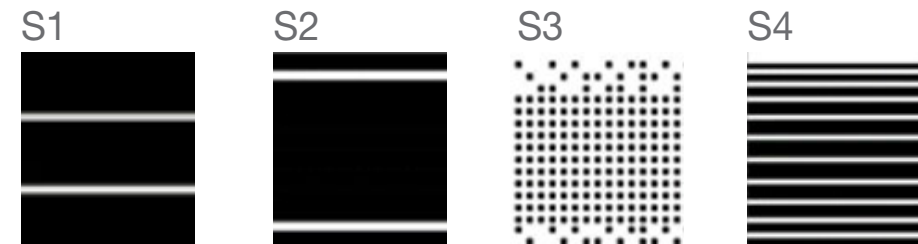
IMMEDIATE SERVICE FOR REFERENCES IN STOCK  
\* codes in blue



\* DELIVERY IN 21 DAYS FOR CODES IN ORANGE



## DIGITAL SERIGRAPHS

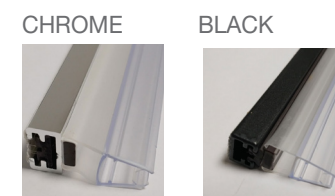


### ⚠ What variables of my screen should I indicate?

- Screen width
- Fixed glass position (Left / Right)
- Digital serigraphs (S1, S2, S3, S4)

### OPTIONAL MAGNETIC PROFILES

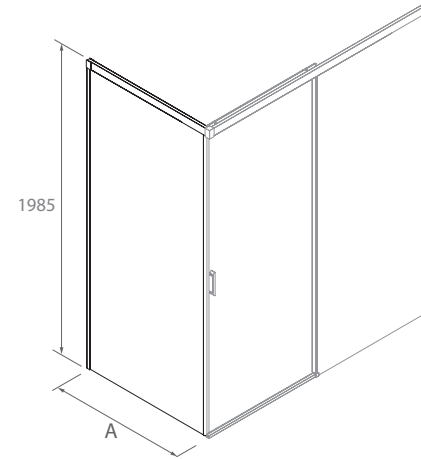
		€
CHROME	90167	42
BLACK	90168	42



# KEMI BLACK PROFILE

FIXED SIDE

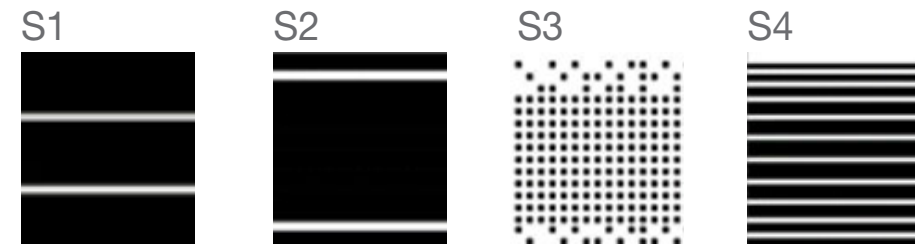
- Transparent tempered glass EN-12150 6 mm
- Expansion 10 mm
- Without interior profiles
- Height 1985 mm
- Possibility of 4 digital serigraphs
- Anti-lime treatment included



Measure		Black profile							
		Transp	€	Fume	€	Translu	€	Digital	€
120	300	88550	327	88558	366	88565	366	88574	419
301	600	88552	340	88559	387	88567	387	88575	427
601	700	88553	353	88560	406	88568	406	88576	436
701	800	88554	366	88561	471	88569	471	88577	449
801	900	88555	379	88562	524	88571	524	88578	471
901	1000	88556	392	88563	576	88572	576	88579	479
1001	1100	88557	406	88564	629	88573	629	88580	524



## DIGITAL SERIGRAPHS



### ⚠ What variables of my screen should I indicate?

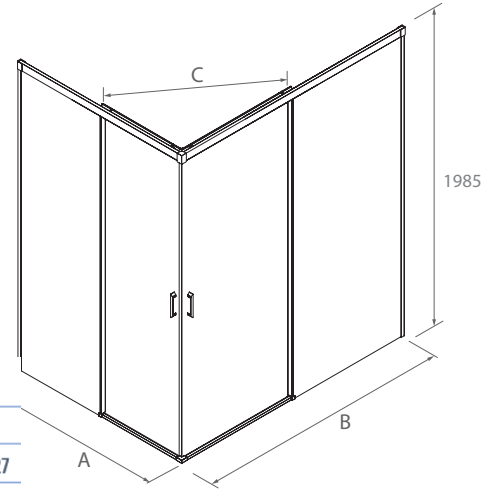
- Fixed side width
- Fixed side position (Left / Right)
- Digital serigraphs (S1, S2, S3, S4)
- Installation (On the shower tray / On the floor)



# KEMI BLACK PROFILE

CORNERTWO DOORS AND TWO FIXED

- Transparent tempered glass EN-12150 6 mm on the door and fixed
- Expansion 10 mm per side
- Without interior profiles
- Height 1985 mm
- Double tandem bearings
- Possibility of 4 digital serigraphs
- Facilidad liberación de la hoja corredera. Pinzametálica.
- Anti-lime treatment included



Measure		Black profile							
A	B	Transp	€	Fume	€	Translu	€	Digital	€
700	900	88581	952	88625	1043	88670	1043	88708	1127
700	901 a 1000	88582	970	88626	1062	88671	1062	88709	1154
700	1001 a 1100	88583	983	88627	1083	88672	1083	88710	1162
700	1101 a 1200	88585	1009	88628	1114	88674	1114	88711	1167
700	1201 a 1300	88586	1022	88629	1127	88675	1127	88712	1180
700	1301 a 1400	88587	1030	88630	1154	88676	1154	88713	1193
700	1401 a 1500	88588	1036	88631	1175	88677	1175	88714	1206
700	1501 a 1600	88589	1043	88632	1201	88678	1201	88715	1214
700	1601 a 1700	88590	1049	88634	1219	88680	1219	88716	1227
700	1701 a 1800	88591	1075	88635	1272	88681	1272	88717	1267
700	1801 a 1900	88598	1122	88636	1311	88683	1311	88718	1319
700	1901 a 2000	88599	1162	88637	1345	88684	1345	88719	1345
701 - 800	701 - 800	88600	952	88647	1043	88685	1043	88720	1127
701 - 800	801 - 900	88601	970	88648	1062	88686	1062	88721	1154
701 - 800	901 - 1000	88602	983	88649	1083	88687	1083	88722	1162
701 - 800	1001 - 1100	88604	1009	88650	1114	88688	1114	88723	1167
701 - 800	1101 - 1200	88605	1022	88651	1127	88689	1127	88724	1180
701 - 800	1201 - 1300	88606	1030	88652	1154	88690	1154	88725	1193
701 - 800	1301 - 1400	88607	1036	88653	1175	88691	1175	88727	1206
701 - 800	1401 - 1500	88608	1043	88654	1201	88692	1201	88729	1214
701 - 800	1501 - 1600	88609	1049	88655	1219	88693	1219	88730	1227
701 - 800	1601 - 1700	88610	1075	88656	1272	88694	1272	88731	1267
701 - 800	1701 - 1800	88611	1122	88657	1311	88695	1311	88732	1319
701 - 800	1801 - 1900	88613	1162	88658	1345	88696	1345	88733	1345
701 - 800	1901 - 2000	88614	1201	88659	1411	88697	1385	88734	1390
801 - 900	801 - 900	88616	983	88660	1083	88698	1083	88735	1154
801 - 900	901 - 1000	88617	1009	88661	1114	88699	1114	88736	1167
801 - 900	1001 - 1200	88618	1030	88662	1154	88700	1154	88737	1193
801 - 900	1201 - 1400	88619	1043	88663	1201	88701	1201	88738	1214
801 - 900	1401 - 1600	88620	1075	88666	1272	88702	1272	88739	1267
801 - 900	1601 - 1700	88622	1122	88667	1311	88704	1311	88741	1319
801 - 900	1701 - 1800	88623	1162	88668	1345	88705	1345	88742	1345
801 - 900	1801 - 2000	88624	1253	88669	1429	88707	1429	88743	1437



IMMEDIATE SERVICE FOR REFERENCES IN STOCK.  
\* codes in blue



\* DELIVERY IN 21 DAYS FOR CODES IN ORANGE

## DIGITAL SERIGRAPHS

S1



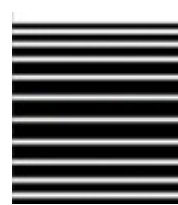
S3



S2



S4



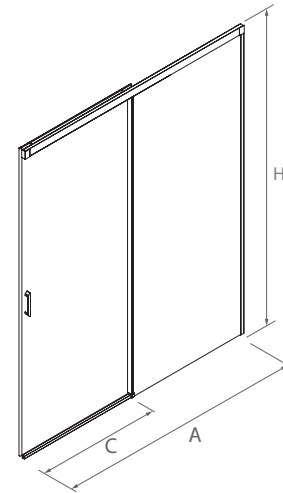
### ! What variables of my screen should I indicate?

- Measurements A and B
- Position of A and B (Left / Right)
- Digital serigraphs (S1, S2, S3, S4)
- Installation (On the shower tray / On the floor)

# KEMI BLACK PROFILE (SPECIAL HEIGHT)

SHOWER SCREEN FRONT 1 DOOR AND 1 FIXED

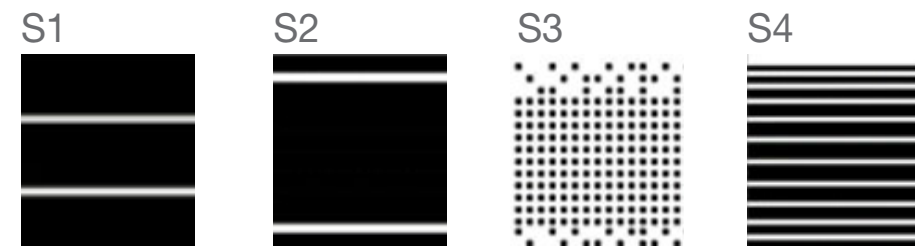
- Transparent tempered glass EN-12150 6 mm on the door and fixed
- Expansion 10 mm
- Without interior profiles
- Height from 1500 mm to 2100 mm
- Double tandem bearings
- Possibility of 4 digital serigraphs
- Easy release of the sliding leaf. Metal clamp.
- Anti-lime treatment included



Measure		Black profile							
		Transp	€	Fume	€	Translu	€	Digital	€
960	1000	89094	668	89105	891	89116	891	89128	839
1001	1100	89095	681	89106	912	89117	912	89129	865
1101	1200	89096	694	89107	931	89118	931	89130	873
1201	1300	89097	702	89108	952	89119	952	89131	891
1301	1400	89098	734	89109	983	89120	983	89132	899
1401	1500	89099	715	89110	1022	89121	1022	89133	912
1501	1600	89100	734	89111	1043	89122	1043	89139	917
1601	1700	89101	760	89112	1062	89123	1062	89140	931
1701	1800	89102	768	89113	1083	89124	1083	89141	1049
1801	1900	89103	826	89114	1122	89126	1122	89142	1075
1901	2000	89104	865	89115	1162	89127	1162	89143	1122



## DIGITAL SERIGRAPHS

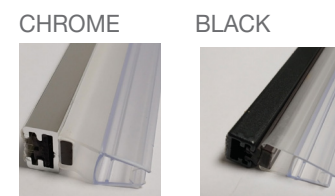


### ⚠ What variables of my screen should I indicate?

- Screen width
- Fixed glass position (Left / Right)
- Digital serigraphs (S1, S2, S3, S4)
- Screen height

### OPTIONAL MAGNETIC PROFILES

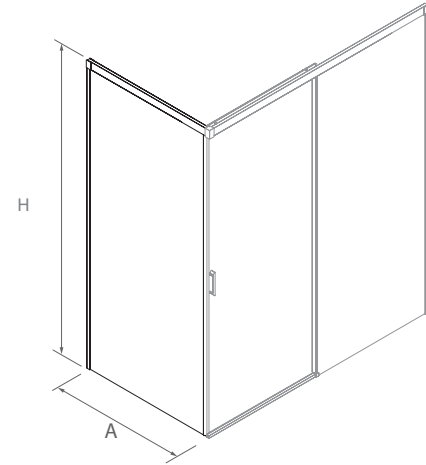
		€
CHROME	90167	42
BLACK	90168	42



# KEMI BLACK PROFILE (SPECIAL HEIGHT)

FIXED SIDE

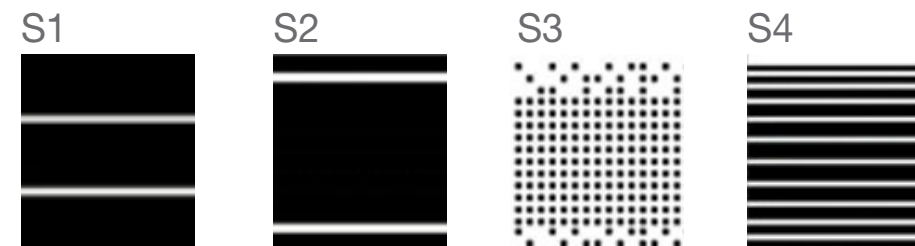
- Transparent tempered glass EN-12150 6 mm
- Expansion 10 mm
- Without interior profiles
- Height from 1500 mm to 2100 mm
- Possibility of 4 digital serigraphs
- Anti-lime treatment included



Measure		Black profile							
		Transp	€	Fume	€	Translu	€	Digital	€
120	300	89144	366	89151	419	89158	419	89165	471
301	600	89145	387	89152	436	89159	436	89166	479
601	700	89146	392	89153	449	89160	449	89167	484
701	800	89147	406	89154	511	89161	511	89168	497
801	900	89148	419	89155	571	89162	571	89169	518
901	1000	89149	427	89156	629	89163	629	89170	532
1001	1100	89150	471	89157	760	89164	760	89171	571



## DIGITAL SERIGRAPHS



### ⚠ What variables of my screen should I indicate?

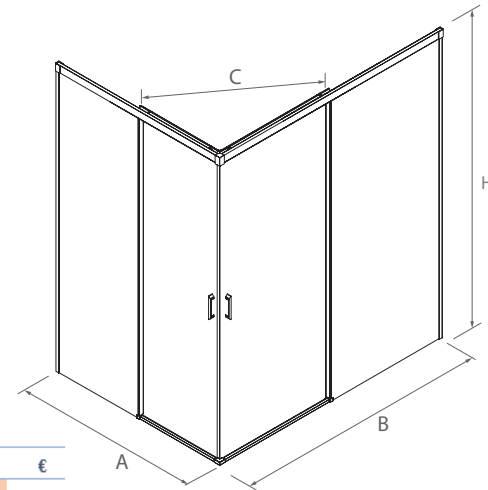
- Fixed side width
- Fixed side position (Left / Right)
- Digital serigraphs (S1, S2, S3, S4)
- Installation (On the shower tray / On the floor)
- Screen height



# KEMI BLACK PROFILE (SPECIAL HEIGHT)

CORNERTWO DOORS AND TWO FIXED

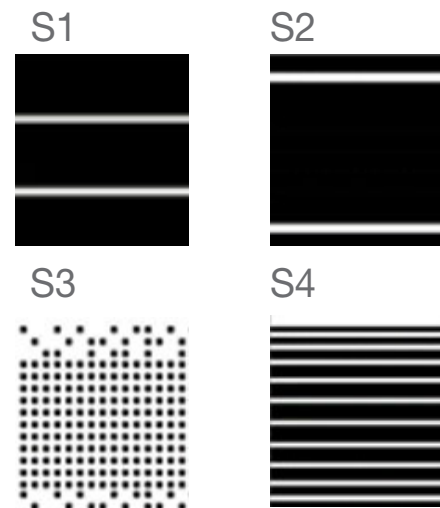
- Transparent tempered glass EN-12150 6 mm on the door and fixed
- Expansion 10 mm per side
- Without interior profiles
- Height from 1500 mm to 2100 mm
- Double tandem bearings
- Possibility of 4 digital serigraphs
- Facilidad liberación de la hoja corredera. Pinzametálica.
- Anti-lime treatment included



Measure		Black profile							
A	B	Transp	€	Fume	€	Translu	€	Digital	€
700	900	89172	1022	89275	1083	89308	1083	89356	1180
700	901 a 1000	89173	1030	89276	1114	89309	1114	89357	1193
700	1001 a 1100	89174	1036	89277	1127	89310	1127	89358	1206
700	1101 a 1200	89175	1043	89278	1154	89311	1154	89359	1214
700	1201 a 1300	89176	1049	89279	1180	89312	1180	89360	1227
700	1301 a 1400	89177	1062	89280	1201	89313	1201	89361	1240
700	1401 a 1500	89178	1070	89281	1219	89314	1219	89362	1253
700	1501 a 1600	89179	1075	89282	1246	89315	1246	89363	1272
700	1601 a 1700	89180	1083	89283	1267	89316	1267	89364	1280
700	1701 a 1800	89181	1127	89284	1319	89317	1319	89365	1219
700	1801 a 1900	89182	1167	89285	1351	89318	1351	89366	1358
700	1901 a 2000	89183	1206	89286	1390	89319	1390	89367	1398
701 - 800	701 - 800	89184	1022	89287	1083	89335	1083	89368	1180
701 - 800	801 - 900	89185	1030	89288	1114	89336	1114	89369	1193
701 - 800	901 - 1000	89186	1036	89289	1127	89337	1127	89370	1206
701 - 800	1001 - 1100	89187	1043	89290	1154	89338	1154	89372	1214
701 - 800	1101 - 1200	89188	1049	89291	1180	89339	1180	89373	1227
701 - 800	1201 - 1300	89189	1062	89292	1201	89340	1201	89374	1240
701 - 800	1301 - 1400	89190	1070	89293	1219	89341	1219	89375	1253
701 - 800	1401 - 1500	89191	1083	89294	1246	89342	1246	89376	1272
701 - 800	1501 - 1600	89192	1088	89295	1267	89343	1267	89377	1280
701 - 800	1601 - 1700	89193	1127	89296	1319	89344	1319	89378	1206
701 - 800	1701 - 1800	89194	1167	89297	1351	89345	1351	89379	1358
701 - 800	1801 - 1900	89195	1206	89298	1390	89346	1390	89380	1398
701 - 800	1901 - 2000	89196	1246	89299	1437	89347	1437	89381	1444
801 - 900	801 - 900	89197	1030	89300	1127	89348	1127	89382	1206
801 - 900	901 - 1000	89198	1043	89301	1154	89349	1154	89383	1214
801 - 900	1001 - 1200	89201	1062	89302	1201	89350	1201	89384	1240
801 - 900	1201 - 1400	89202	1075	89303	1246	89351	1246	89385	1272
801 - 900	1401 - 1600	89203	1127	89304	1319	89352	1319	89386	1337
801 - 900	1601 - 1700	89204	1167	89305	1351	89353	1351	89387	1358
801 - 900	1701 - 1800	89205	1206	89306	1390	89354	1390	89388	1398
801 - 900	1801 - 2000	89206	1285	89307	1477	89355	1477	89389	1509



## DIGITAL SERIGRAPHS



### ⚠ What variables of my screen should I indicate?

- Measurements A and B
- Position of A and B (Left / Right)
- Digital serigraphs (S1, S2, S3, S4)
- Installation (On the shower tray / On the floor)
- Screen height



**Salgar**  
[www.salgar.net](http://www.salgar.net)