
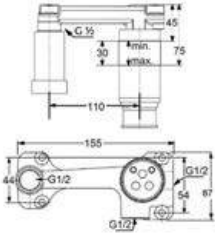

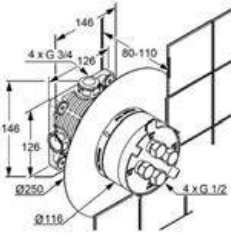


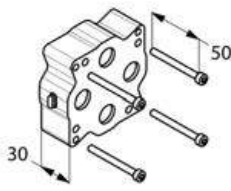

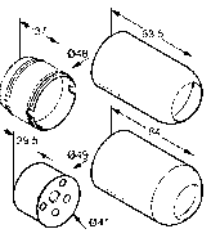

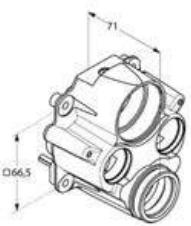

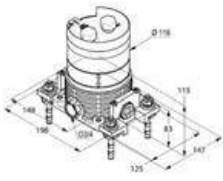
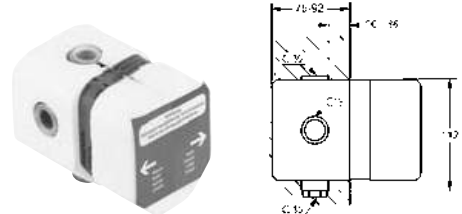
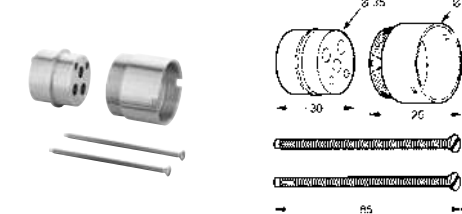



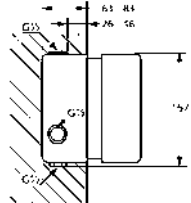

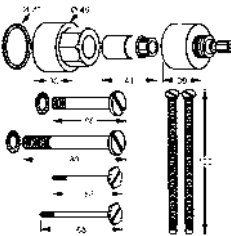

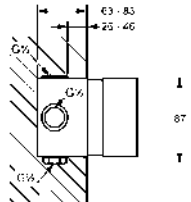

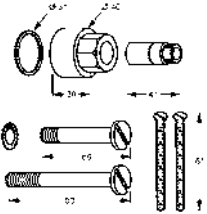

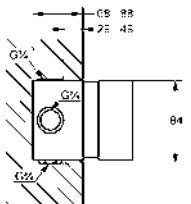

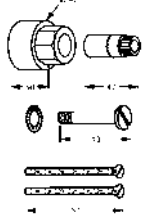
# Pre-installation sets for all fitting ranges

product	product description	surface	article number
 	<p><b>installation set DN 15 for concealed two hole wall mounted basin mixer</b>                      for concealed installation                      flow class S                      ceramic cartridge with hot water limitation                      pre-installation plug G 1/2                      mounting-depth-compensation 30 mm                      connection G 1/2                      without trim set                      noise level I</p>		<p>38243</p>
 	<p><b>KLUDI FLEXX.BOXX concealed unit DN 20</b>                      pre-installation set                      without trim set                      without functional unit                      in-wall installation                      with one-piece elastomere-coating                      with protection cap for skeleton                      with additional tight gasket                      with flushing set                      dezincification resistant brass                      P-IX 19310/ICB</p>		<p>88011</p> 
 	<p><b>concealed extension set for trim set suitable to KLUDI FLEXX.BOXX 88011</b>                      L = 30 mm                      dezincification resistant brass                      DIN 50930-6</p>	<p>neutral</p>	<p>7300600-00</p>
 	<p><b>adaptor for wrong installed function part for KLUDI FLEXX.BOXX single lever variants</b>                      (reserved cold and hot water supply)                      dezincification resistant brass                      for KLUDI FLEXX.BOXX 88011</p>	<p>neutral</p>	<p>7458000-00</p>
 	<p><b>adaptor for wrong installed function part for KLUDI FLEXX.BOXX THM variants</b>                      (reserved cold and hot water supply)                      dezincification resistant brass                      for KLUDI FLEXX.BOXX 88011</p>	<p>neutral</p>	<p>7400100-00</p>
 	<p><b>KLUDI FLEXX.BOXX concealed unit DN 20</b>                      for freestanding bath- and shower mixer                      for floor mounting                      with one-piece elastomere-coating                      dezincification resistant brass                      with protection cap for skeleton                      with self-sealing sleeve                      with flushing set                      without stand fitting</p>		<p>88088</p>

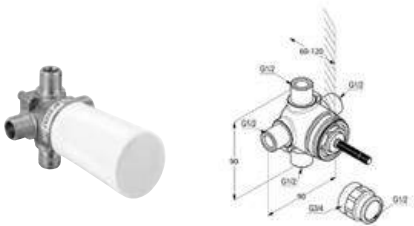
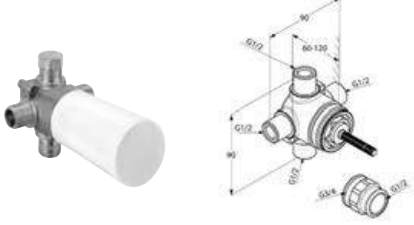
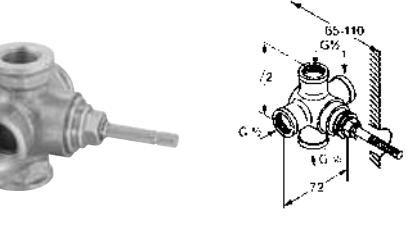
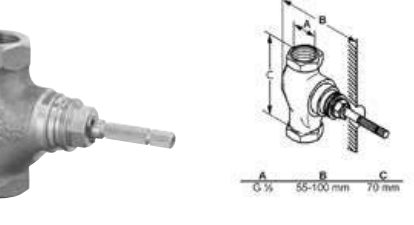
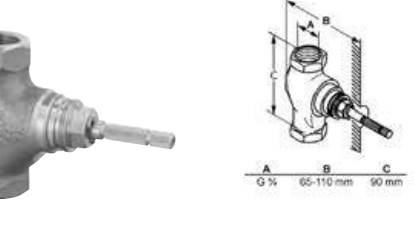
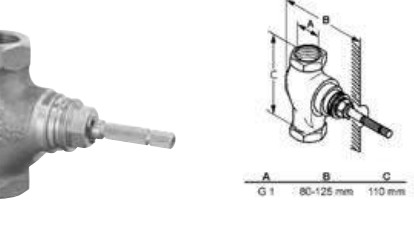
# Pre-installation sets for all fitting ranges

product	product description	surface	article number
	<p><b>concealed mixer DN 15 pre installation set</b>                      without trim set                      in-wall installation                      flow class BB                      ceramic cartridge with hot water limitation                      incl. adhesive bonding                      for concealed dry-installation                      P-IX 9734/IBB</p>		33434
	<p><b>extension for concealed body 33434</b>                      30 mm length</p>	chrome	7423305-00
	<p><b>concealed assembly set for pre-wall installation</b>                      for concealed body 33434, 35424, 33424</p>	neutral	7624400-00
	<p><b>concealed mixer DN 15 pre installation set</b>                      without trim set                      in-wall installation                      flow class BB                      ceramic cartridge with hot water limitation                      noise level I                      PA-IX 8281/IBB</p>		38625
	<p><b>extension for concealed bath and shower mixer 38624/38625</b>                      30 mm length</p>	chrome	7598005-00
	<p><b>extension for concealed shower mixer 38826, 38625, 38243</b>                      30 mm length</p>	chrome	7598105-00

Pre-installation sets for all fitting ranges

product	product description	surface	article number
	 <p><b>Thermostat concealed thermostatic mixer DN 15</b>                      pre installation set                      without trim set                      in-wall installation                      flow class B                      with therm E-cartridge                      with shut-off valve                      dirt catcher sieves                      PA-IX 8409/IB</p>		<p>35156</p>
	 <p><b>extension for concealed thermostatic mixer</b>                      with shut-off valve 35156                      30 mm length</p>	<p>chrome                      gold plated 23 carat</p>	<p>7573105-00                      7573145-00</p>
	 <p><b>Thermostat concealed thermostatic mixer DN 15</b>                      pre installation set                      without trim set                      in-wall installation                      flow class B                      with therm E-cartridge                      without shut-off valve                      dirt catcher sieves                      P-IX 8410/II</p>		<p>35158</p>
	 <p><b>extension for concealed thermostatic mixer</b>                      without shut-off valve 35158                      30 mm length</p>	<p>chrome                      gold plated 23 carat</p>	<p>7573005-00                      7573045-00</p>
	 <p><b>Thermostat concealed thermostatic mixer DN 20</b>                      pre installation set                      without trim set                      in-wall installation                      flow class D                      without shut-off valve                      dirt catcher sieves                      P-IX 8574/II</p>		<p>35093</p>
	 <p><b>extension for concealed thermostatic mixer</b>                      without shut-off valve 35093                      30 mm length</p>	<p>chrome</p>	<p>7572705-00</p>


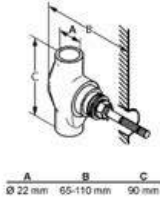

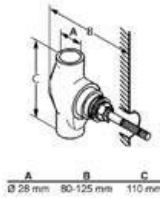

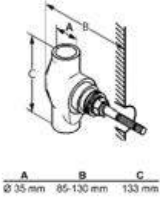

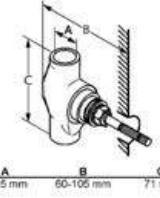

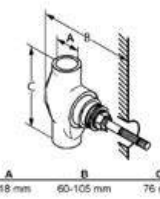

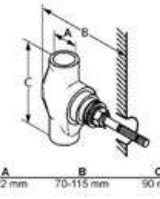
# Pre-installation sets for all fitting ranges

product	product description	surface	article number
	<p><b>KLUDI</b>  <b>three-way diverter DN 15</b>                      set 1 – pre-installation                      in-wall installation                      diverter                      1 connection G 3/4                      3 spouts G 1/2</p>		29757
	<p><b>KLUDI</b>  <b>two way diverter DN 15</b>                      set 1 – pre-installation                      in-wall installation                      diverter                      1 connection G 3/4                      2 spouts G 1/2</p>		29747
	<p><b>two way diverter DN 15</b>                      set 1 – pre-installation                      in-wall installation                      diverter                      2 connections G 1/2                      shower outlet G 1/2                      tub spout G 3/4</p>	neutral	2975100
	<p><b>concealed valve DN 15</b>                      set 1 – pre-installation                      sleeve                      connection G 1/2                      PA-IX 9923/I</p>		29209
	<p><b>concealed valve DN 20</b>                      set 1 – pre-installation                      sleeve                      connection G 3/4                      PA-IX 2427/I</p>		29211
	<p><b>concealed valve DN 25</b>                      set 1 – pre-installation                      sleeve                      connection G 1                      PA-IX 2483/I</p>		29213


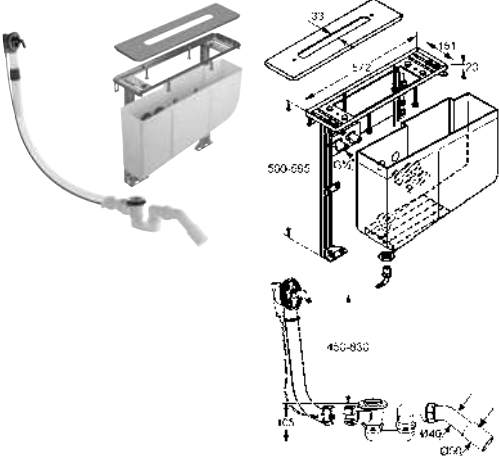
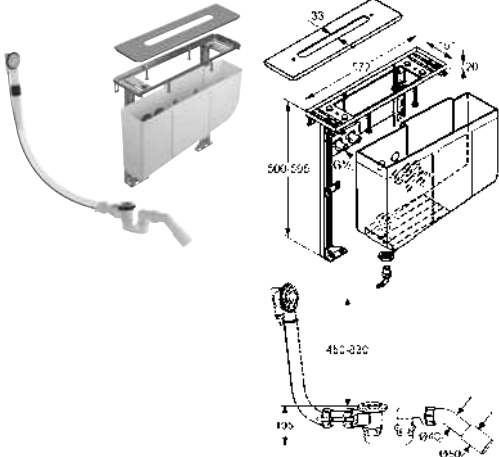
Pre-installation sets for all fitting ranges

product	product description	surface	article number
	<p><b>concealed valve DN 32</b>  <b>set 1 – pre-installation</b>                      sleeve                      connection G 1 1/4</p>		29215
	<p><b>concealed valve DN 15</b>  <b>connection G 1/2</b>                      set 1 – pre-installation                      ceramic headpart                      sleeve                      noise level I</p>		29809
	<p><b>concealed valve DN 20</b>  <b>connection G 3/4</b>                      set 1 – pre-installation                      ceramic headpart                      sleeve                      noise level I</p>		29811
	<p><b>KLUDI</b>  <b>concealed valve DN 20</b>                      set 1 – pre-installation                      connection G 3/4                      ceramic headpart 90°                      sleeve</p>		53811
	<p><b>concealed valve DN 12</b>  <b>set 1 – pre-installation</b>                      sleeve                      soldered connection 15 mm                      PA-IX 9923/I</p>		29509
	<p><b>concealed valve DN 15</b>  <b>set 1 – pre-installation</b>                      sleeve                      soldered connection 18 mm                      PA-IX 2427/I</p>		29527

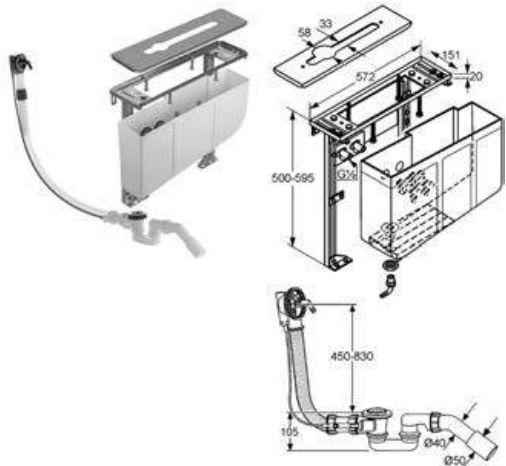
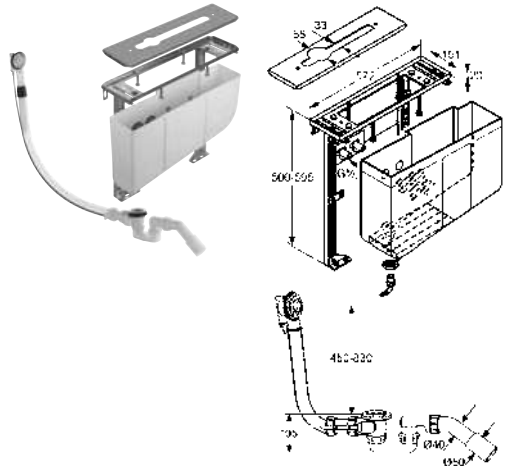
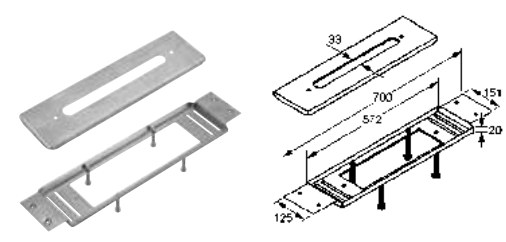
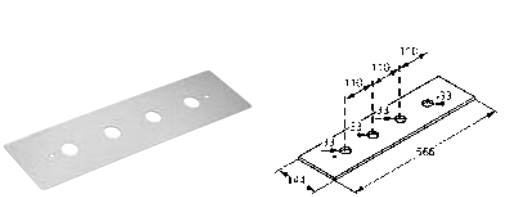
# Pre-installation sets for all fitting ranges

product	product description	surface	article number
 	<p><b>concealed valve DN 20 set 1 – pre-installation</b> sleeve soldered connection 22 mm PA-IX 2427/1</p>		29511
 	<p><b>concealed valve DN 25 set 1 – pre-installation</b> sleeve soldered connection 28 mm PA-IX 2483/1</p>		29513
 	<p><b>concealed valve DN 32 set 1 – pre-installation</b> sleeve soldered connection 35 mm</p>		29515
 	<p><b>concealed valve DN 12 soldered connection 15 mm set 1 – pre-installation</b> ceramic headpart 90° sleeve</p>		29909
 	<p><b>concealed valve DN 15 soldered connection 18 mm set 1 – pre-installation</b> ceramic headpart 90° sleeve</p>		29927
 	<p><b>concealed valve DN 20 soldered connection 22 mm set 1 – pre-installation</b> ceramic headpart 90° sleeve</p>		29911

Pre-installation sets for all fitting ranges

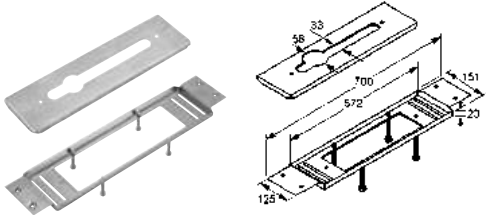
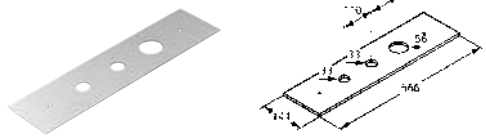

product	product description	surface	article number
	<p><b>extension for concealed valve G 1/2 - G 1 1/4</b> 40 mm length</p>	chrome	7507905-00
	<p><b>bath rim assembly kit KLUDI ROTEXA MULTI</b> pre-installation set for four hole mixer to be covered by tiles or with visible mounting plate with 2 pressure hoses G 1/2 x G 1/2 x 400 mm for angle valve connection with leak water container incl. back flow preventer with connecting hose incl. hose clamps bath filling, waste and overflow set G 1 1/2 with dripping water adapter without screw-kit 76156..-00</p>	neutral	7479400-00
	<p><b>bath rim assembly kit pre-installation set for four hole mixer</b> to be covered by tiles or with visible mounting plate with 2 pressure hoses G 1/2 x G 1/2 x 400 mm for angle valve connection with leak water container incl. back flow preventer with connecting hose incl. hose clamps pop-up and overflow set G 1 1/2 with dripping water adapter without screw-kit 76156..-00</p>	neutral	7466200-00

# Pre-installation sets for all fitting ranges

product	product description	surface	article number
	<p><b>bath rim assembly kit KLUDI ROTEXA MULTI</b> pre-installation set for three hole mixer to be covered by tiles or with visible mounting plate with 2 pressure hoses G 1/2 x G 1/2 x 400 mm for angle valve connection with leak water container incl. back flow preventer with connecting hose incl. hose clamps bath filling, waste and overflow set G 1 1/2 with dripping water adapter without screw-kit 76156..-00</p>	neutral	<b>7580200-00</b>
	<p><b>bath rim assembly kit pre-installation set for three hole mixer</b> to be covered by tiles or with visible mounting plate with 2 pressure hoses G 1/2 x G 1/2 x 400 mm for angle valve connection with leak water container incl. back flow preventer with connecting hose incl. hose clamps pop-up and overflow set G 1 1/2 with dripping water adapter without screw-kit 76156..-00</p>	neutral	<b>7480200-00</b>
	<p><b>mounting plate pre-installation set for four hole mixer</b> with frame anchor to be covered by tiles with 2 pressure hoses G 1/2 x G 1/2 x 600 mm for angle valve connection without screw-kit 76156..-00</p>		<b>7614846-00</b>
	<p><b>visible mounting plate for combination with mounting plate 76148 and assembly package 74662, 74794</b></p>	chrome gold plated 23 carat	<b>1602105</b> <b>1602145</b>



Pre-installation sets for all fitting ranges

product	product description	surface	article number
	<p><b>mounting plate pre-installation set for three hole mixer</b> with frame anchor to be covered by tiles with 2 pressure hoses G 1/2 x G 1/2 x 600 mm for angle valve connection without screw-kit 76156..-00</p>		<p>7614946-00</p>
	<p><b>visible mounting plate for combination with mounting plate 76149 and assembly package 74802, 75802</b></p>	<p>chrome</p>	<p>1602405</p>
	<p><b>screw set trim set</b> for mounting plate 76148, 76149 and assembly package 74662, 74802, 75802, 74794</p>	<p>chrome gold plated 23 carat</p>	<p>7615605-00 7615645-00</p>