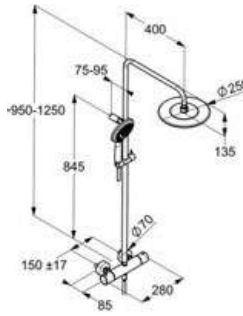


product	product description	surface	article number
---------	---------------------	---------	----------------

SHOWER SYSTEMS



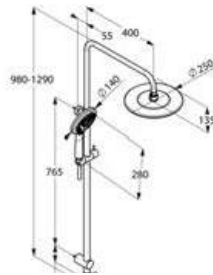
**KLUDI FRESHLINE
Thermostat Dual Shower-System DN 15**
 wall fastening
 with horizontally and vertically adjustable tube
 temperature control handle with hot water
 safety device 38° C
 with ceramic shut-off valve
 as rotary valve 90°/90°
 shower outlet G 1/2
 hand shower rotary valve
 shower outlet
 Head shower rotary valve
 protected against back flow
 horizontal and vertical adjustable slider
 with KLUDI SUPARAFLEX shower hose
 G 1/2 x G 1/2 x 1600 mm
 with KLUDI FRESHLINE head shower 6751105-00
 with KLUDI FRESHLINE 3S handshower DN 15
 6790005-00
 with mounting material



chrome

6709205-00

NEW



**KLUDI FRESHLINE
Dual-Shower-System DN 15**
 wall fastening
 with horizontally and vertically adjustable tube
 two-way ceramic diverter
 water supply with
 flexible hose G 1/2 x G 1/2 x 800 mm
 horizontal and vertical adjustable slider
 with KLUDI SUPARAFLEX shower hose
 G 1/2 x G 1/2 x 1600 mm
 with KLUDI FRESHLINE head shower 6751105-00
 with KLUDI FRESHLINE 3S handshower DN 15
 6790005-00
 with mounting material
 without shower mixer

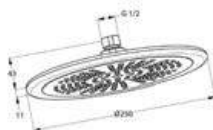


chrome

6709005-00

NEW

HEAD SHOWERS



**KLUDI FRESHLINE
head shower DN 15**
 Ø 250 mm
 with one spray mode
 with ball joint
 connection G 1/2
 without shower arm

chrome

6751105-00

NEW

SHOWER SETS



**KLUDI FRESHLINE
shower set 3S**
 L = 900 mm
 horizontal and vertical adjustable slider
 KLUDI FRESHLINE 3S handshower DN 15
 can be changed to three different spray patterns:
 volume, booster, smooth
 quick and easy cleaning system
 with KLUDI SUPARAFLEX shower hose
 G 1/2 x G 1/2 x 1600 mm
 plastic-coated
 with conical nuts
 with mounting material




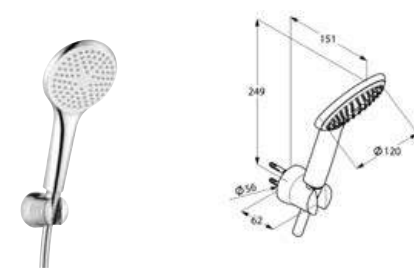
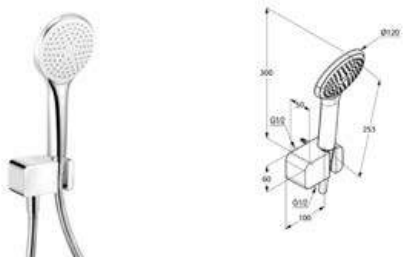
chrome

6794005-00

NEW

KLUDI FRESHLINE

product	product description	surface	article number
 	<p>KLUDI FRESHLINE shower set 3S L = 600 mm horizontal and vertical adjustable slider KLUDI FRESHLINE 3S handshower DN 15 can be changed to three different spray patterns: volume, booster, smooth quick and easy cleaning system with KLUDI SUPARAFLEX shower hose G 1/2 x G 1/2 x 1600 mm plastic-coated with conical nuts with mounting material</p>	 chrome	<p>6793005-00</p> <p>NEW</p>
 	<p>KLUDI FRESHLINE shower set 1S L = 900 mm horizontal and vertical adjustable slider KLUDI FRESHLINE 1S handshower DN 15 with one spray mode quick and easy cleaning system</p> <p>plastic-coated with conical nuts with mounting material</p>	chrome	<p>6784005-00</p> <p>NEW</p>
 	<p>KLUDI FRESHLINE shower set 1S L = 600 mm horizontal and vertical adjustable slider KLUDI FRESHLINE 1S handshower DN 15 with one spray mode quick and easy cleaning system</p> <p>plastic-coated with conical nuts with mounting material</p>	chrome	<p>6783005-00</p> <p>NEW</p>
<p>HANDSHOWER</p>  	<p>KLUDI FRESHLINE hand shower DN 15 with spray mode (volume) quick and easy cleaning system connection G 1/2</p>	chrome	<p>6780005-00</p> <p>NEW</p>
 	<p>KLUDI FRESHLINE hand shower DN 15 can be changed to three different spray patterns: volume, booster, smooth quick and easy cleaning system connection G 1/2</p>	 chrome	<p>6790005-00</p> <p>NEW</p>
<p>BATH SETS</p>  	<p>KLUDI FRESHLINE bath-shower set 3S wall fastening KLUDI FRESHLINE 3S handshower DN 15 can be changed to three different spray patterns: volume, booster, smooth quick and easy cleaning system KLUDI SUPARAFLEX SILVER G 1/2 x G 1/2 x 1250 mm plastic-coated with metal-effect with conical nuts</p>	 chrome	<p>6795005-00</p> <p>NEW</p>

product	product description	surface	article number
	<p>KLUDI FRESHLINE bath shower set 1S wall fastening KLUDI FRESHLINE 1S handshower DN 15 with spray mode (volume) quick and easy cleaning system KLUDI SUPARAFLEX SILVER G 1/2 x G 1/2 x 1250 mm plastic-coated with metal-effect with conical nuts</p>	<p>chrome</p>	<p>6785005-00 NEW</p>
	<p>KLUDI FRESHLINE bath shower set 1S KLUDI FRESHLINE 1S handshower DN 15 with spray mode (volume) KLUDI SUPARAFLEX SILVER G 1/2 x G 1/2 x 1250 mm with conical nuts wall supply with shower holder DN 15 protected against back flow in compliance with DIN EN 1717 with screws and dowels shower outlet G 1/2 noise level I</p>	<p>chrome</p>	<p>6787005-00 NEW</p>