
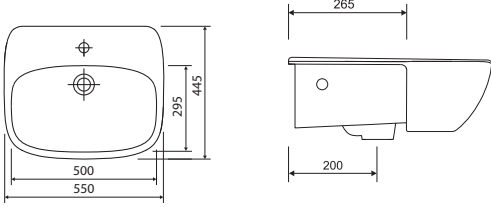
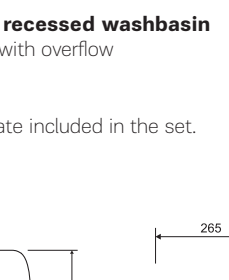

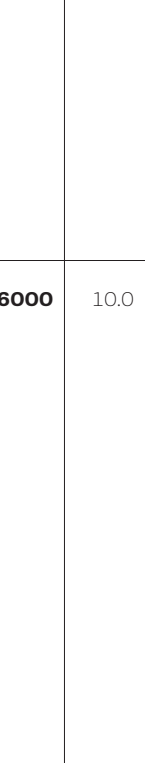

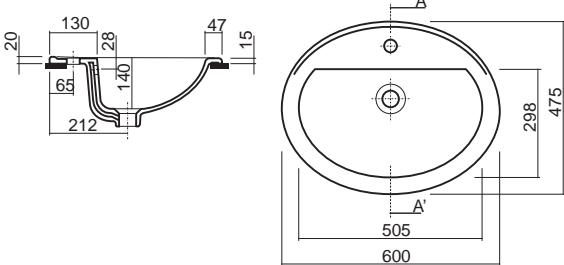

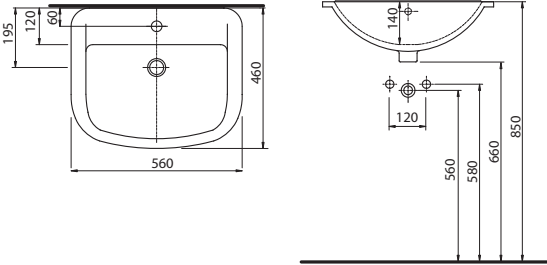


INSERT WASHBASINS



	Article No.	Weight kg	Number of pcs. per pallet
 <p>STYLE semi recessed washbasin with tap hole, with overflow 55 x 44.5 cm</p> <p>Cutting template included in the set.</p> 	<p>L21855000</p>	<p>14.5</p>	<p>24</p>
<p>L21855900</p>	<p>14.5</p>	<p>24</p>	
 <p>NOVA PRO rectangular insert washbasin with tap hole, with overflow 55 x 45 cm</p> <p>Cutting template included in the set.</p> 	<p>M31856000</p>	<p>10.0</p>	<p>24</p>
<p>NOVA PRO rectangular insert washbasin with tap hole, with overflow 60 x 45 cm</p> <p>Cutting template included in the set.</p> 	<p>M31861000</p>	<p>11.0</p>	<p>12</p>

INSERT WASHBASINS

	Article No.	Weight kg	Number of pcs. per pallet
 <p>NOVA TOP insert washbasin with tap hole, with overflow 60 x 48 cm</p> <p>Cutting template included in the set.</p> 	1527000	8.5	12K
 <p>PRIMO insert washbasin with tap hole with overflow 56 x 46 cm</p> <p>Cutting template included in the set.</p>  <p>PRODUCT AVAILABLE TILL THE END OF STOCK</p>	K81656000	10.0	14K

○ Product available with Reflex Kolo coating

INSERT WASHBASINS

	Article No.	Weight kg	Number of pcs. per pallet
 <p>NOVA insert washbasin with tap hole, with overflow 56 x 48 cm</p> <p>Cutting template included in the set.</p>	21856000	9.0	16K
 <p>VERONE insert washbasin with tap hole, with overflow 48.5 x 48.5 cm</p> <p>Cutting template included in the set.</p>	1585000	7.5	12K