

# BATHROOM WITHOUT BARRIERS



## Washbasin, barrier-free

**55 x 55 cm**, with tap hole, with overflow

**55 x 55 cm**, with tap hole, without overflow

**65 x 55 cm**, with tap hole, with overflow

**65 x 55 cm**, with tap hole, without overflow

Mounted on bolts.

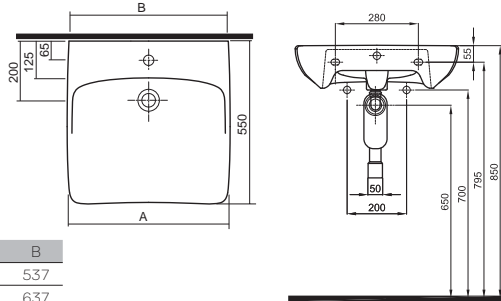
It is recommended to combine with Viega concealed siphon and drain strainer.

## Viega concealed siphon

chrome

## Viega drain strainer

steel



	A	B
M38155/M38455	550	537
M38165/M38465	655	637

Article No.

Weight  
kg

Number of  
pcs. per pallet

**M38155000**

15.0

20

**M38455000**

15.0

20

**M38165000**

18.0

16

**M38465000**

18.0

16

**703240000**

2.0

1

**703356000**

1.0

1



## WC pack, barrier-free

consists of:

## Floor standing close-coupled pan

with horizontal outflow, height: 46 cm

**Oval cistern** 6/3 l with side supply

**Oval cistern** 6/3 l with bottom supply

**Rectangular cistern** 6/3 l with side supply

**Rectangular cistern** 6/3 l with bottom supply

Can be combined with toilet seat 60114000 or seat ring M30102000.

**M33400000**

22.0

8

**M34010000**

11.0

36

**M34012000**

11.0

36

**M34011000**

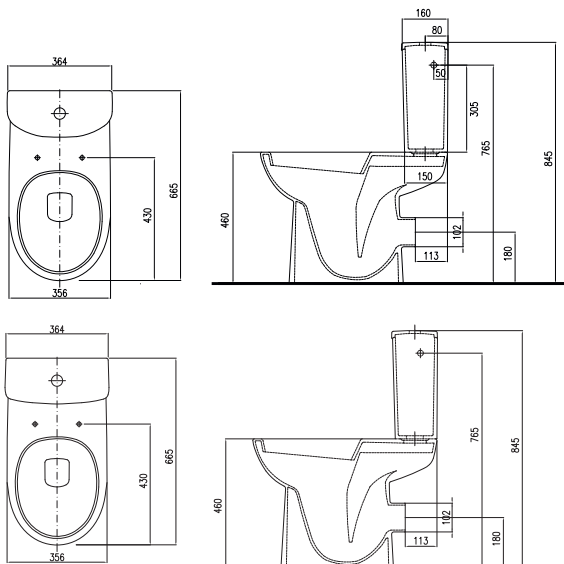
11.0

36



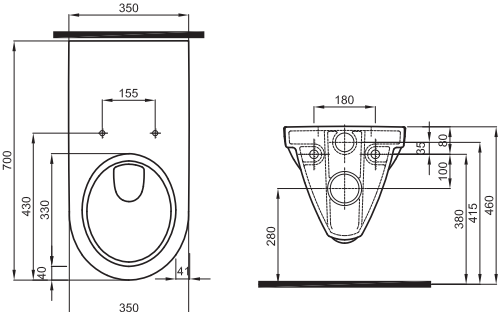



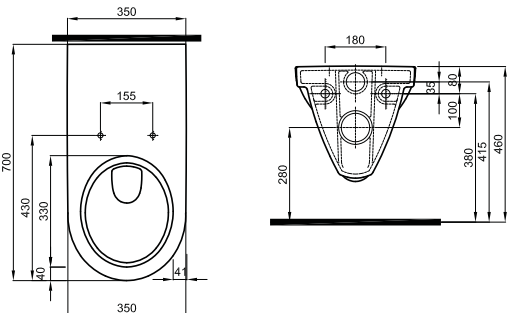



**M34013000**

11.0

36



# BATHROOM WITHOUT BARRIERS

	Article No.	Weight kg	Number of pcs. per pallet
 <p><b>Wall hung pan, barrier-free</b> length: 70 cm</p> <p>Can be combined with toilet seat 60114000 or seat ring M30102000.</p>  <p><b>Outflow pipe 40 cm, necessary for installing wall hung pan</b></p> 	<p><b>M33500000</b></p> <p><b>312664000</b></p>	<p>21.0</p> <p>-</p>	<p>16</p> <p>1</p>
 <p><b>Wall hung Rimfree pan, barrier-free</b> length: 70 cm without an inner rim</p> <p>Can be combined with toilet seat 60114000 or seat ring M30102000.</p>  <p><b>Outflow pipe 40 cm, necessary for installing wall hung pan</b></p>  	<p><b>M33520000</b></p> <p><b>312664000</b></p>	<p>23.0</p> <p>-</p>	<p>16</p> <p>1</p>
 <p><b>Seat ring, barrier-free</b> made of Duroplast, specially reinforced metal hinges</p> <p>Seat rings packed in carton boxes at 6 pcs.</p>	<p><b>M30102000</b></p>	<p>-</p>	<p>144</p>
  <p><b>Toilet seat with antibacterial coating barrier-free</b> made of Duroplast, specially reinforced metal hinges</p> <p>Toilet seats packed in carton boxes at 5 pcs.</p>	<p><b>60114000</b></p>	<p>-</p>	<p>5</p>