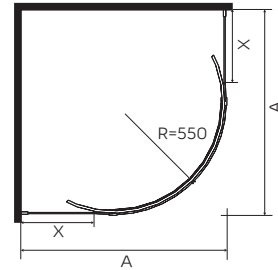
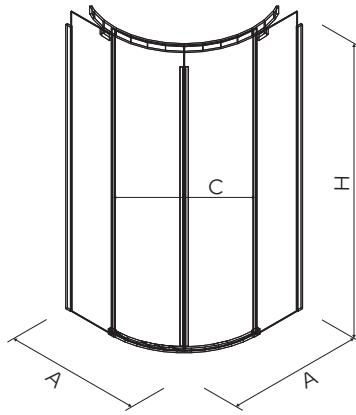


# S 600

Series available with **GlasPlus** coating

## Half-round shower enclosure 90 x 90 cm\* and 100 x 100 cm\*, sliding doors.



	X
JKPG90	345
JKPG10	450

Article No.	Description		A Adjustment range [mm]*	C Entrance width [mm]	H Height [mm]	Weight kg	Number of pcs. per pallet
	Glass type	Profile colour					
<b>JKPG90222001</b>	transparent glass	○ silver mat	875-895	605	2000	50.0	1
<b>JKPG90222003</b>	transparent glass	○ silver glossy	875-895	605	2000	50.0	1
<b>JKPG10222001</b>	transparent glass	○ silver mat	975-995	605	2000	56.0	1
<b>JKPG10222003</b>	transparent glass	○ silver glossy	975-995	605	2000	56.0	1

### Recommended with the following shower trays:

#### **JKPG90:**

TERRA XBN1790  
PACYFIK XBN0790

#### **JKPG10:**

PACYFIC XBN0710

Can be combined with other KOLO shower trays from the table "Sets of shower enclosure and trays".

**ATTENTION!** The real dimension of the shower enclosure is defined by the adjustment range.

○ Product available with GlasPlus coating ONLY.

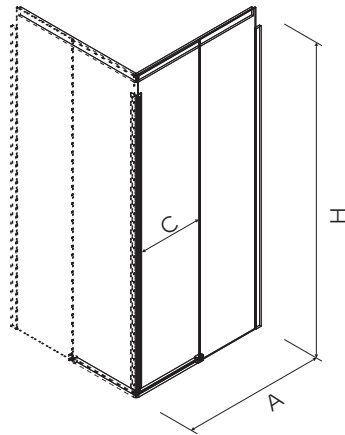
\*The maximum possible width of the shower enclosure.

In case of mounting the shower enclosure directly on the floor, boundaries required for installation are given on the first page of the manual.

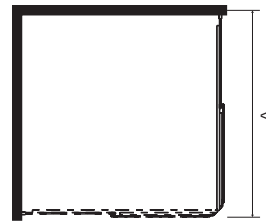
# S 600

Series available with **GlasPlus** coating

## Square-corner shower enclosure 90 x 90 cm\* and 100 x 100 cm\*, sliding doors.



**ATTENTION!**  
The complete enclosure consists of 2 elements  
**LEFT AND RIGHT SIDE**



Article No.	Description		A Adjustment range [mm]*	C Entrance width [mm]	H Height [mm]	Weight kg	Number of pcs. per pallet
	Glass type	Profile colour					
<b>JKDK90222001L</b>	transparent glass	○ silver mat	885-905	500	2000	62.0	1
<b>JKDK90222001R</b>	transparent glass	○ silver mat	885-905	500	2000	62.0	1
<b>JKDK90222003L</b>	transparent glass	○ silver glossy	885-905	500	2000	62.0	1
<b>JKDK90222003R</b>	transparent glass	○ silver glossy	885-905	500	2000	62.0	1
<b>JKDK10222001L</b>	transparent glass	○ silver mat	985-1005	575	2000	68.0	1
<b>JKDK10222001R</b>	transparent glass	○ silver mat	985-1005	575	2000	68.0	1
<b>JKDK10222003L</b>	transparent glass	○ silver glossy	985-1005	575	2000	68.0	1
<b>JKDK10222003R</b>	transparent glass	○ silver glossy	985-1005	575	2000	68.0	1

Can be combined with profile or without bottom profile

### Recommended with the following shower trays:

#### **JKDK90:**

TERRA                      XBK1790  
PACYFIK                    XBK0790

#### **JKDK10:**

TERRA                      XBK1710  
PACYFIK                    XBK0710

Can be combined with other KOLO shower trays from the table "Sets of shower enclosure and trays".

**ATTENTION!** The real dimension of the shower enclosure is defined by the adjustment range.

○ Product available with GlasPlus coating ONLY.

\*The maximum possible width of the shower enclosure.

In case of mounting the shower enclosure directly on the floor, boundaries required for installation are given on the first page of the manual.

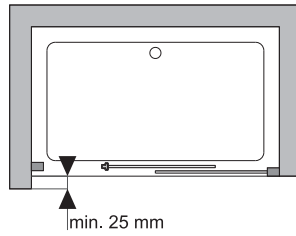
# S 600

Series available with **GlasPlus** coating

**Sliding doors to the niche 120 cm\* and 140 cm\* left- and right-side, can be combined with side wall. Fixed element on the left or right side.**



Doors JDDS R (right-side) on the photo



**Depth of niche on the entrance side has to be 25 mm deeper than outer dimension of tray.**

**Right side door**

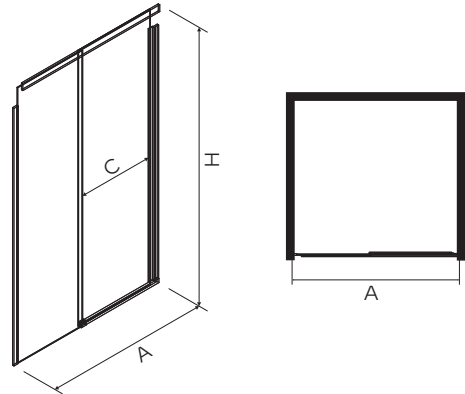
Fixed part from the right side, entrance into the shower enclosure from left side.

**Left side door**

Fixed part from the left side, entrance into the shower enclosure from right side.

**The door with the side panel**

can only be installed from the side with the fixed part. It is impossible to enter the shower enclosure from the corner.



Article No.	Description		A Adjustment range [mm]*	C Entrance width [mm]	H Height [mm]	Weight kg	Number of pcs. per pallet
	Glass type	Profile colour					
<b>JDDS1222001L</b>	transparent glass	○ silver mat	1170-1210	493	2000	40.0	1
<b>JDDS1222001R</b>	transparent glass	○ silver mat	1170-1210	493	2000	40.0	1
<b>JDDS1222003L</b>	transparent glass	○ silver glossy	1170-1210	493	2000	40.0	1
<b>JDDS1222003R</b>	transparent glass	○ silver glossy	1170-1210	493	2000	40.0	1
<b>JDDS1422001L</b>	transparent glass	○ silver mat	1370-1410	593	2000	46.0	1
<b>JDDS1422001R</b>	transparent glass	○ silver mat	1370-1410	593	2000	46.0	1
<b>JDDS1422003L</b>	transparent glass	○ silver glossy	1370-1410	593	2000	46.0	1
<b>JDDS1422003R</b>	transparent glass	○ silver glossy	1370-1410	593	2000	46.0	1

**Recommended with the following shower trays:**

**JDDS12:**

TERRA 120/90	XBP1729
PACYFIK 120/80	XBP0780
PACYFIK 120/90	XBP0729

**JDDS14:**

TERRA 140/90	XBP1749
PACYFIK 140/90	XBP0749

The adjustment range is 10 mm less than length of the arm which is insert under the tile of the shower tray.

**ATTENTION!** The real dimension of the shower enclosure is defined by the adjustment range.

○ Product available with GlasPlus coating ONLY.

\*The maximum possible width of the doors.

In case of mounting the door with side wall directly on the floor, boundaries required for installation are given on the first page of the manual.

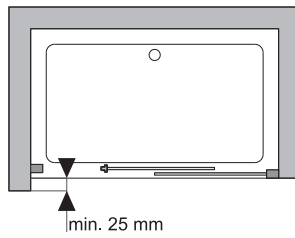
# S 600

Series available with **GlasPlus** coating

**Sliding doors to the niche left- and right-side, can be combined with side wall height 2000 mm\*. Tailor made.**



Doors right-side on the photo



**Depth of niche on the entrance side has to be 25 mm deeper than outer dimension of tray.**

**Right side door**

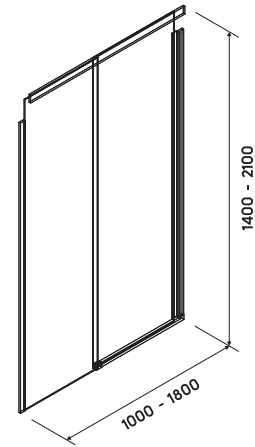
Fixed part from the right side, entrance into the shower enclosure from left side.

**Left side door**

Fixed part from the left side, entrance into the shower enclosure from right side.

**The door with the side panel**

can only be installed from the side with the fixed part. It is impossible to enter the shower enclosure from the corner.



Article No.	Description		Width [mm]	Height [mm]	Number of pcs. per pallet
	Glass type	Profile colour			
<b>JNDSOL222001</b>	transparent glass	○ silver mat	1000-1800	1400-2100	1
<b>JNDSOR222001</b>	transparent glass	○ silver mat	1000-1800	1400-2100	1
<b>JNDSOL222003</b>	transparent glass	○ silver glossy	1000-1800	1400-2100	1
<b>JNDSOR222003</b>	transparent glass	○ silver glossy	1000-1800	1400-2100	1

Can be combined with profile or without bottom profile.

○ Product available with GlasPlus coating ONLY.

\*The maximum possible width of the doors.

In case of mounting the door with side wall directly on the floor, boundaries required for installation are given on the first page of the manual.

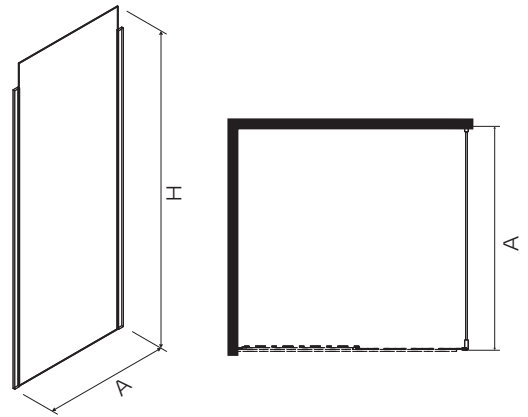
# S 600

Series available with **GlasPlus** coating

## Side wall 80 cm\*, 90 cm\* and 100 cm\*.



**The door with the side panel** can only be installed from the side with the fixed part. It is impossible to enter the shower enclosure from the corner.



Door JDDS R (right-side) with side wall TD on the photo

Article No.	Description		A Adjustment range [mm]*	H Height [mm]	Weight kg	Number of pcs. per pallet
	Glass type	Profile colour				
<b>JSKX80222001</b>	transparent glass	○ silver mat	785-825	2000	18.0	1
<b>JSKX80222003</b>	transparent glass	○ silver glossy	785-825	2000	18.0	1
<b>JSKX90222001</b>	transparent glass	○ silver mat	885-925	2000	20.0	1
<b>JSKX90222003</b>	transparent glass	○ silver glossy	885-925	2000	20.0	1
<b>JSKX10222001</b>	transparent glass	○ silver mat	985-1025	2000	22.0	1
<b>JSKX10222003</b>	transparent glass	○ silver glossy	985-1025	2000	22.0	1

For use as left- or right-side.

Can be completed with square shower enclosures EDS2 and doors DSN2, the fixed element should fit closely to the side wall.

### Recommended with the following shower trays:

#### **JSKX80:**

PACYFIK 100/80

XBP0718

PACYFIK 120/80

XBP0780

#### **JSKX90:**

PACYFIK 90/90

XBK0790

PACYFIK 100/90

XBP0719

PACYFIK 120/90

XBP0729

PACYFIK 140/90

XBP0749

#### **JSKX90:**

TERRA 90/90

XBK1790

TERRA 120/90

XBP1729

TERRA 140/90

XBP1749

#### **JSKX10:**

PACYFIK 100/100

XBK0710

TERRA 100/100

XBK1710

**ATTENTION!** The real dimension of the shower enclosure is defined by the adjustment range.

○ Product available with GlasPlus coating ONLY.

\*The maximum possible width of the side wall.

In case of mounting the door with side wall directly on the floor, boundaries required for installation are given on the first page of the manual.