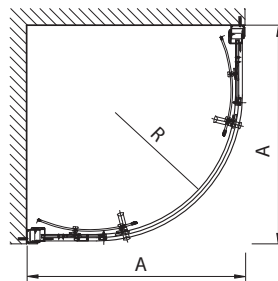
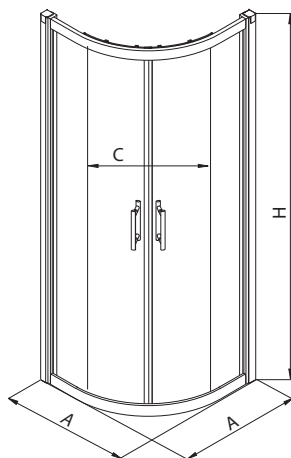


# GEO 6 EASY

Series available with  KOLO coating

## Half-round shower enclosure 80 x 80 cm\* and 90 x 90 cm\*. Sliding doors.



	R
WKPG80	450
WKPG90	550

Article No.	Description		A Adjustment range [mm]*	C Entrance width [mm]	H Height [mm]	Weight kg	Number of pcs. per pallet
	Glass type	Profile colour					
<b>WKPG80222003</b>	transparent glass	○ silver glossy	760-780	420	1900	40,0	***
<b>WKPG90222003</b>	transparent glass	○ silver glossy	860-880	490	1900	44,0	***

### Recommended with the following shower trays:

#### **WKPG80:**

PACYFIK	XBN0780
STANDARD PLUS	XBN1480
STANDARD PLUS	XBN1580
DEEP	XBN0380
SIMPLO	XBN0681
FIRST	XBN1680

#### **WKPG90:**

PACYFIK	XBN0790
STANDARD PLUS	XBN1490
STANDARD PLUS	XBN1590
DEEP	XBN0390
SIMPLO	XBN0691
FIRST	XBN1690
XENO	XBN1390

**ATTENTION!** The real dimension of the shower enclosure is defined by the adjustment range.

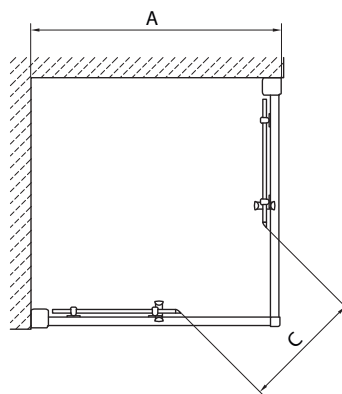
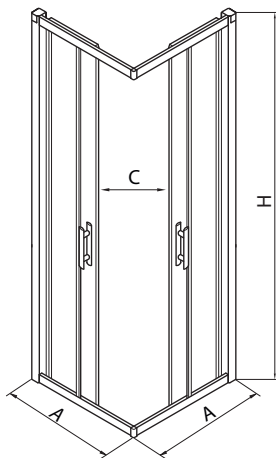
○ Product available with Reflex Kolo coating ONLY.

\* The maximum possible width of the shower enclosure. In case of mounting the shower enclosure directly on the floor, boundaries required for installation are given on the first page of the manual.

# GEO 6 EASY

Series available with  Reflex Kolo coating

## Square-corner shower enclosure 80 x 80 cm\* and 90 x 90 cm\*. Sliding doors.



Article No.	Description		A Adjustment range [mm]*	C Entrance width [mm]	H Height [mm]	Weight kg	Number of pcs. per pallet
	Glass type	Profile colour					
<b>WKDK80222003</b>	transparent glass	○ silver glossy	760-780	380	1900	40,0	***
<b>WKDK90222003</b>	transparent glass	○ silver glossy	860-880	454	1900	44,0	***

### Recommended with the following shower trays:

#### **WKDK80:**

PACYFIK	XBK0780
STANDARD PLUS	XBK1480
STANDARD PLUS	XBK1580
DEEP	XBK0380
SIMPLO	XBK0681
FIRST	XBK1680

#### **WKDK90:**

PACYFIK	XBK0790
STANDARD PLUS	XBK1490
STANDARD PLUS	XBK1590
DEEP	XBK0390
SIMPLO	XBK0691
FIRST	XBK1690
ABELE	XBK1290
XENO	XBK1390

**ATTENTION!** The real dimension of the shower enclosure is defined by the adjustment range.

○ Product available with Reflex Kolo coating ONLY.

\* The maximum possible width of the shower enclosure. In case of mounting the shower enclosure directly on the floor, boundaries required for installation are given on the first page of the manual.