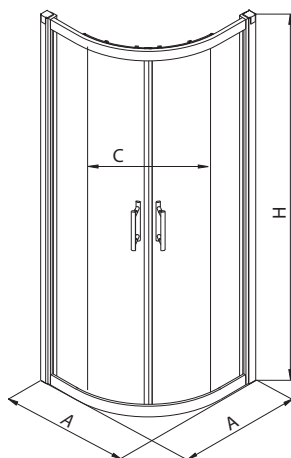


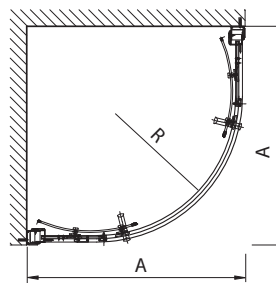
# GEO 6

Series available with  Kolo coating

## Half-round shower enclosure 80 x 80 cm\* and 90 x 90 cm\*. Sliding doors.



**ATTENTION!  
NEW CODES**  
The complete cabin consists of A+B parts (1/2 + 2/2)



	R
GKPG80	450
GKPG90	550

Article No.	Description		A Adjustment range [mm]*	C Entrance width [mm]	H Height [mm]	Weight kg	Number of pcs. per pallet
	Glass type	Profile colour					
<b>GKPG80222003A</b> <b>GKPG80222003B</b>	part 1/2 part 2/2	transparent glass ○ silver glossy	775 - 800	440	1900	29.0 24.0	12
<b>GKPG80205003A</b> <b>GKPG80205003B</b>	part 1/2 part 2/2	PRISMATIC glass silver glossy	775 - 800	440	1900	29.0 24.0	12
<b>GKPG90222003A</b> <b>GKPG90222003B</b>	part 1/2 part 2/2	transparent glass ○ silver glossy	875 - 900	520	1900	31.0 25.0	12
<b>GKPG90205003A</b> <b>GKPG90205003B</b>	part 1/2 part 2/2	PRISMATIC glass silver glossy	875 - 900	520	1900	31.0 25.0	12

### Recommended with the following shower trays:

#### **GKPG80:**

PACYFIK	XBN0780
AKCENT	XBN0480
STANDARD PLUS	XBN1480
STANDARD PLUS	XBN1580
DEEP	XBN0380
SIMPLO	XBN0681
FIRST	XBN1680

#### **GKPG90:**

PACYFIK	XBN0790
AKCENT	XBN0490
STANDARD PLUS	XBN1490
STANDARD PLUS	XBN1590
DEEP	XBN0390
SIMPLO	XBN0691
FIRST	XBN1690
XENO	XBN1390

**ATTENTION!** The real dimension of the shower enclosure is defined by the adjustment range.

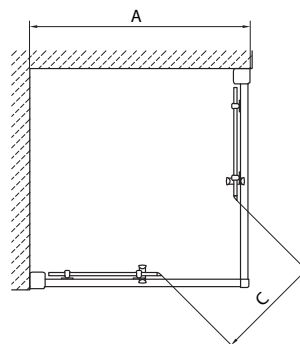
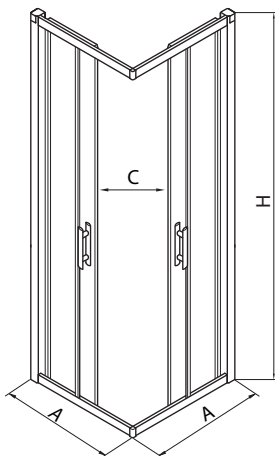
○ Product available with Reflex Kolo coating.

\*The maximum possible width of the shower enclosure. In case of mounting the shower enclosure directly on the floor, boundaries required for installation are given on the first page of the manual.

# GEO 6

Series available with  KOLO coating

## Square-corner shower enclosure 80 x 80 cm\* and 90 x 90 cm\*. Sliding doors.



### ATTENTION! NEW CODES

The complete cabin consists of A+B parts  
(1/2 + 2/2)

Article No.		Description		A Adjustment range [mm]*	C Entrance width [mm]	H Height [mm]	Weight kg	Number of pcs. per pallet
		Glass type	Profile colour					
<b>GKDK80222003A</b>	<b>part 1/2</b>	transparent glass	silver glossy	775-800	360	1900	20.0	12
<b>GKDK80222003B</b>	<b>part 2/2</b>							
<b>GKDK90222003A</b>	<b>part 1/2</b>	transparent glass	silver glossy	875-900	455	1900	24.0	12
<b>GKDK90222003B</b>	<b>part 2/2</b>							

### Recommended with the following shower trays:

#### **GKDK80:**

PACYFIK	XBK0780
STANDARD PLUS	XBK1480
STANDARD PLUS	XBK1580
DEEP	XBK0380
SIMPLO	XBK0681
FIRST	XBK1680

#### **GKDK90:**

PACYFIK	XBK0790
STANDARD PLUS	XBK1490
STANDARD PLUS	XBK1590
DEEP	XBK0390
SIMPLO	XBK0691
FIRST	XBK1690
ABELE	XBK1290
XENO	XBK1390

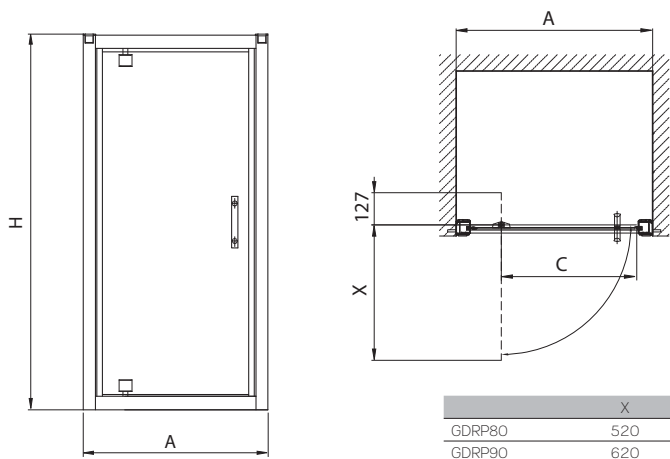
**ATTENTION!** The real dimension of the shower enclosure is defined by the adjustment range.

\*The maximum possible width of the shower enclosure. In case of mounting the shower enclosure directly on the floor, boundaries required for installation are given on the first page of the manual.

# GEO 6

Series available with  Kolo coating

## Pivot door to the niche 80 cm\* and 90 cm\*. Can be combined with Geo 6 side wall.



Pivot door and side wall with towel rail on the photo.

Article No.	Description		A Adjustment range [mm]*	C Entrance width [mm]	H Height [mm]	Weight kg	Number of pcs. per pallet
	Glass type	Profile colour					
<b>GDRP80222003</b>	transparent glass	○ silver glossy	750 - 800	552	1900	28.0	12
<b>GDRP80205003</b>	PRISMATIC glass	silver glossy	750 - 800	552	1900	28.0	12
<b>GDRP90222003</b>	transparent glass	○ silver glossy	850 - 900	646	1900	31.0	12
<b>GDRP90205003</b>	PRISMATIC glass	silver glossy	850 - 900	646	1900	31.0	12
<b>In addition A60600CP</b>	Extension profile 30 mm	silver glossy	-	-	-	-	-

Can be mounted as a left or right side entrance.

### Recommended with the following shower trays:

#### **GDRP80:**

PACYFIK	XBK0780
STANDARD PLUS	XBK1480
STANDARD PLUS	XBK1580
DEEP	XBK0380
SIMPLO	XBK0681
FIRST	XBK1680

#### **GDRP90:**

PACYFIK	XBK0790
STANDARD PLUS	XBK1490
STANDARD PLUS	XBK1590
DEEP	XBK0390
SIMPLO	XBK0691
FIRST	XBK1690
ABELE	XBK1290
XENO	XBK1390

**ATTENTION!** The real dimension of the shower enclosure is defined by the adjustment range.

○ Product available with Reflex Kolo coating.

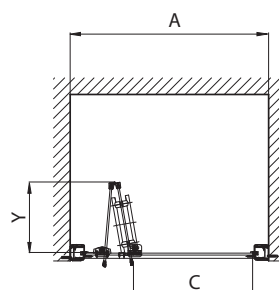
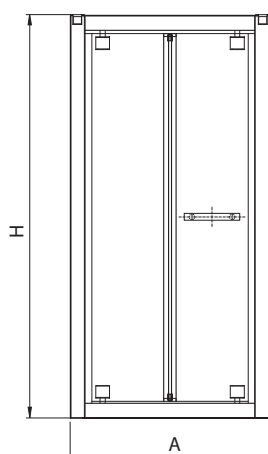
\*The maximum possible width of the doors.

In case of mounting the door with side wall directly on the floor, boundaries required for installation are given on the first page of the manual.

# GEO 6

Series available with  Kolo coating

**Bifold doors to the niche 80 cm\* and 90 cm\*. Can be combined with Geo 6 side wall.**



	Y
GDRB80	275
GDRB90	324

Article No.	Description		A Adjustment range [mm]*	C Entrance width [mm]	H Height [mm]	Weight kg	Number of pcs. per pallet
	Glass type	Profile colour					
<b>GDRB80222003</b>	transparent glass	○ silver glossy	750 - 800	465	1900	31.0	12
<b>GDRB80205003</b>	PRISMATIC glass	silver glossy	750 - 800	465	1900	31.0	12
<b>GDRB90222003</b>	transparent glass	○ silver glossy	850-900	551	1900	34.0	12
<b>GDRB90205003</b>	PRISMATIC glass	silver glossy	850-900	551	1900	34.0	12
<b>In addition A60600CP</b>	Extension profile 30 mm	silver glossy	-	-	-	-	-

Can be mounted as a left or right side entrance.

## Recommended with the following shower trays:

### **GDRB80:**

PACYFIK	XBK0780
STANDARD PLUS	XBK1480
STANDARD PLUS	XBK1580
DEEP	XBK0380
SIMPLO	XBK0681
FIRST	XBK1680

### **GDRB90:**

PACYFIK	XBK0790
STANDARD PLUS	XBK1490
STANDARD PLUS	XBK1590
DEEP	XBK0390
SIMPLO	XBK0691
FIRST	XBK1690
ABELE	XBK1290
XENO	XBK1390

**ATTENTION!** The real dimension of the shower enclosure is defined by the adjustment range.

○ Product available with Reflex Kolo coating.

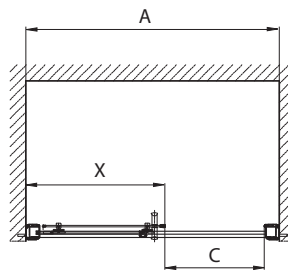
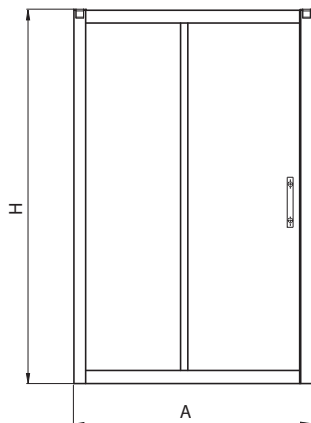
\*The maximum possible width of the doors.

In case of mounting the door with side wall directly on the floor, boundaries required for installation are given on the first page of the manual.

# GEO 6

Series available with  Kolo coating

**Sliding door 100 cm\* and 120 cm\*. Can be combined with Geo 6 side wall.**



	X
GDRS100	525
GDRS120	625

**ATTENTION!  
NEW CODES**  
The complete cabin consists of A+B parts (1/2 + 2/2)

Article No.	Description			A Adjustment range [mm]*	C Entrance width [mm]	H Height [mm]	Weight kg	Number of pcs. per pallet
	Glass type	Profile colour						
<b>GDRS10222003</b>	transparent glass	○ silver glossy		950-1000	375	1900	35.0	12
<b>GDRS10205003</b>	PRISMATIC glass	silver glossy		950-1000	375	1900	35.0	12
<b>GDRS12222003A</b> part 1/2 <b>GDRS12222003B</b> part 2/2	transparent glass	○ silver glossy		1150-1200	475	1900	25.0 20.0	12
<b>GDRS12205003A</b> part 1/2 <b>GDRS12205003B</b> part 2/2	PRISMATIC glass	silver glossy		1150-1200	475	1900	25.0 20.0	12
<b>In addition A60600CP</b>	Extension profile 30 mm	silver glossy		—	—	—	—	—

Can be mounted as a left or right side entrance.

**Recommended with the following shower trays:**

**GDRS10:**

PACYFIK 100/100	XBK0710
PACYFIK 100/80	XBP0718
PACYFIK 100/90	XBP0719

**GDRB12:**

PACYFIK 120/80	XBP0780
PACYFIK 120/90	XBP0729

**ATTENTION!** The real dimension of the shower enclosure is defined by the adjustment range.

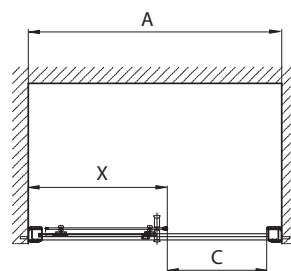
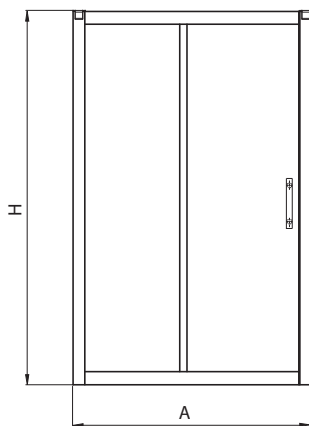
\*The maximum possible width of the doors. In case of mounting the door with side wall directly on the floor, boundaries required for installation are given on the first page of the manual.

○ Product available with Reflex Kolo coating.

# GEO 6

Series available with  Kolo coating

**Sliding two-parts door 110 cm, 140 cm\* and 160 cm\*.**  
**Can be mounted to the niche or combined with Geo 6 side wall.**



**ATTENTION!  
 NEW CODES**  
 The complete cabin consists of A+B parts  
 (1/2 + 2/2)

	X
GDRS110	675
GDRS140	725
GDRS160	825

Article No.	Description		A Adjustment range [mm]*	C Entrance width [mm]	H Height [mm]	Weight kg	Number of pcs. per pallet
	Glass type	Profile colour					
<b>GDRS11222003A</b> <b>GDRS11222003B</b>	part 1/2 part 2/2	transparent glass silver glossy	1050-1100	415	1900	16.0 24.0	12
<b>GDRS14222003A</b> <b>GDRS14222003B</b>	part 1/2 part 2/2	transparent glass silver glossy	1350-1400	565	1900	21.0 29.0	12
<b>GDRS16222003A</b> <b>GDRS16222003B</b>	part 1/2 part 2/2	transparent glass silver glossy	1550-1600	665	1900	24.0 29.0	12
<b>In addition</b> <b>A60600CP</b>		Extension profile 30 mm silver glossy	-	-	-	-	1

Can be mounted as a left or right side entrance.

**Recommended with the following shower trays:**

**GDRS14:**

TERRA	XBP1749
PACYFIK	XBP0749

**ATTENTION!** The real dimension of the shower enclosure is defined by the adjustment range.

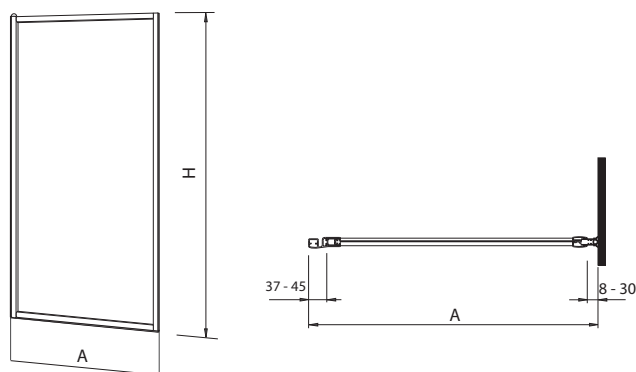
\*The maximum possible width of the doors.

SHOWER ENCLOSURES AND TRAYS

# GEO 6

Series available with  Kolo coating

**Side wall with towel rail 80 cm\* and 90 cm\*.  
Can be combined with Geo 6 sliding door, pivot and bifold doors.**



Article No.	Description		A Adjustment range [mm]*	C Entrance width [mm]	H Height [mm]	Weight kg	Number of pcs. per pallet
	Glass type	Profile colour					
<b>GSKS80222003</b>	transparent glass	○ silver glossy	770-795	-	1900	29.6	12
<b>GSKS80205003</b>	PRISMATIC glass	silver glossy	770-795	-	1900	29.6	12
<b>GSKS90222003</b>	transparent glass	○ silver glossy	870-895	-	1900	33.0	12
<b>GSKS90205003</b>	PRISMATIC glass	silver glossy	870-895	-	1900	33.0	12

**Recommended with the following shower trays:**

**GDRB80:**

PACYFIK	XBK0780
STANDARD PLUS	XBK1480
STANDARD PLUS	XBK1580
DEEP	XBK0380
SIMPLO	XBK0681
FIRST	XBK1680

**GDRB90:**

PACYFIK	XBK0790
STANDARD PLUS	XBK1490
STANDARD PLUS	XBK1590
DEEP	XBK0390
SIMPLO	XBK0691
FIRST	XBK1690
ABELE	XBK1290
XENO	XBK1390

**ATTENTION!** The real dimension of the shower enclosure is defined by the adjustment range.

○ Product available with Reflex Kolo coating.

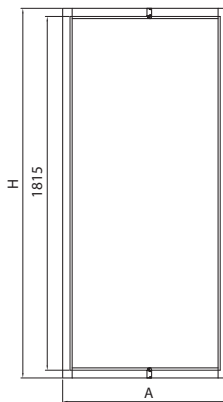
\*The maximum possible width of the side wall.

In case of mounting the door with side wall directly on the floor, boundaries required for installation are given on the first page of the manual.

# GEO 6

Series available with  KOLO coating

**In Line panel for pivot or bifold door 18 cm, 42 cm, 60 cm and 80 cm.  
Can be mounted to the left or right side of the door.**



In line panel with pivot door and side wall on the photo.

Article No.	Description		A Adjustment range [mm]*	C Entrance width [mm]	H Height [mm]	Weight kg	Number of pcs. per pallet
	Glass type	Profile colour					
<b>GSKP18222003</b>	transparent glass	silver glossy	150-200	-	1900	9.5	12
<b>GSKP42222003</b>	transparent glass	silver glossy	390-440	-	1900	18.0	12
<b>GSKP60222003</b>	transparent glass	silver glossy	570-620	-	1900	22.0	12
<b>GSKP80222003</b>	transparent glass	silver glossy	770-820	-	1900	28.5	12

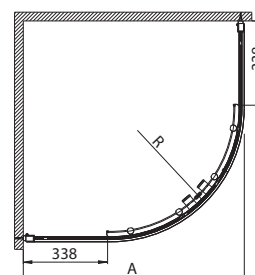
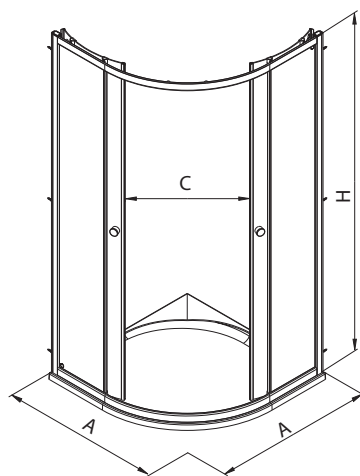
**ATTENTION!** The real dimension of the shower enclosure is defined by the adjustment range.

\*The maximum possible width of the doors.



# FIRST

## Half-round shower enclosure 80 x 80 cm\* and 90 x 90 cm\*, sliding doors.



	R
ZKPG80	450
ZKPG90	550

Article No.	Description		A Adjustment range [mm]*	C Entrance width [mm]	H Height [mm]	Weight kg	Number of pcs. per pallet
	Glass type	Profile colour					
<b>ZKPG80222003</b>	transparent glass	silver glossy	775-795	440	1900	31.0	12
<b>ZKPG80214003</b>	satin glass	silver glossy	775-795	440	1900	31.0	12
<b>ZKPG90222003</b>	transparent glass	silver glossy	875-895	570	1900	34.0	12
<b>ZKPG90214003</b>	satin glass	silver glossy	875-895	570	1900	34.0	12

### Recommended with the following shower trays:

#### **ZKPG80:**

STANDARD PLUS	XBN1480
STANDARD PLUS	XBN1580
SIMPLO	XBN0681
FIRST	XBN1680

#### **ZKPG90:**

STANDARD PLUS	XBN1490
STANDARD PLUS	XBN1590
SIMPLO	XBN0691
FIRST	XBN1690

Can be combined with other KOLO shower trays from the table "Sets of shower enclosures and trays".

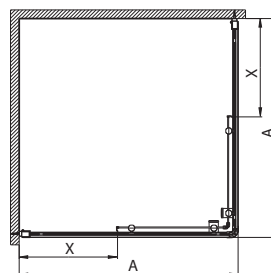
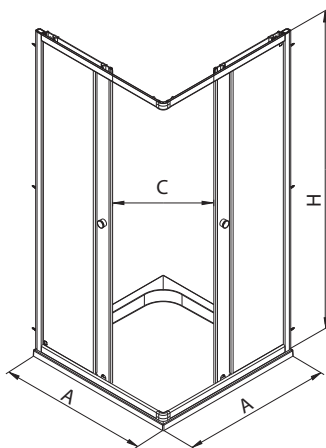
**ATTENTION!** The real dimension of the shower enclosure is defined by the adjustment range.

\*The maximum possible width of the shower enclosure.

In case of mounting the shower enclosure directly on the floor, boundaries required for installation are given on the first page of the manual.

# FIRST

## Square-corner shower enclosure 80 x 80 cm\* and 90 x 90 cm\*, sliding doors.



	X
ZKDK80	348
ZKDK90	398

Article No.	Description		A Adjustment range [mm]*	C Entrance width [mm]	H Height [mm]	Weight kg	Number of pcs. per pallet
	Glass type	Profile colour					
<b>ZKDK80222003</b>	transparent glass	silver glossy	775-795	420	1900	34.0	12
<b>ZKDK80214003</b>	satin glass	silver glossy	775-795	420	1900	34.0	12
<b>ZKDK90222003</b>	transparent glass	silver glossy	875-895	490	1900	38.0	12
<b>ZKDK90214003</b>	satin glass	silver glossy	875-895	490	1900	38.0	12

### Recommended with the following shower trays:

#### **ZKDK80:**

STANDARD PLUS	XBK1480
STANDARD PLUS	XBK1580
SIMPLO	XBK0681
FIRST	XBK1680

#### **ZKDK90:**

STANDARD PLUS	XBK1490
STANDARD PLUS	XBK1590
SIMPLO	XBK0691
FIRST	XBK1690

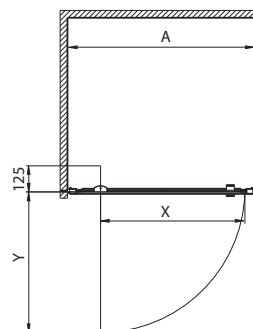
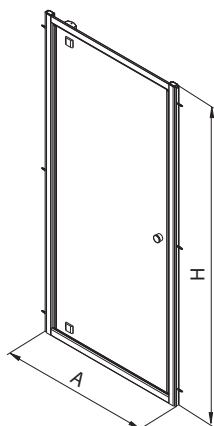
Can be combined with other KOLO shower trays from the table "Sets of shower enclosures and trays".

**ATTENTION!** The real dimension of the shower enclosure is defined by the adjustment range.

\*The maximum possible width of the shower enclosure.  
In case of mounting the shower enclosure directly on the floor, boundaries required for installation are given on the first page of the manual.

# FIRST

**Pivot door 80 cm\* and 90 cm\*. Can be mounted to the niche or combined with First side wall.**



	X	Y
ZDRP80	600	574
ZDRP90	700	674

Side wall and pivot door on the photo.

Article No.	Description		A Adjustment range [mm]*	C Entrance width [mm]	H Height [mm]	Weight kg	Number of pcs. per pallet
	Glass type	Profile colour					
<b>ZDRP80222003</b>	transparent glass	silver glossy	780-820 780-800**	600	1900	20.0	11
<b>ZDRP80214003</b>	satin glass	silver glossy	780-820 780-800**	600	1900	20.0	11
<b>ZDRP90222003</b>	transparent glass	silver glossy	880-920 880-900**	700	1900	22.0	11
<b>ZDRP90214003</b>	satin glass	silver glossy	880-920 880-900**	700	1900	22.0	11

Can be mounted as a left or right side entrance.

\*\*In case of assembling the door with the wall.

### Recommended with the following shower trays:

#### ZDRP80:

PACYFIK	XBK0780
STANDARD PLUS	XBK1480
STANDARD PLUS	XBK1580
DEEP	XBK0380
SIMPLO	XBK0681
FIRST	XBK1680

#### ZDRP90:

PACYFIK	XBK0790
STANDARD PLUS	XBK1490
STANDARD PLUS	XBK1590
DEEP	XBK0390
SIMPLO	XBK0691
FIRST	XBK1690
ABELE	XBK1290
XENO	XBK1390

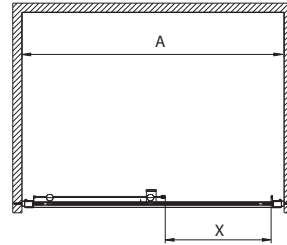
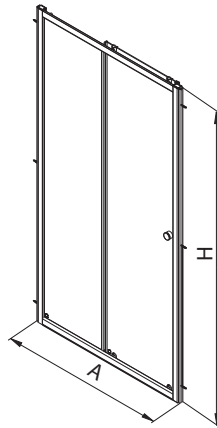
**ATTENTION!** The real dimension of the shower enclosure is defined by the adjustment range.

\*The maximum possible width of the doors.

In case of mounting the door with side wall directly on the floor, boundaries required for installation are given on the first page of the manual.

# FIRST

**Sliding doors two-parts 100 cm\*, 120 cm\*. Can be mounted to the niche or combined with First side wall.**



	X
ZDDS80	400
ZDDS90	500

Article No.	Description		A Adjustment range [mm]*	C Entrance width [mm]	H Height [mm]	Weight kg	Number of pcs. per pallet
	Glass type	Profile colour					
<b>ZDDS10222003</b>	transparent glass	silver glossy	980-1020 980-1000**	420	1900	25.0	12
<b>ZDDS10214003</b>	satin glass	silver glossy	980-1020 980-1000**	420	1900	25.0	12
<b>ZDDS12222003</b>	transparent glass	silver glossy	1180-1220 1180-1200*	490	1900	29.0	12
<b>ZDDS12214003</b>	satin glass	silver glossy	1180-1220 1180-1200*	490	1900	29.0	12

Can be mounted as a left or right side entrance.

\*\*In case of assembling the door with the wall.

**Recommended with the following shower trays:**

**ZDDS10:**

PACYFIK 100/100	XBK0710
PACYFIK 100/80	XBP0718
PACYFIK 100/90	XBP0719

**ZDDS12:**

PACYFIK 120/80	XBP0780
PACYFIK 120/90	XBP0729

**ATTENTION!** The real dimension of the shower enclosure is defined by the adjustment range.

\*The maximum possible width of the doors.  
In case of mounting the door with side wall directly on the floor, boundaries required for installation are given on the first page of the manual.