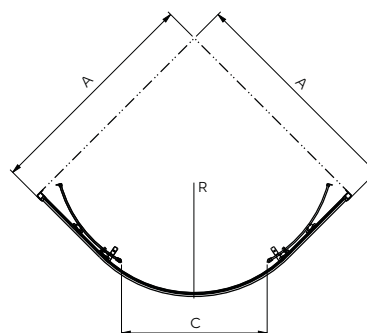
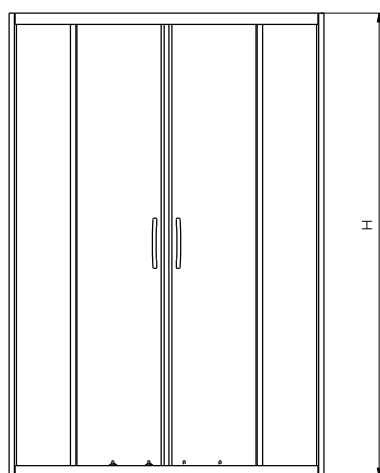


# REKORD

Series available with  KOLO coating

## Half-round shower enclosure 80 x 80 cm\* and 90 x 90 cm\*. Sliding doors.



	R
PKPG80	450
PKPG90	550

Article No.	Description		A Adjustment range [mm]*	C Entrance width [mm]	H Height [mm]	Weight kg	Number of pcs. per pallet
	Glass type	Profile colour					
<b>PKPG80222003</b>	transparent glass	silver glossy	790-810	430	1850	31.0	***
<b>PKPG90222003</b>	transparent glass	silver glossy	890-910	500	1850	35.0	***

### Recommended with the following shower trays:

#### **PKPG80:**

STANDARD PLUS	XBN1480
STANDARD PLUS	XBN1580
SIMPLO	XBN0681
FIRST	XBN1680

#### **PKPG90:**

STANDARD PLUS	XBN1490
STANDARD PLUS	XBN1590
SIMPLO	XBN0691
FIRST	XBN1690

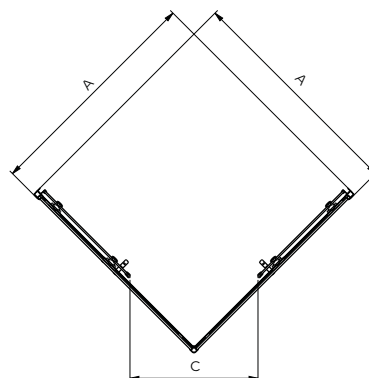
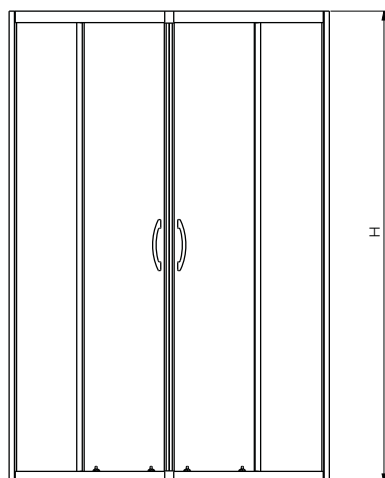
**ATTENTION!** The real dimension of the shower enclosure is defined by the adjustment range.

\* The maximum possible width of the shower enclosure. In case of mounting the shower enclosure directly on the floor, boundaries required for installation are given on the first page of the manual.

# REKORD

Series available with  KOLO coating

## Square-corner shower enclosure 80 x 80 cm\* and 90 x 90 cm\*. Sliding doors.



Article No.	Description		A Adjustment range [mm]*	C Entrance width [mm]	H Height [mm]	Weight kg	Number of pcs. per pallet
	Glass type	Profile colour					
<b>PKDK80222003</b>	transparent glass	silver glossy	790-810	430	1850	31.0	***
<b>PKDK90222003</b>	transparent glass	silver glossy	890-910	500	1850	35.0	***

### Recommended with the following shower trays:

#### **PKDK80:**

STANDARD PLUS	XBK1480
STANDARD PLUS	XBK1580
SIMPLO	XBK0681
FIRST	XBK1680

#### **PKDK90:**

STANDARD PLUS	XBK1490
STANDARD PLUS	XBK1590
SIMPLO	XBK0691
FIRST	XBK1690

**ATTENTION!** The real dimension of the shower enclosure is defined by the adjustment range.

\* The maximum possible width of the shower enclosure. In case of mounting the shower enclosure directly on the floor, boundaries required for installation are given on the first page of the manual.