


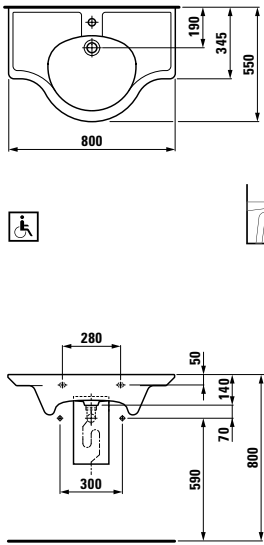
libertyline/rehab








Barrier-free according to DIN standards and ÖNORM (Austrian Standards Institute). The 18024 and 18025 standards define the pre-conditions that bathrooms and toilets must fulfil in order to receive the “DIN barrier-free” certificate. The liberty line range has been awarded the “DIN barrier-free” standard and includes a wheelchair-compatible washbasin without overflow hole and with a concealed siphon. The WC, which must be at least 5 cm higher, has a projection of 70 cm and can be mounted as a wall-hung WC using existing connections. rehab is another wheelchair-compatible washbasin made by LAUFEN which is available without overflow hole.

81147.8  **liberty line**
Washbasin without overflow hole



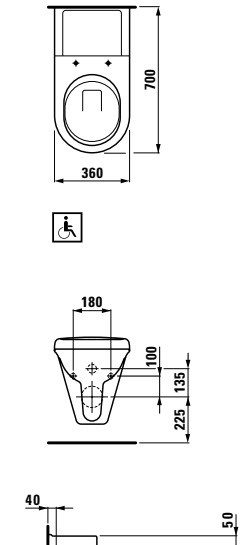
 


Options:
.000 one tap hole at centre
.109 without tap hole


82147.0  **liberty line**
Wall-hung WC. Washdown

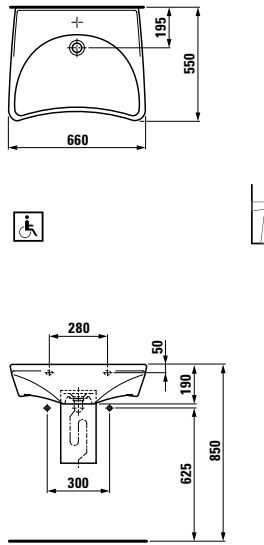
89147.0
Seat only, removable



89247.0
Seat and cover, removable





81060.3  **rehab**
Washbasin without overflow hole



Options:
.000 without tap hole
.104 one tap hole at centre