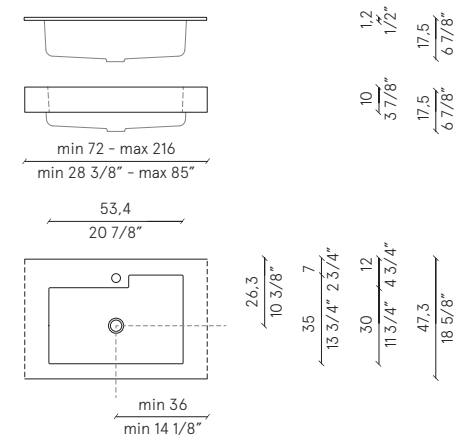




design Michele Marcon

INFINITY



finiture | finishes | finitions | Oberflächen | отделки  
 sintetici opachi | matt compounds | synthétiques mates | Matt Kunststoff | матовые соединения

- milltek solid
- milltek gel

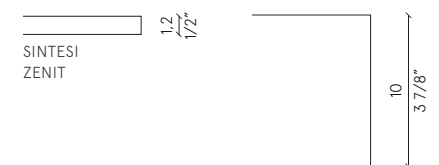
sintetici lucidi | glossy synthetics | synthétiques brilliants | glänzende Synthetische  
 Глянцевые соединения

- milltek gel

due vasche | two basins | deux vasques | zwei Becken | две раковины  
 L top | W top | L plan | B Platte | Ш столешница

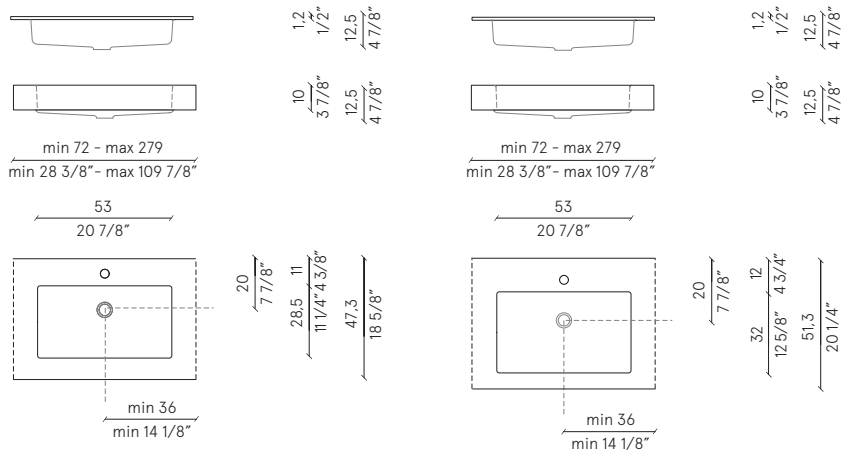
Infinity + Infinity = min 144 cm | 56 3/4"

top | plan | Platte | столешница  
 sp. | th. | sp. | Di. | тол.





LAYER 01 | LAYER 02



finiture | finishes | finitions | Oberflächen | отделки  
 sinteticici opachi e lucidi | matt and glossy synthetics | synthétiques mates et brillantes | Matt und glänzende Synthetische | матовые лакировки и брашированные глянцевые лакировки

milltek  
 solid light

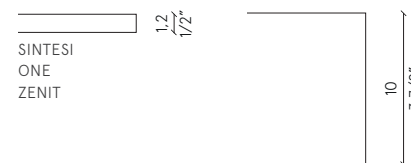
top laminato, lavabo sintetico opaco | laminated top, matt synthetic washbasin  
 plan mélamin, vasque synthétique mate | Platt aus Laminat, Waschbecken auf matt Synthetisch | столешница из ламината, раковина из матовых соединения

ares fango ares argilla

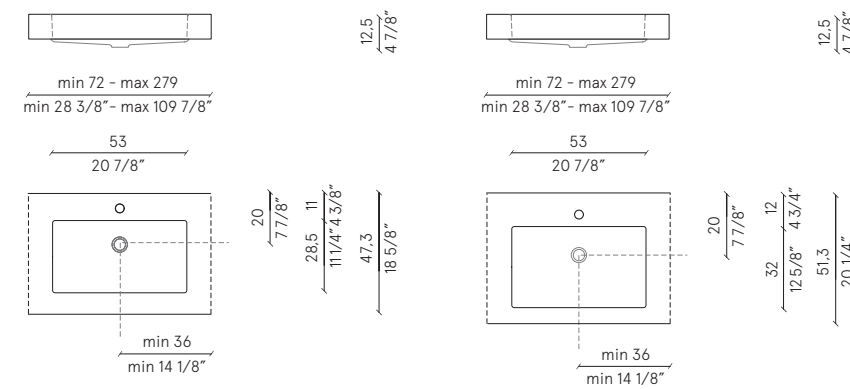
due vasche | two basins | deux vasques | zwei Becken | две раковины  
 L top | W top | L plan | B Platte | Ш столешница

Layer 01 + Layer 01 = min 144 cm | 56 3/4"  
 Layer 02 + Layer 02 = min 144 cm | 56 3/4"

top | plan | Platte | столешница  
 sp. | th. | sp. | Di. | тол.



LAYER 01 | LAYER 02



finiture | finishes | finitions | Oberflächen | отделки  
 sinteticici opachi e lucidi | matt and glossy synthetics | synthétiques mates et brillantes | Matt und glänzende Synthetische | матовые лакировки и брашированные глянцевые лакировки

milltek  
 solid light

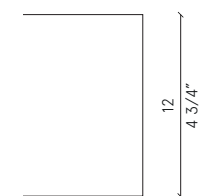
top laminato, lavabo sintetico opaco | laminated top, matt synthetic washbasin  
 plan mélamin, vasque synthétique mate | Platt aus Laminat, Waschbecken auf matt Synthetisch | столешница из ламината, раковина из матовых соединения

ares fango ares argilla

due vasche | two basins | deux vasques | zwei Becken | две раковины  
 L top | W top | L plan | B Platte | Ш столешница

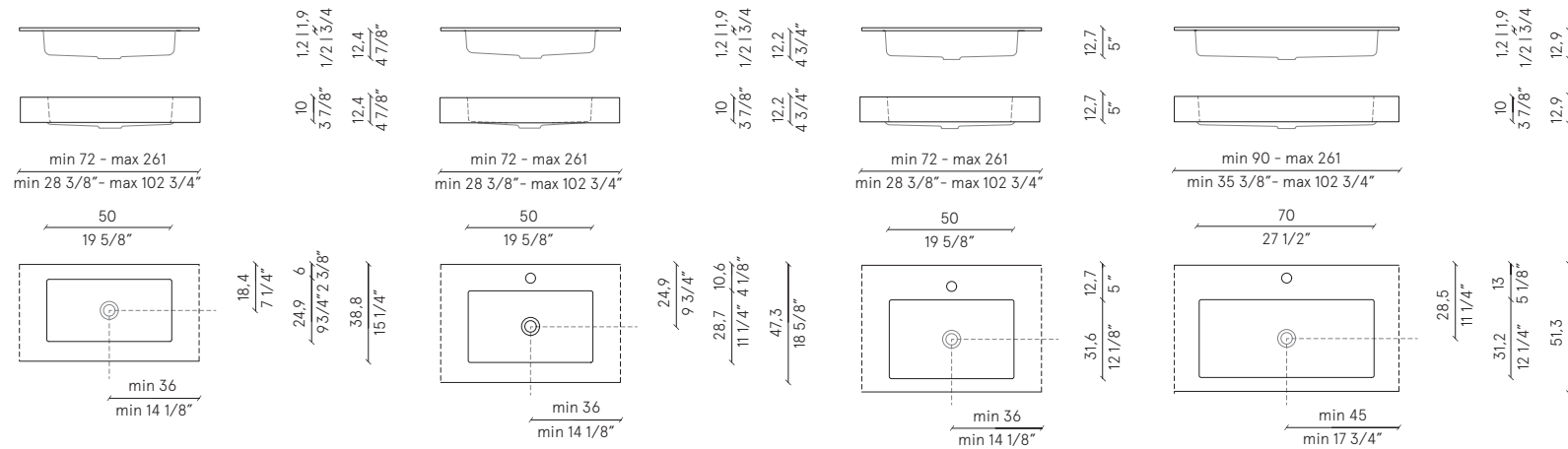
Layer 01 + Layer 01 = min 144 cm | 56 3/4"  
 Layer 02 + Layer 02 = min 144 cm | 56 3/4"

top | plan | Platte | столешница  
 sp. | th. | sp. | Di. | тол.





STAGE 01 | STAGE 02 | STAGE 04 | STAGE 06



finiture | finishes | finitions | Oberflächen | отделки  
 sintetici opachi | matt compounds | synthétiques mates | Matt Kunststoff | матовые соединения

- milltek solid
- milltek gel
- milltek solid**

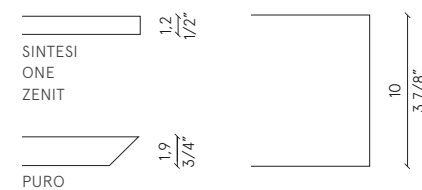
sintetici lucidi | glossy synthetics | synthétiques brilliants | glänzende Synthetische  
 Глянцевые соединения

- milltek gel

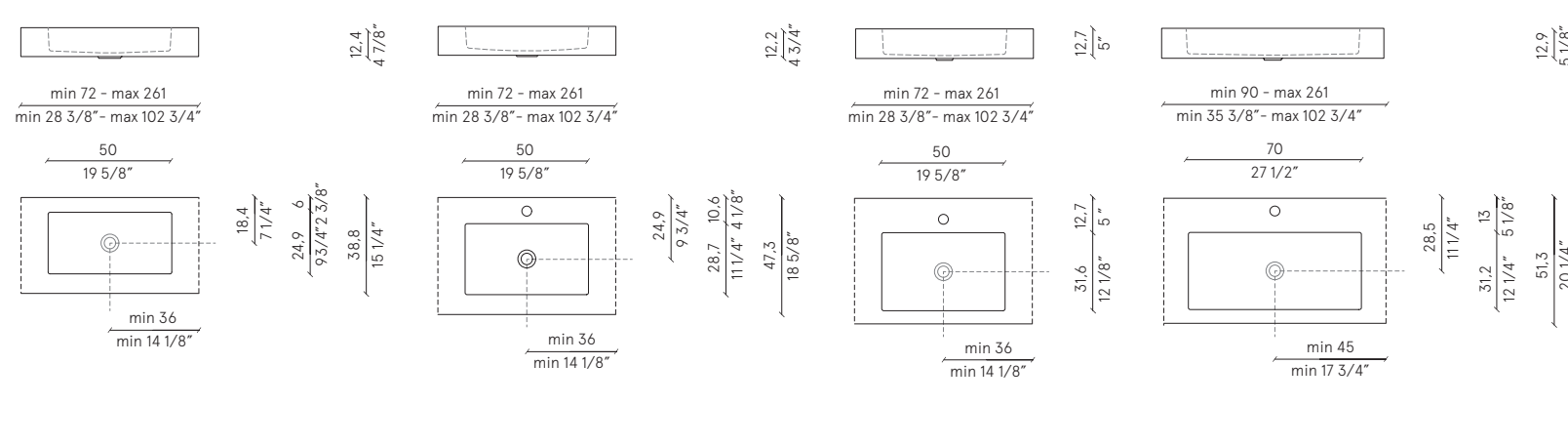
due vasche | two basins | deux vasques | zwei Becken | две раковины  
 L top | W top | L plan | B Platte | Ш столешница

Stage 01 + Stage 01 = min 144 cm | 56 3/4"  
 Stage 02 + Stage 02 = min 144 cm | 56 3/4"  
 Stage 04 + Stage 04 = min 144 cm | 56 3/4"  
 Stage 06 + Stage 06 = min 180 cm | 70 7/8"

top | plan | Platte | столешница  
 sp. l.th. | sp. | Di. | тол.



STAGE 01 | STAGE 02 | STAGE 04 | STAGE 06



finiture | finishes | finitions | Oberflächen | отделки  
 sintetici opachi | matt compounds | synthétiques mates | Matt Kunststoff | матовые соединения

- milltek solid
- milltek gel
- milltek solid**

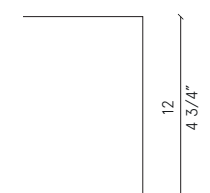
sintetici lucidi | glossy synthetics | synthétiques brilliants | glänzende Synthetische  
 Глянцевые соединения

- milltek gel

due vasche | two basins | deux vasques | zwei Becken | две раковины  
 L top | W top | L plan | B Platte | Ш столешница

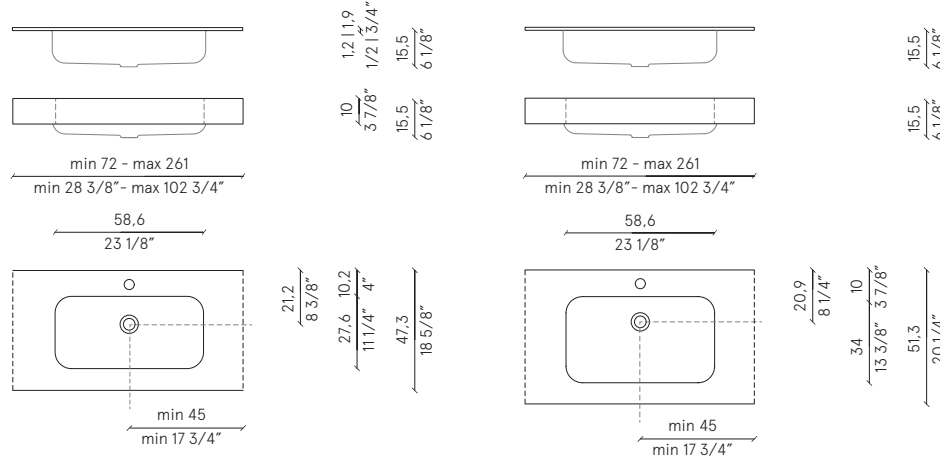
Stage 01 + Stage 01 = min 144 cm | 56 3/4"  
 Stage 02 + Stage 02 = min 144 cm | 56 3/4"  
 Stage 04 + Stage 04 = min 144 cm | 56 3/4"  
 Stage 06 + Stage 06 = min 180 cm | 70 7/8"

top | plan | Platte | столешница  
 sp. l.th. | sp. | Di. | тол.





NEAT 01 | NEAT 02



finiture | finishes | finitions | Oberflächen | отделки  
 sintetici opraci | matt compounds | synthétiques mates | Matt Kunststoff | матовые соединения

- milltek solid
- milltek gel

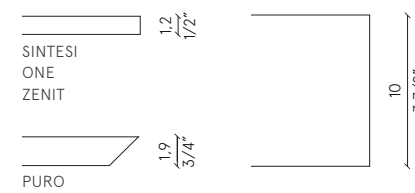
sintetici lucidi | glossy synthetics | synthétiques brilliants | glänzende Synthetische  
 Глянцевые соединения

- milltek gel

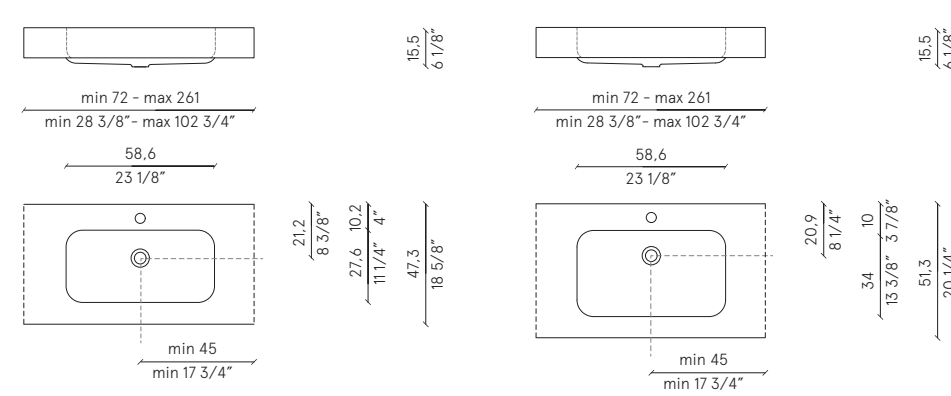
due vasche | two basins | deux vasques | zwei Becken | две раковины  
 L top | W top | L plan | B Platte | Ш столешница

Neat 01 + Neat 01 = min 144 cm | 56 3/4"  
 Neat 02 + Neat 02 = min 144 cm | 56 3/4"

top | plan | Platte | столешница  
 sp. | th. | sp. | Di. | тол.



NEAT 01 | NEAT 02



finiture | finishes | finitions | Oberflächen | отделки  
 sintetici opraci | matt compounds | synthétiques mates | Matt Kunststoff | матовые соединения

- milltek solid
- milltek gel

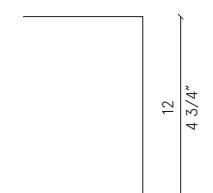
sintetici lucidi | glossy synthetics | synthétiques brilliants | glänzende Synthetische  
 Глянцевые соединения

- milltek gel

due vasche | two basins | deux vasques | zwei Becken | две раковины  
 L top | W top | L plan | B Platte | Ш столешница

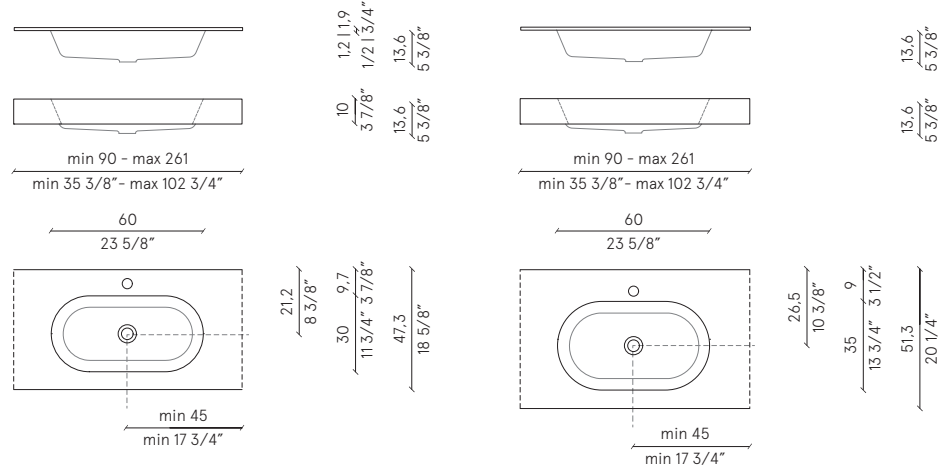
Neat 01 + Neat 01 = min 144 cm | 56 3/4"  
 Neat 02 + Neat 02 = min 144 cm | 56 3/4"

top | plan | Platte | столешница  
 sp. | th. | sp. | Di. | тол.





ROUND 01 | ROUND 02



finiture | finishes | finitions | Oberflächen | отделки  
 sintetici opachi | matt compounds | synthétiques mates | Matt Kunststoff | матовые соединения

milltek solid milltek gel

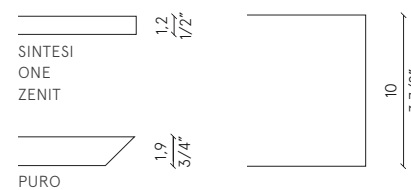
sintetici lucidi | glossy synthetics | synthétiques brilliants | glänzende Synthetische  
 Глянцевые соединения

milltek gel

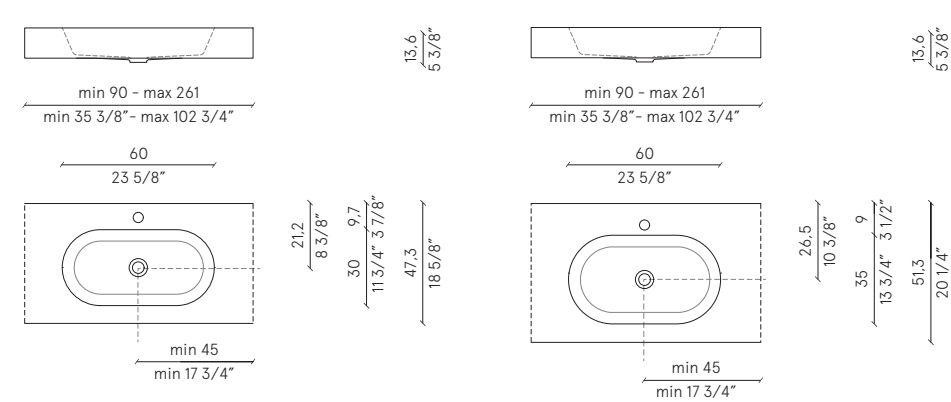
due vasche | two basins | deux vasques | zwei Becken | две раковины  
 L top | W top | L plan | B Platte | Ш столешница

Round 01 + Round 01 = min 180 cm | 70 7/8"  
 Round 02 + Round 02 = min 180 cm | 70 7/8"

top | plan | Platte | столешница  
 sp. | th. | sp. | Di. | тол.



ROUND 01 | ROUND 02



finiture | finishes | finitions | Oberflächen | отделки  
 sintetici opachi | matt compounds | synthétiques mates | Matt Kunststoff | матовые соединения

milltek solid milltek gel

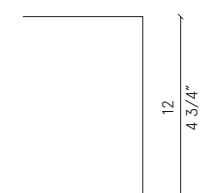
sintetici lucidi | glossy synthetics | synthétiques brilliants | glänzende Synthetische  
 Глянцевые соединения

milltek gel

due vasche | two basins | deux vasques | zwei Becken | две раковины  
 L top | W top | L plan | B Platte | Ш столешница

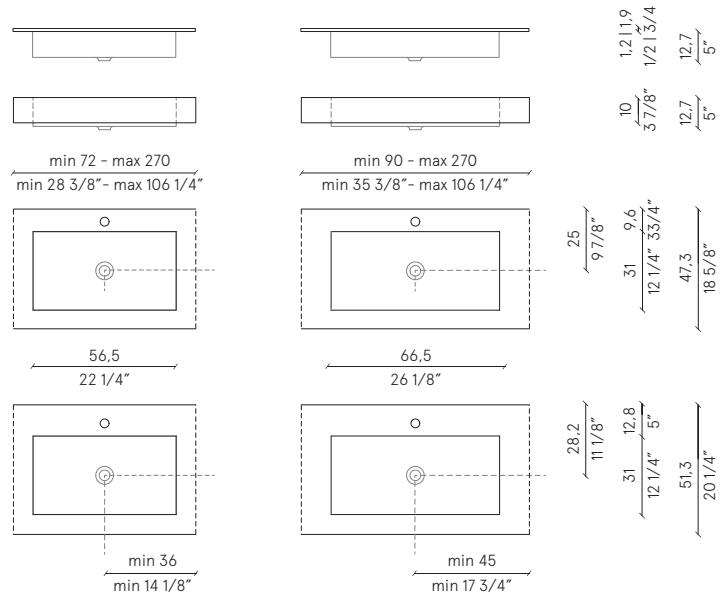
Round 01 + Round 01 = min 180 cm | 70 7/8"  
 Round 02 + Round 02 = min 180 cm | 70 7/8"

top | plan | Platte | столешница  
 sp. | th. | sp. | Di. | тол.





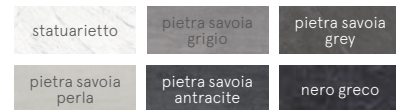
LAND 01 | LAND 02



finiture | finishes | finitions | Oberflächen | отделки  
argille | clays | argiles | Lehm | глины



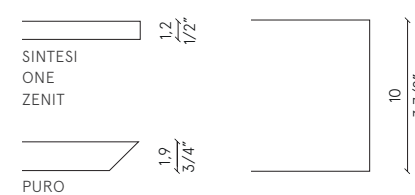
Gres Laminam - PURO escluso | except | sauf | Außer | кроме



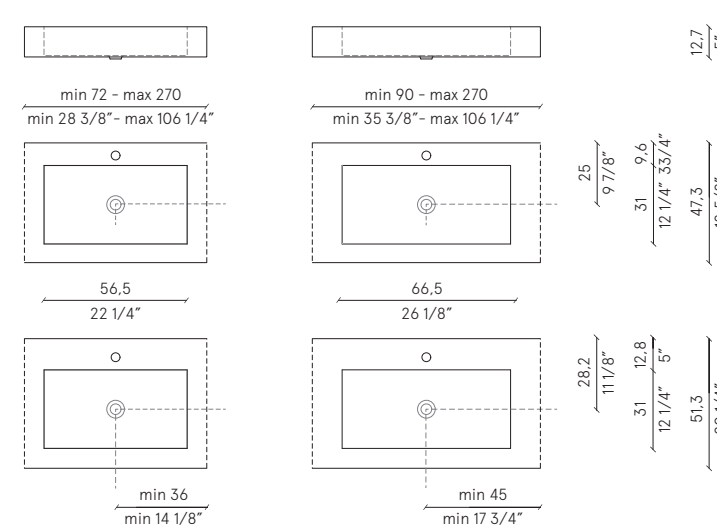
due vasche | two basins | deux vasques | zwei Becken | две раковины  
L top | W top | L plan | B Platte | Ш столешница

Land 01 + Land 01 = min 144 cm | 56 3/4"  
Land 02 + Land 02 = min 180 cm | 70 7/8"

top | plan | Platte | столешница  
sp. | th. | sp. | Di. | тол.



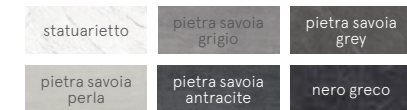
LAND 01 | LAND 02



finiture | finishes | finitions | Oberflächen | отделки  
argille | clays | argiles | Lehm | глины



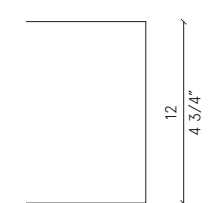
Gres Laminam



due vasche | two basins | deux vasques | zwei Becken | две раковины  
L top | W top | L plan | B Platte | Ш столешница

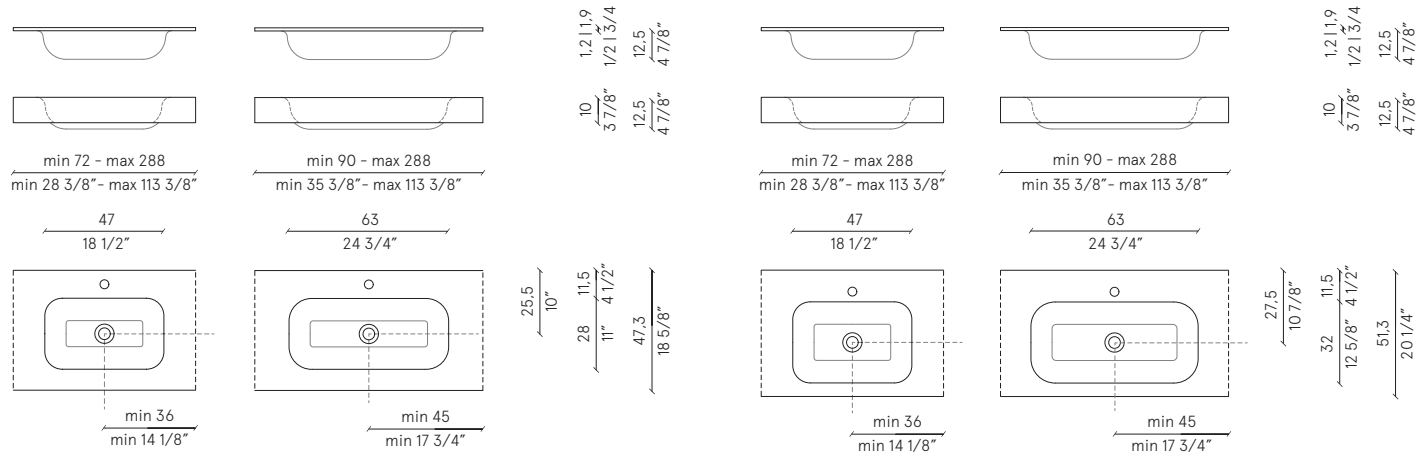
Land 01 + Land 01 = min 144 cm | 56 3/4"  
Land 02 + Land 02 = min 180 cm | 70 7/8"

top | plan | Platte | столешница  
sp. | th. | sp. | Di. | тол.





SPAN 01 | SPAN 02 | SPAN 03 | SPAN 04



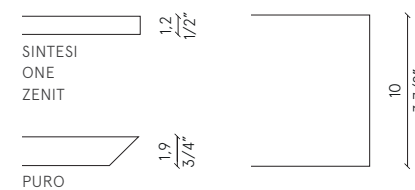
finiture | finishes | finitions | Oberflächen | отделки  
 sintetico opaco | matt synthetic | synthétique mat | Matt Synthetisch | матовое  
 соединение

corian

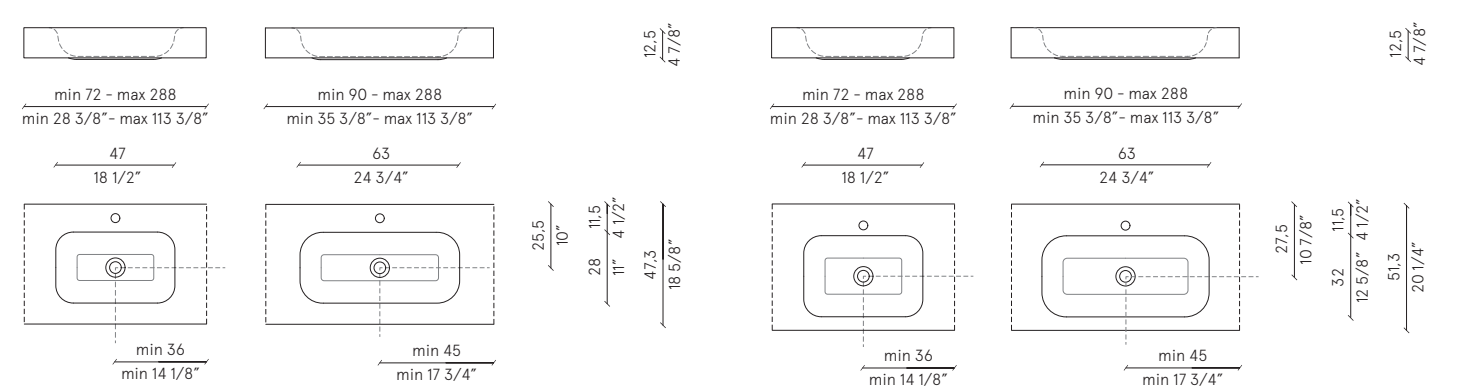
due vasche | two basins | deux vasques | zwei Becken | две раковины  
 L top | W top | L plan | B Platte | Ш столешница

Span 01 + Span 01 = min 144 cm | 56 3/4"  
 Span 02 + Span 02 = min 180 cm | 70 7/8"  
 Span 03 + Span 03 = min 144 cm | 56 3/4"  
 Span 04 + Span 04 = min 180 cm | 70 7/8"

top | plan | Platte | столешница  
 sp. lth. | sp. | Di. | тол.



SPAN 01 | SPAN 02 | SPAN 03 | SPAN 04



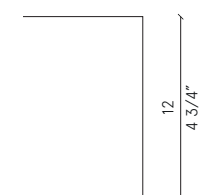
finiture | finishes | finitions | Oberflächen | отделки  
 sintetico opaco | matt synthetic | synthétique mat | Matt Synthetisch | матовое  
 соединение

corian

due vasche | two basins | deux vasques | zwei Becken | две раковины  
 L top | W top | L plan | B Platte | Ш столешница

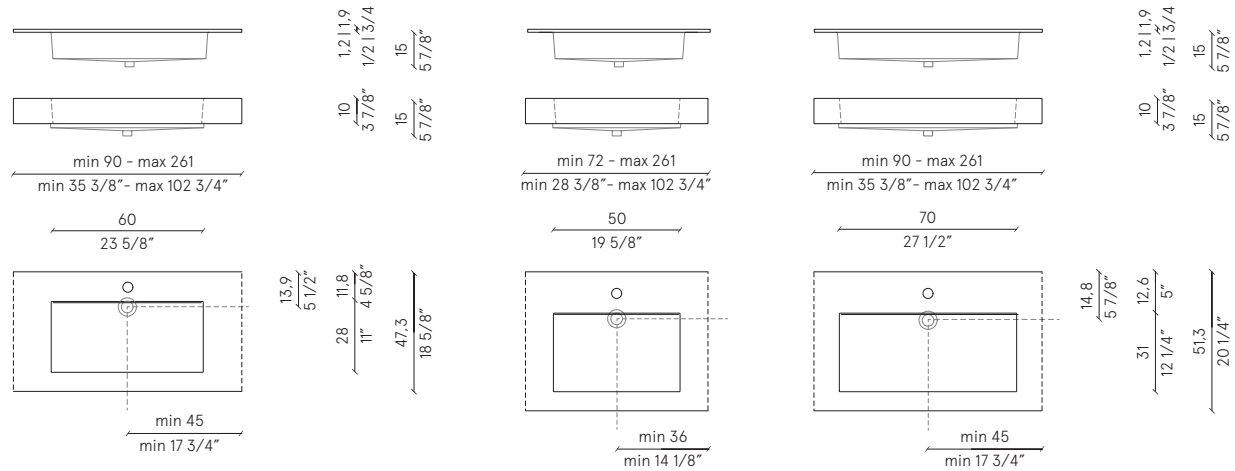
Span 01 + Span 01 = min 144 cm | 56 3/4"  
 Span 02 + Span 02 = min 180 cm | 70 7/8"  
 Span 03 + Span 03 = min 144 cm | 56 3/4"  
 Span 04 + Span 04 = min 180 cm | 70 7/8"

top | plan | Platte | столешница  
 sp. lth. | sp. | Di. | тол.





STILL 01 | STILL 02 | STILL 04



finiture | finishes | finitions | Oberflächen | отделки  
 sintetici opachi | matt compounds | synthétiques mates | Matt Kunststoff | матовые соединения

- milltek solid
- milltek gel
- milltek solid**

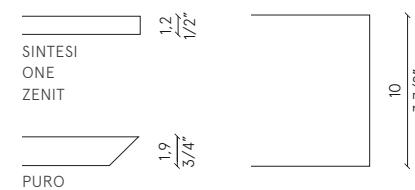
sintetici lucidi | glossy synthetics | synthétiques brilliants | glänzende Synthetische  
 Глянцевые соединения

- milltek gel

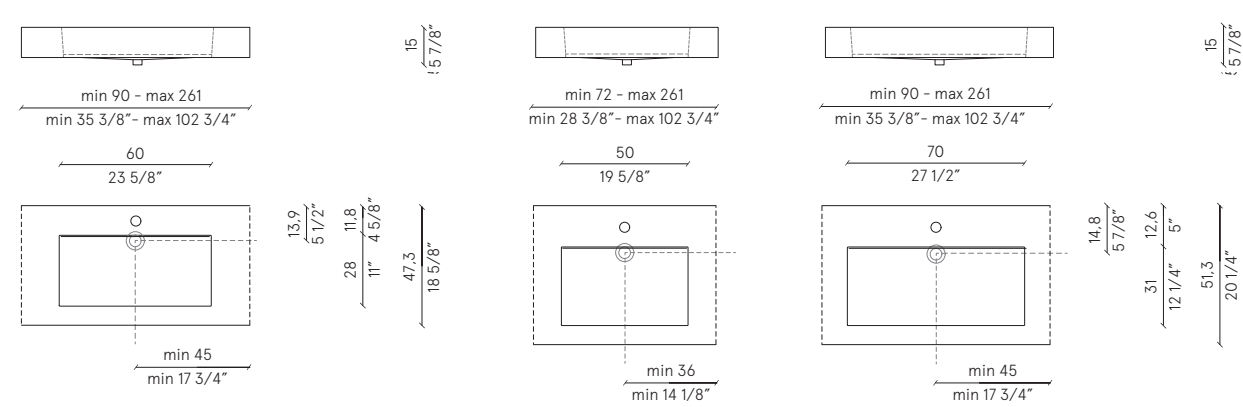
due vasche | two basins | deux vasques | zwei Becken | две раковины  
 L top | W top | L plan | B Platte | Ш столешница

Still 01 + Still 01 = min 180 cm | 70 7/8"  
 Still 02 + Still 02 = min 144 cm | 56 3/4"  
 Still 04 + Still 04 = min 180 cm | 70 7/8"

top | plan | Platte | столешница  
 sp. | th. | sp. | Di. | тол.



STILL 01 | STILL 02 | STILL 04



finiture | finishes | finitions | Oberflächen | отделки  
 sintetici opachi | matt compounds | synthétiques mates | Matt Kunststoff | матовые соединения

- milltek solid
- milltek gel
- milltek solid**

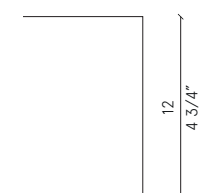
sintetici lucidi | glossy synthetics | synthétiques brilliants | glänzende Synthetische  
 Глянцевые соединения

- milltek gel

due vasche | two basins | deux vasques | zwei Becken | две раковины  
 L top | W top | L plan | B Platte | Ш столешница

Still 01 + Still 01 = min 180 cm | 70 7/8"  
 Still 02 + Still 02 = min 144 cm | 56 3/4"  
 Still 04 + Still 04 = min 180 cm | 70 7/8"

top | plan | Platte | столешница  
 sp. | th. | sp. | Di. | тол.

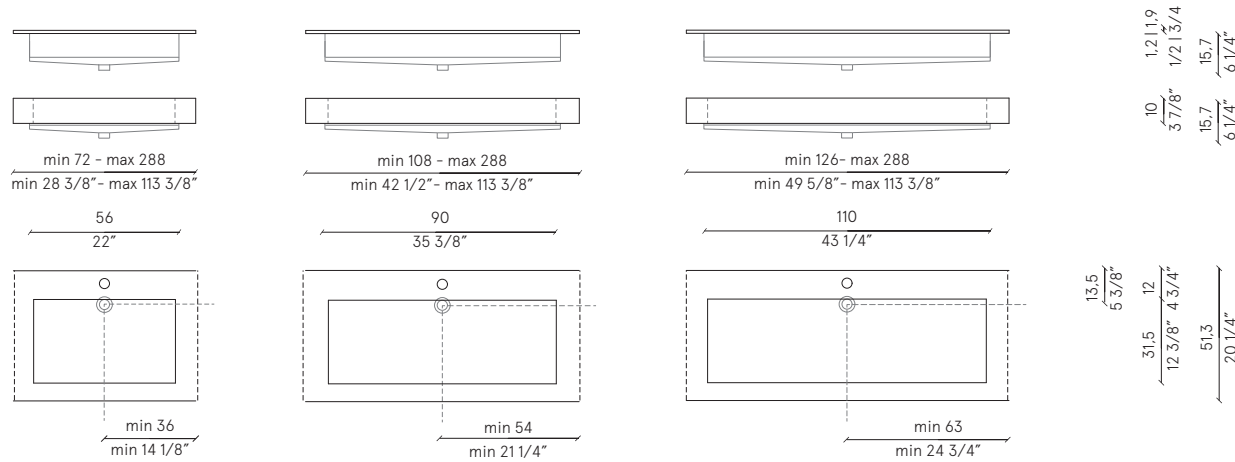






design Lino Codato

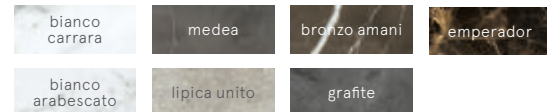
NEXT 56 | NEXT 90 | NEXT 110



finiture | finishes | finitions | Oberflächen | отделки  
 sintetico opaco | matt synthetic | synthétique mat | Matt Synthetisch | матовый соединение

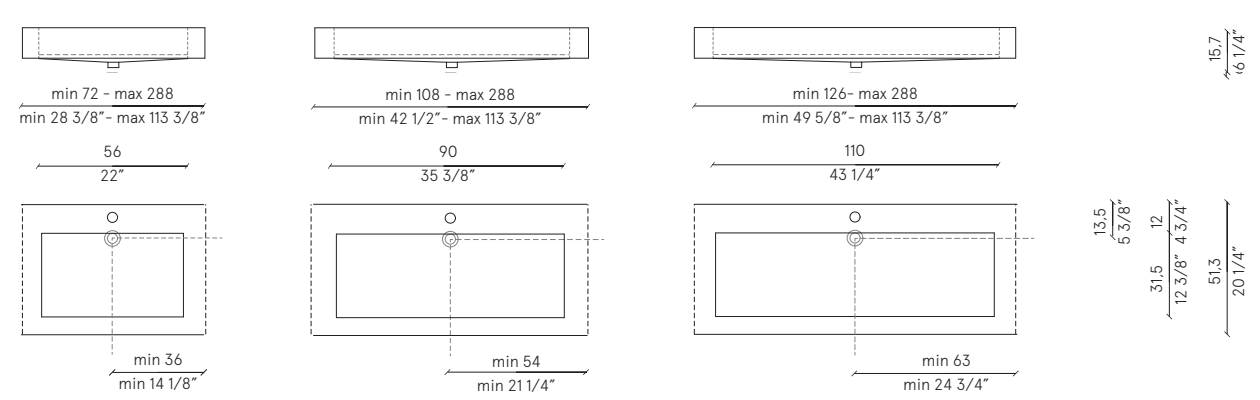
corian

marmo opaco | matt marble | marbre mat | Matt Marmor | матовый мрамор



design Lino Codato

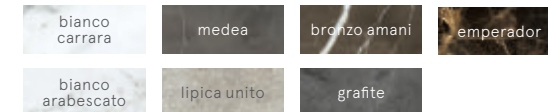
NEXT 56 | NEXT 90 | NEXT 110



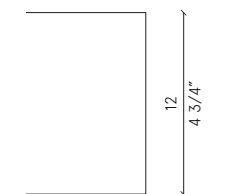
finiture | finishes | finitions | Oberflächen | отделки  
 sintetico opaco | matt synthetic | synthétique mat | Matt Synthetisch | матовый соединение

corian

marmo opaco | matt marble | marbre mat | Matt Marmor | матовый мрамор



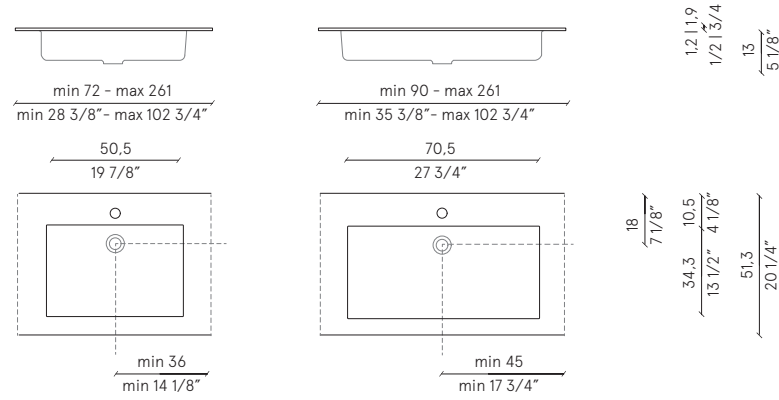
due vasche | two basins | deux vasques | zwei Becken | две раковины  
 L top | W top | L plan | B Platte | Ш столешница  
 sp. | th. | sp. | Di. | тол.





design Giuseppe Bavuso

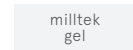
HORIZON 50 | HORIZON 70



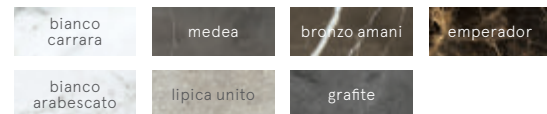
finiture | finishes | finitions | Oberflächen | отделки  
 sintetici opachi | matt compounds | synthétiques mates | Matt Kunststoff | матовые соединения



sintetici lucidi | glossy synthetics | synthétiques brilliants | glänzende Synthetische  
 Глянцевые соединения



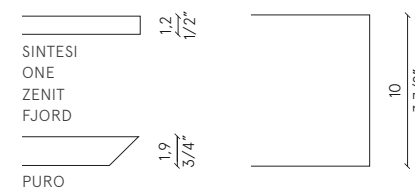
marmo opaco | matt marble | marbre mat | Matt Marmor | матовый мрамор



due vasche | two basins | deux vasques | zwei Becken | две раковины  
 L top | W top | L plan | B Platte | Ш столешница

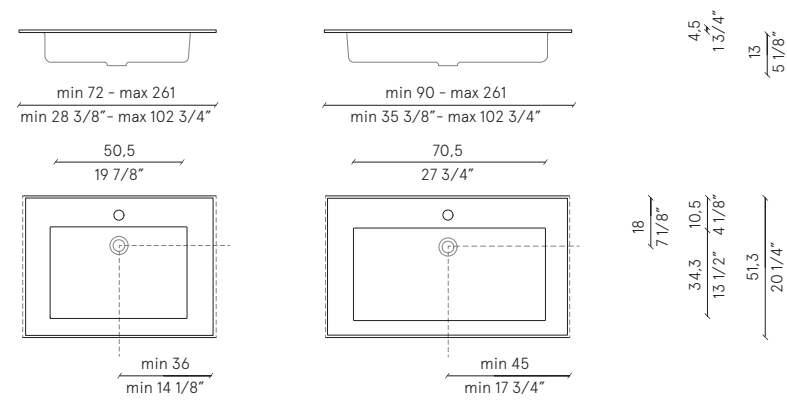
Horizon 50 + Horizon 50 = min 144 cm | 56 3/4"  
 Horizon 70 + Horizon 70 = min 180 cm | 70 7/8"

top | plan | Platte | столешница  
 sp. | th. | sp. | Di. | тол.

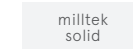


design Giuseppe Bavuso

FINN 50 | FINN 70



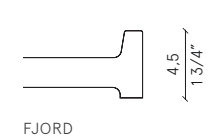
finiture | finishes | finitions | Oberflächen | отделки  
 sintetico opaco | matt synthetic | synthétique mat | Matt Synthetisch | матовое соединение



due vasche | two basins | deux vasques | zwei Becken | две раковины  
 L top | W top | L plan | B Platte | Ш столешница

Finn 50 + Finn 50 = min 144 cm | 56 3/4"  
 Finn 70 + Finn 70 = min 180 cm | 70 7/8"

top | plan | Platte | столешница  
 sp. | th. | sp. | Di. | тол.

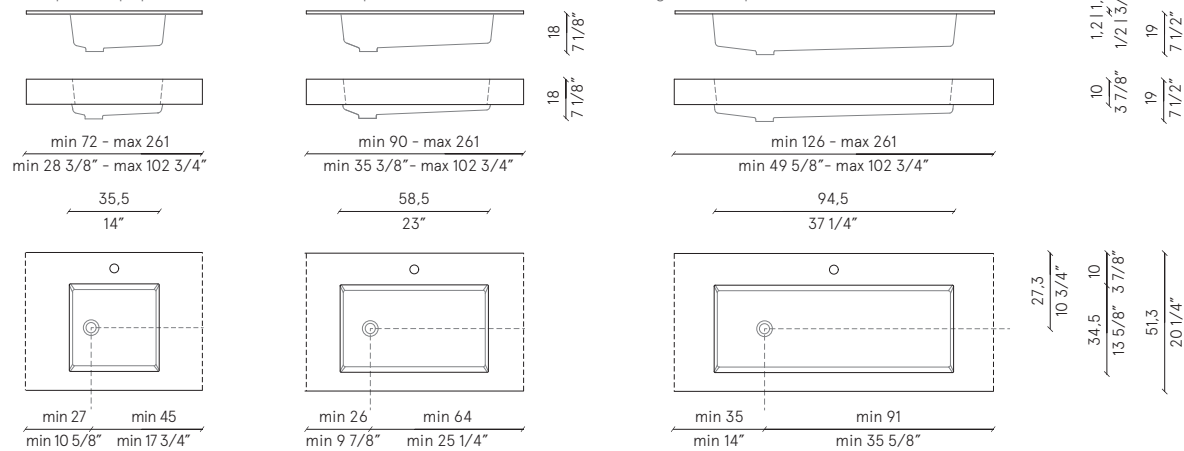




design Michele Marcon

DIP 35 | DIP 58 | DIP 94

con piano copripiletta | with drain cover | avec plan cache-bond | mit Abfluss Abdeckung | плоская крышка слива



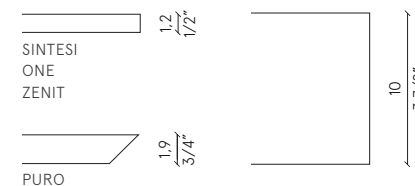
finiture | finishes | finitions | Oberflächen | отделки  
 sintetico opaco | matt synthetic | synthétique mat | Matt Synthetisch | матовое  
 соединение

milltek  
 solid

due vasche | two basins | deux vasques | zwei Becken | две раковины  
 L top | W top | L plan | B Platte | Ш столешница

Dip 35 + Dip 35 = min 108 cm | 42 1/2"  
 Dip 58 + Dip 58 = min 144 cm | 56 3/4"  
 Dip 94 + Dip 94 = min 252 cm | 99 1/4"

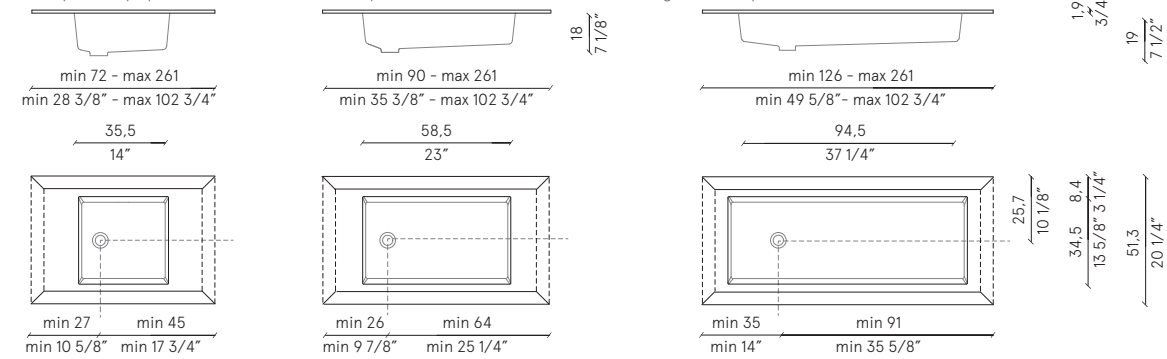
top | plan | Platte | столешница  
 sp. | th. | sp. | Di. | тол.



design Michele Marcon

TRAY 35 | TRAY 58 | TRAY 94

con piano copripiletta | with drain cover | avec plan cache-bond | mit Abfluss Abdeckung | плоская крышка слива



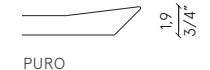
finiture | finishes | finitions | Oberflächen | отделки  
 sintetico opaco | matt synthetic | synthétique mat | Matt Synthetisch | матовое  
 соединение

milltek  
 solid

due vasche | two basins | deux vasques | zwei Becken | две раковины  
 L top | W top | L plan | B Platte | Ш столешница

Tray 35 + Tray 35 = min 108 cm | 42 1/2"  
 Tray 58 + Tray 58 = min 144 cm | 56 7/8"  
 Tray 94 + Tray 94 = min 252 cm | 99 1/4"

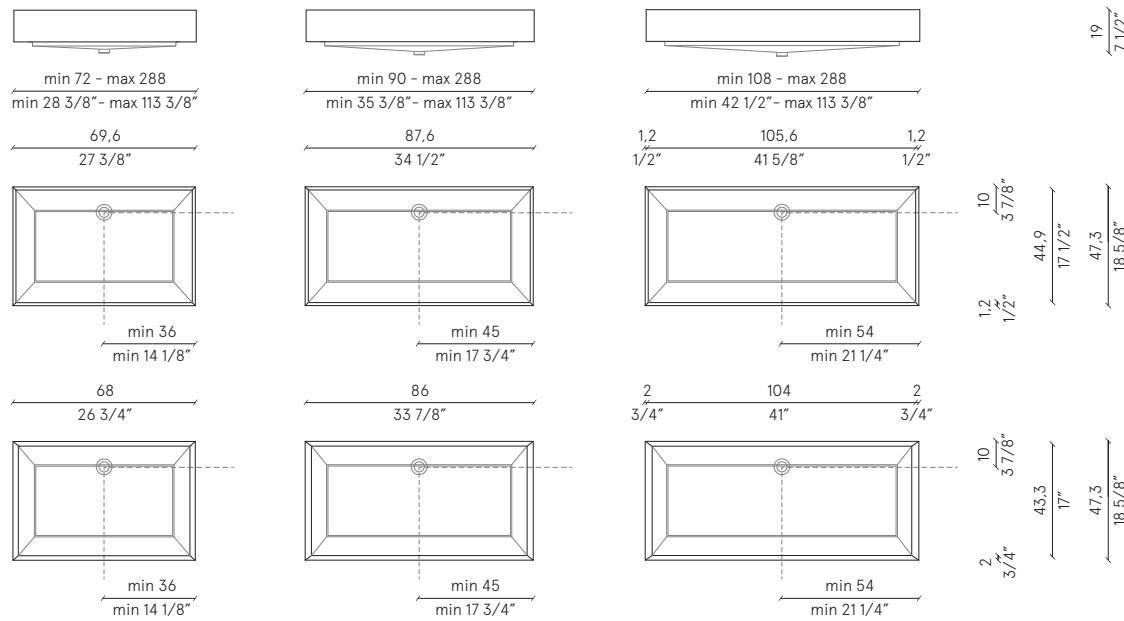
top | plan | Platte | столешница  
 sp. | th. | sp. | Di. | тол.





design Michele Marcon

WHOLE 72 | WHOLE 90 | WHOLE 108



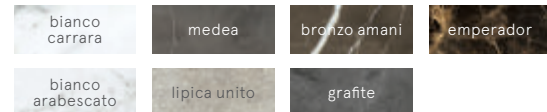
corian

marmo opachi  
matt marbles  
marbres mates  
matt Marmor  
матовые мраморы

finiture | finishes | fnitions | Oberflächen | отделки  
sintetico opaco | matt synthetic | synthétique mat | Matt Synthetisch | матовое  
соединение

corian

marmo opaco | matt marble | marbre mat | Matt Marmor | матовый мрамор



due vasche | two basins | deux vasques | zwei Becken | две раковины  
L top | W top | L plan | B Platte | Ш столешница

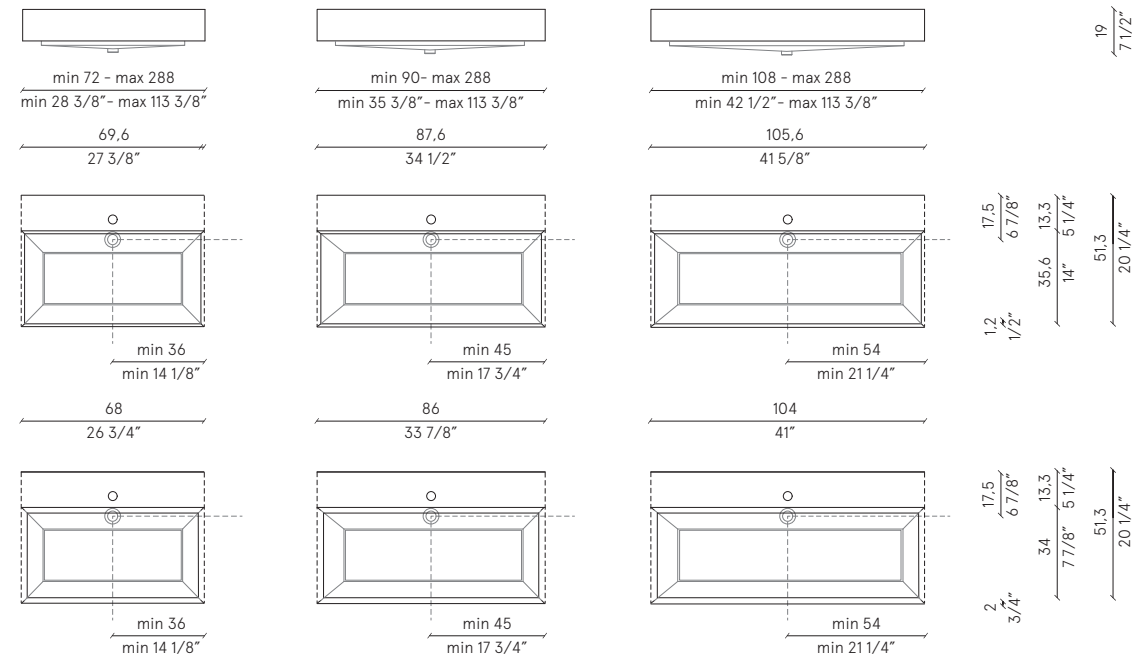
Whole 72 + Whole 72 = min 144 cm | 56 3/4"  
Whole 90 + Whole 90 = min 180 cm | 70 7/8"  
Whole 108 + Whole 108 = min 216 cm | 85"

top | plan | Platte | столешница  
sp. | th. | sp. | Di. | тол.

SINTESI  
ZENIT

design Michele Marcon

HEIGHT 72 | HEIGHT 90 | HEIGHT 108



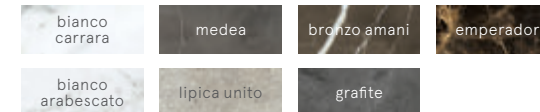
corian

marmo opachi  
matt marbles  
marbres mates  
matt Marmor  
матовые мраморы

finiture | finishes | fnitions | Oberflächen | отделки  
sintetico opaco | matt synthetic | synthétique mat | Matt Synthetisch | матовое  
соединение

corian

marmo opaco | matt marble | marbre mat | Matt Marmor | матовый мрамор



due vasche | two basins | deux vasques | zwei Becken | две раковины  
L top | W top | L plan | B Platte | Ш столешница

Height 72 + Height 72 = min 144 cm | 56 3/4"  
Height 90 + Height 90 = min 180 cm | 70 7/8"  
Height 108 + Height 108 = min 216 cm | 85"

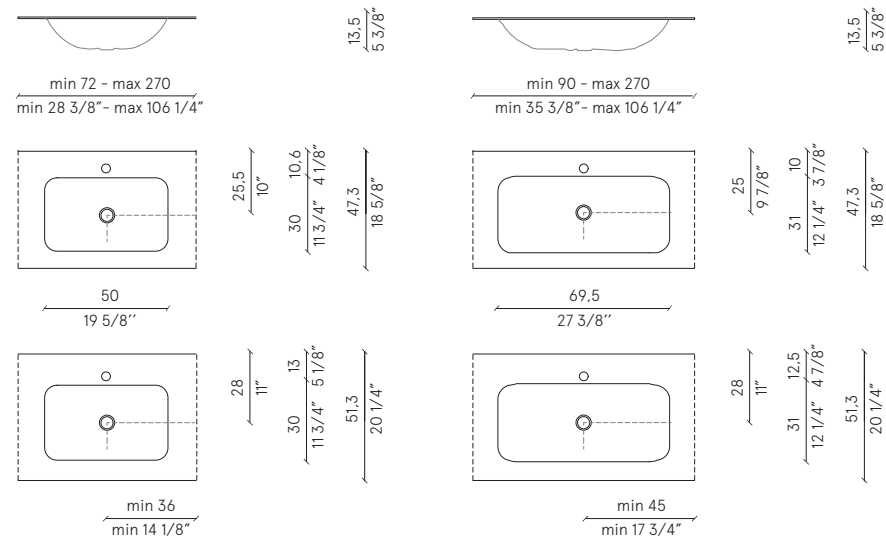
top | plan | Platte | столешница  
sp. | th. | sp. | Di. | тол.

SINTESI  
ONE  
ZENIT

PURO



BRILLIANT g04 | BRILLIANT g05



finiture | finishes | finitions | Oberflächen | отделки  
vetri | glasses | verres | Gläser | стекла

22 colours

due vasche | two basins | deux vasques | zwei Becken | две раковины  
L top | W top | L plan | B Platte | Ш столешница

Brilliant g04 + Brilliant g04 = min 144 cm | 56 7/8"  
Brilliant g05 + Brilliant g05 = min 180 cm | 70 7/8"

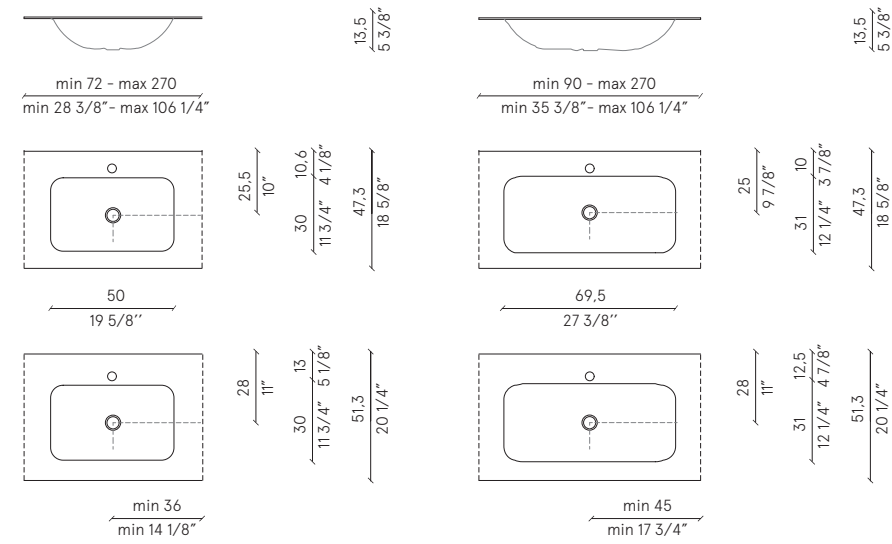
top | plan | Platte | столешница  
sp. | th. | sp. | Di. | тол.

SINTESI  
ONE  
ZENIT

PURO



BRILLIANT m04 | BRILLIANT m05



finiture | finishes | finitions | Oberflächen | отделки  
vetro satinato | satin glass | verre satiné | Milchglas | сатирированное стекло

22 colours

due vasche | two basins | deux vasques | zwei Becken | две раковины  
L top | W top | L plan | B Platte | Ш столешница

Brilliant m04 + Brilliant m04 = min 144 cm | 56 7/8"  
Brilliant m05 + Brilliant m05 = min 180 cm | 70 7/8"

top | plan | Platte | столешница  
sp. | th. | sp. | Di. | тол.

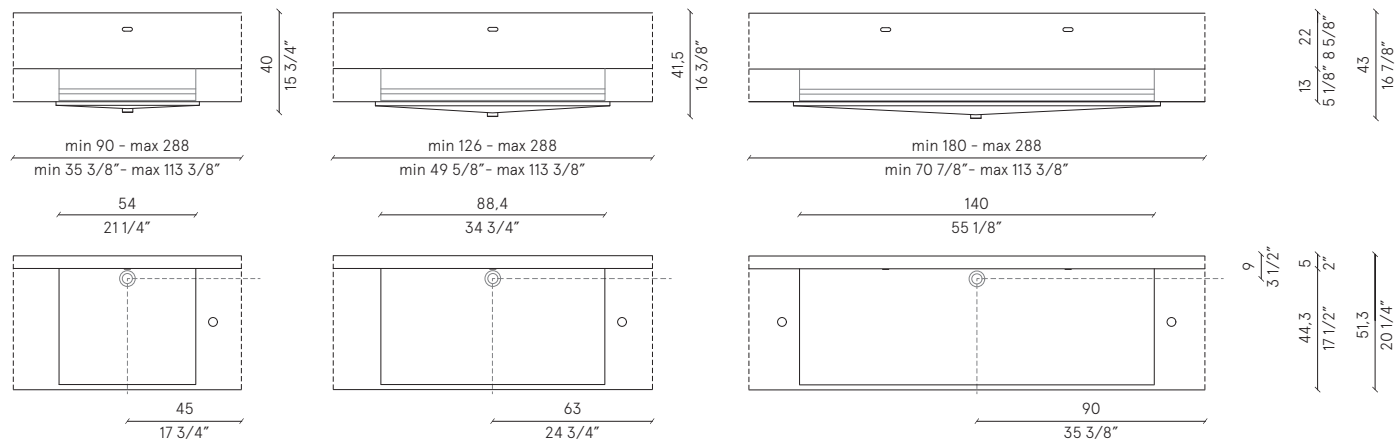
SINTESI  
ONE  
ZENIT

PURO



design Michele Marcon

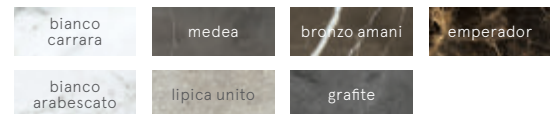
STRICT 54 | STRICT 88 | STRICT 140



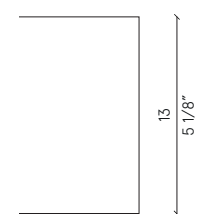
finiture | finishes | finitions | Oberflächen | отделки  
 sintetico opaco | matt synthetic | synthétique mat | Matt Synthetisch | матовое соединение

corian

marmo opaco | matt marble | marbre mat | Matt Marmor | матовый мрамор

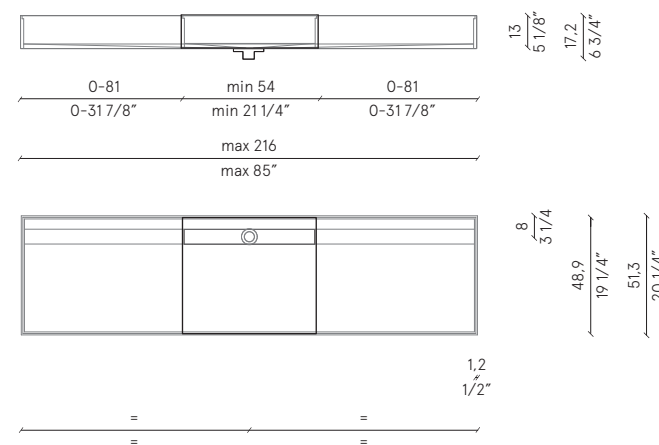


top | plan | Platte | столешница  
 sp. | th. | sp. | Di. | тол.



design Michele Marcon

UNIQUE 54 - 216



finiture | finishes | finitions | Oberflächen | отделки  
 sintetico opaco | matt synthetic | synthétique mat | Matt Synthetisch | матовое соединение

corian

top | plan | Platte | столешница  
 sp. | th. | sp. | Di. | тол.

