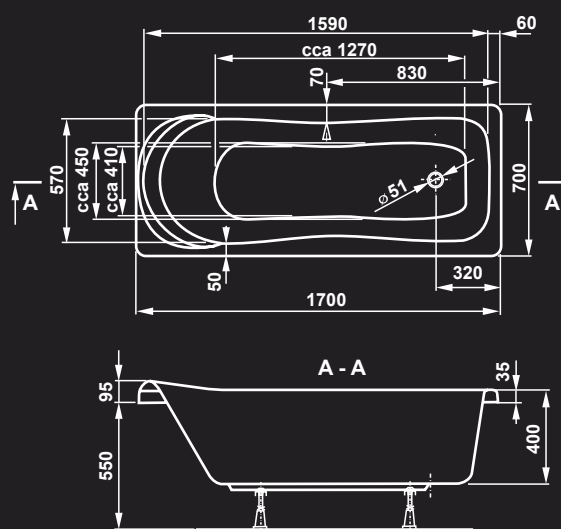




 **VAGNERPLAST®**

www.vagnerplast.cz

PENELOPÉ



b
a
s
i
c
i
l
i
n
e



TECHNICAL INFORMATIONS

DIMENSION	VOLUME	CODE
1700 x 700 x 400	200 l	VPBA177PEN2E-01/NO

ACCESSORIES:

PANEL FRONT

1700 x 550	VPPA17002FP2-01/DR
------------	--------------------

PANEL SIDE

700 x 550	VPPA07002EP2-01/DR
-----------	--------------------