

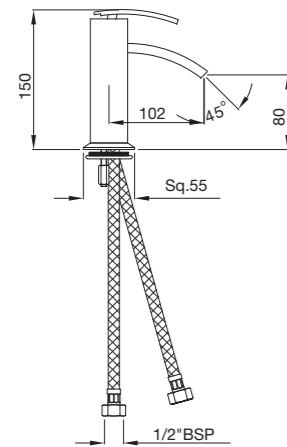
## XQUISITE | Faucets

Parallel curves, and the modern, geometric design of Xquisite make it, well, exquisite. The strong, straight lines are broken by the soft curving shapes, and this contrast creates a singular, appealing form.



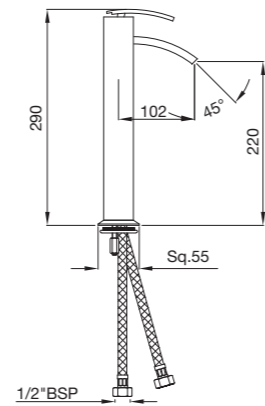
**XQU-43011B**

Single Lever Basin Mixer without Popup Waste System with 450mm Long Braided Hoses.  
 flow rate: 6.29 l/min\*  
 Also available  
**XQU-43051B** with Popup Waste System



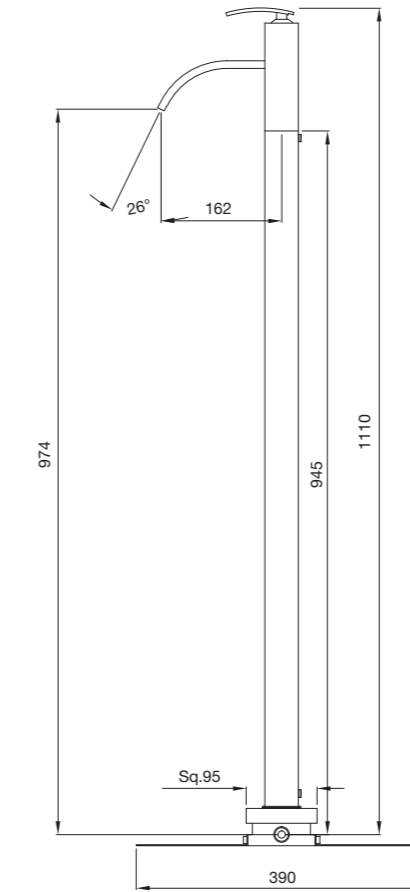
**XQU-43009B**

Single Lever Tall Boy with 140mm Extension Body Fixed Spout without  
 Popup Waste System with 600mm Long Braided Hoses  
 flow rate: 6.23 l/min\*



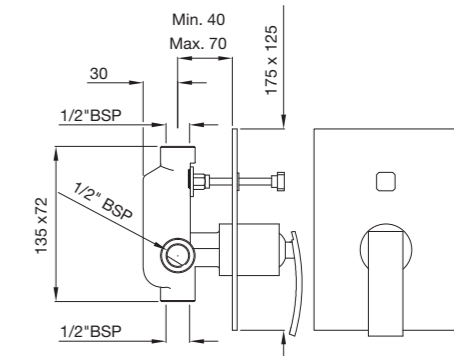
**XQU-43027**

Free-standing Single Lever Basin Mixer  
 flow rate: 7.16 l/min\*



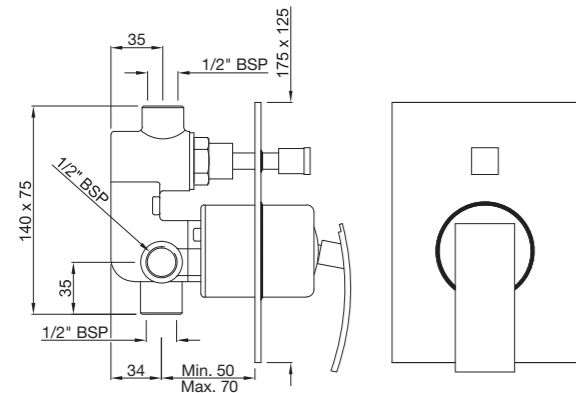
**XQU-43065**

Single Lever Concealed Divertor for Bath & Shower Mixer with Button  
 Assembly on Upper Side  
 flow rate: 31.03 l/min\*



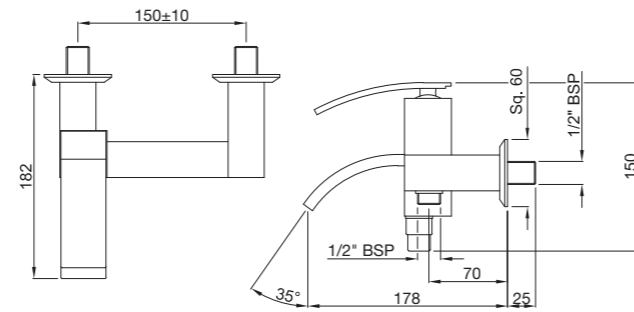
**XQU-43079**

Single Lever High Flow Concealed Divertor for Bath & Shower  
flow rate: 50.62 l/min\*



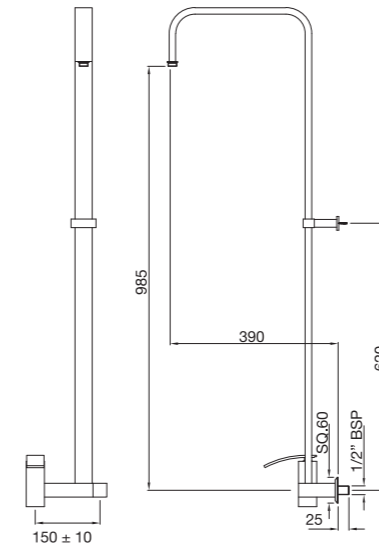
**XQU-43119**

Single Lever Wall Mixer with Provision for Hand Shower but without Hand Shower  
flow rate: 19.50 l/min\*



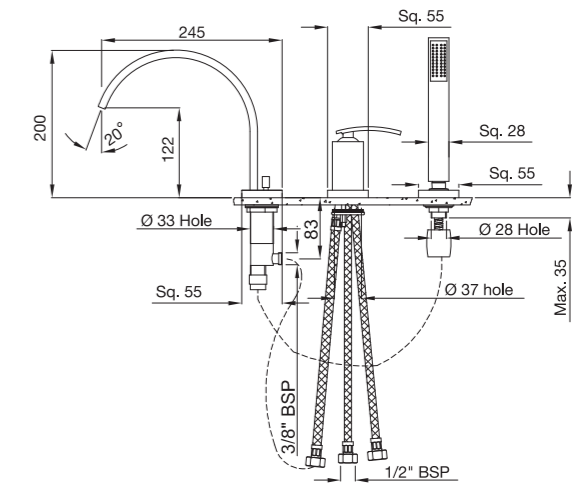
**XQU-43159**

Single Lever Exposed Shower Mixer with Shower Pipe but without Overhead Shower

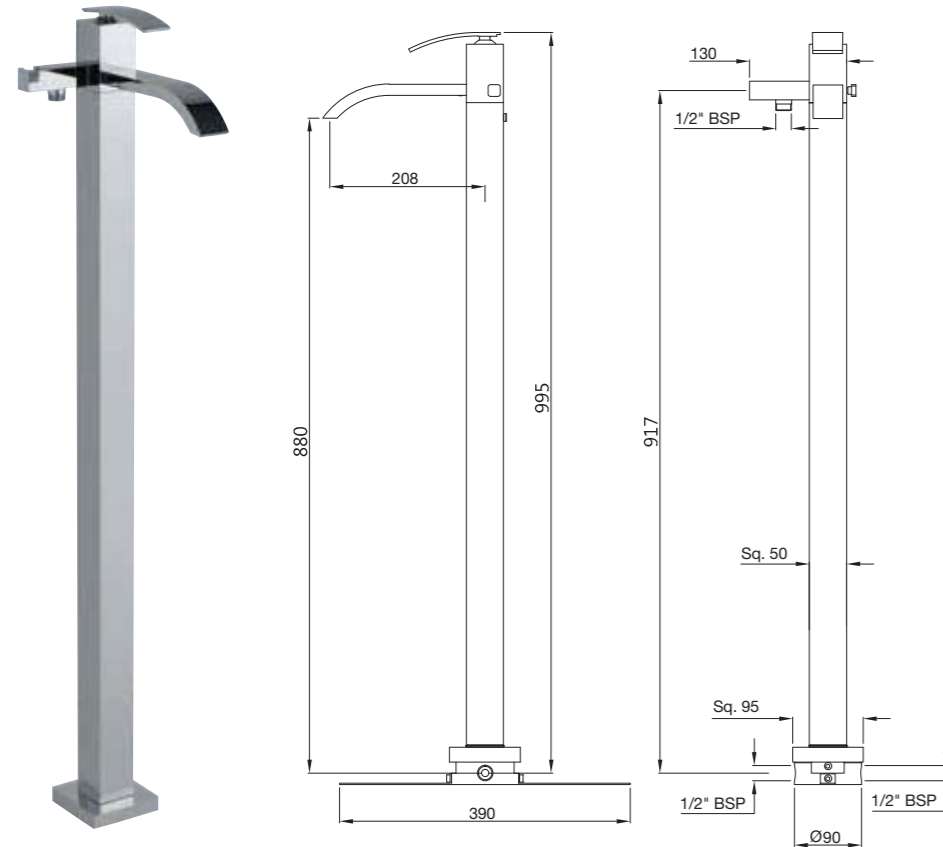


**XQU-43277**

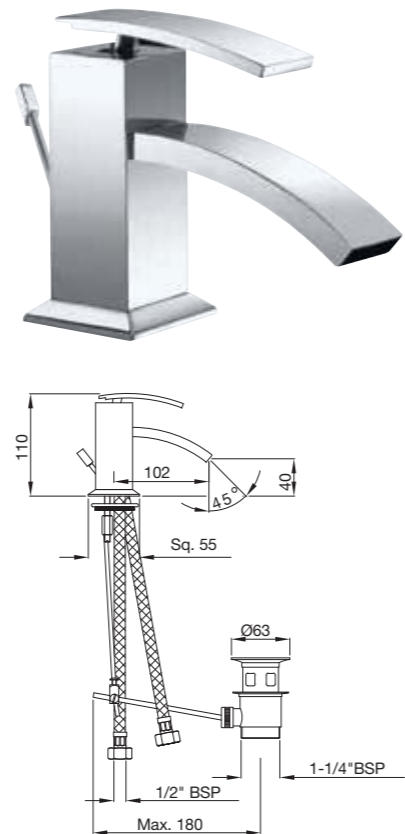
Single Lever 3 Hole Bath Tub mixer Consisting of Spout, Hand Shower & Divertor  
flow rate: 18.98 l/min\*



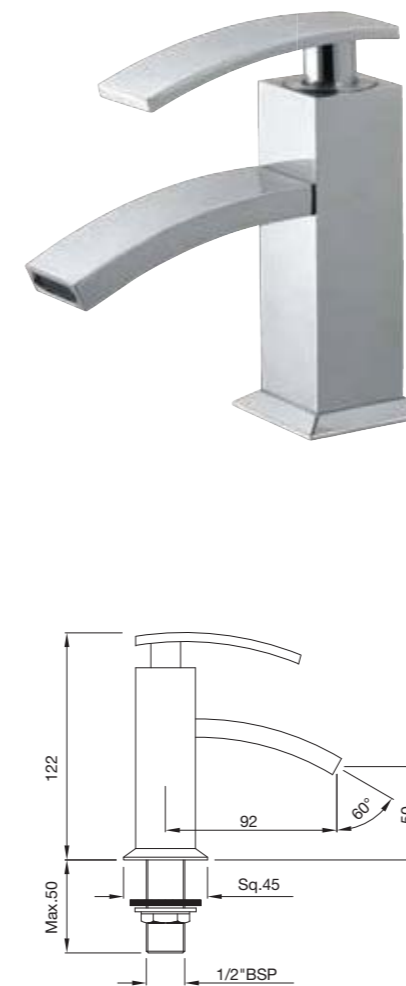
**XQU-43121**  
 Floor Mounted Single Lever Bath Mixer with Provision for Hand Shower  
 flow rate: 16.30 l/min\*



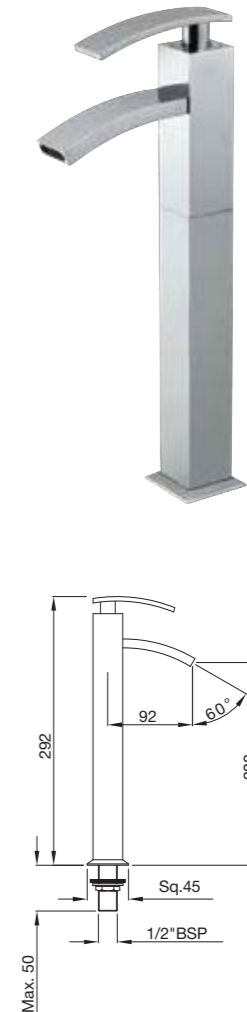
**XQU-43213B**  
 Single Lever 1-Hole Bidet Mixer with Popup Waste System with 375mm Long Braided Hoses  
 flow rate: 6.30 l/min\*



**XQU-43001**  
 Pillar Cock with Base Flange  
 flow rate: 6.73 l/min\*

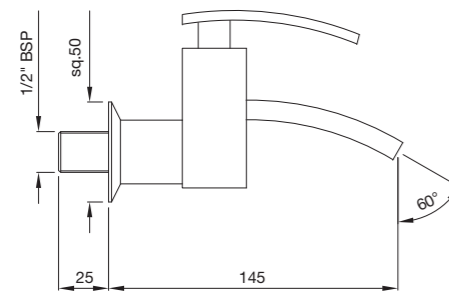


**XQU-43021**  
 Pillar Cock with 170mm Extension Body & Base Flange  
 flow rate: 6.85 l/min\*



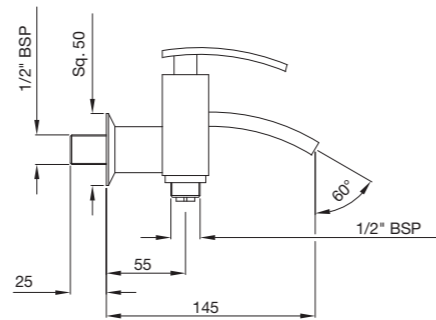
**XQU-43037**

Bib Cock with Wall Flange  
flow rate: 6.97 l/min\*



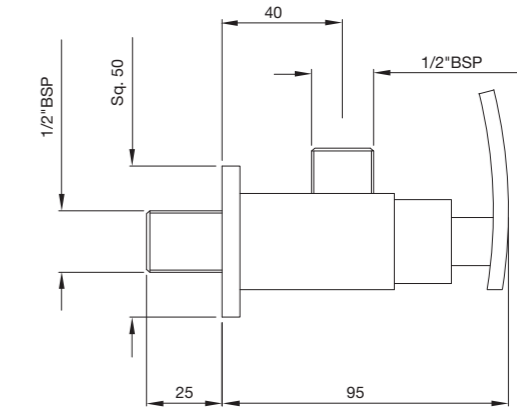
**XQU-43041**

2 Way Bib Cock with Wall Flange  
flow rate: 7.04 l/min\*



**XQU-43053**

Angular Stop Cock with Wall Flange  
flow rate: 47.00 l/min\*



\*at 3 bar pressure

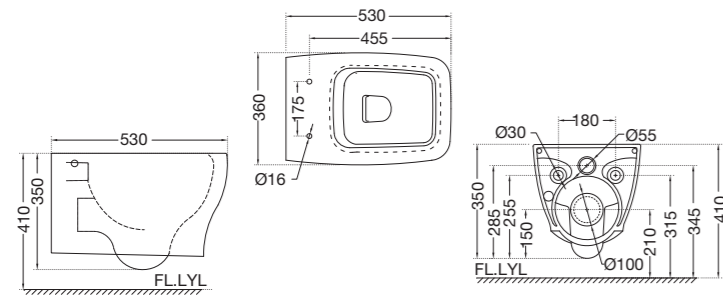
## XQUISITE | Ceramics

The delicate curvature, and soft edges of Xquisite promise luxury, and fine living. Subtly, and fine detail create an atmosphere of indulgence.



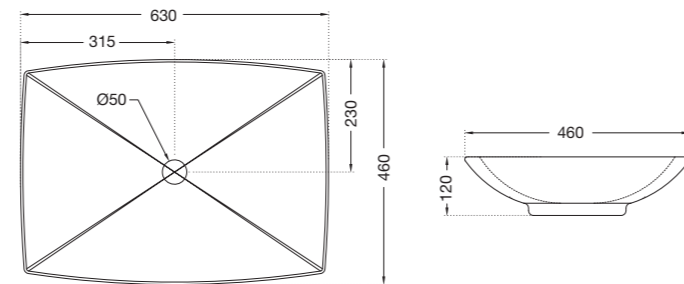
**XQS-WHT-43951**

Wall Hung - WC with UF soft close seat cover; Hinges, Accessories Set,  
Size: 360 x 530 x 350 mm



**XQS-WHT-43901**

Table Top Basin,  
Size: 630 x 460 x 120 mm



**XQS-WHT-43801**

Wall Hung Basin with Fixing Accessories  
Size: 700 x 480 x 185 mm

